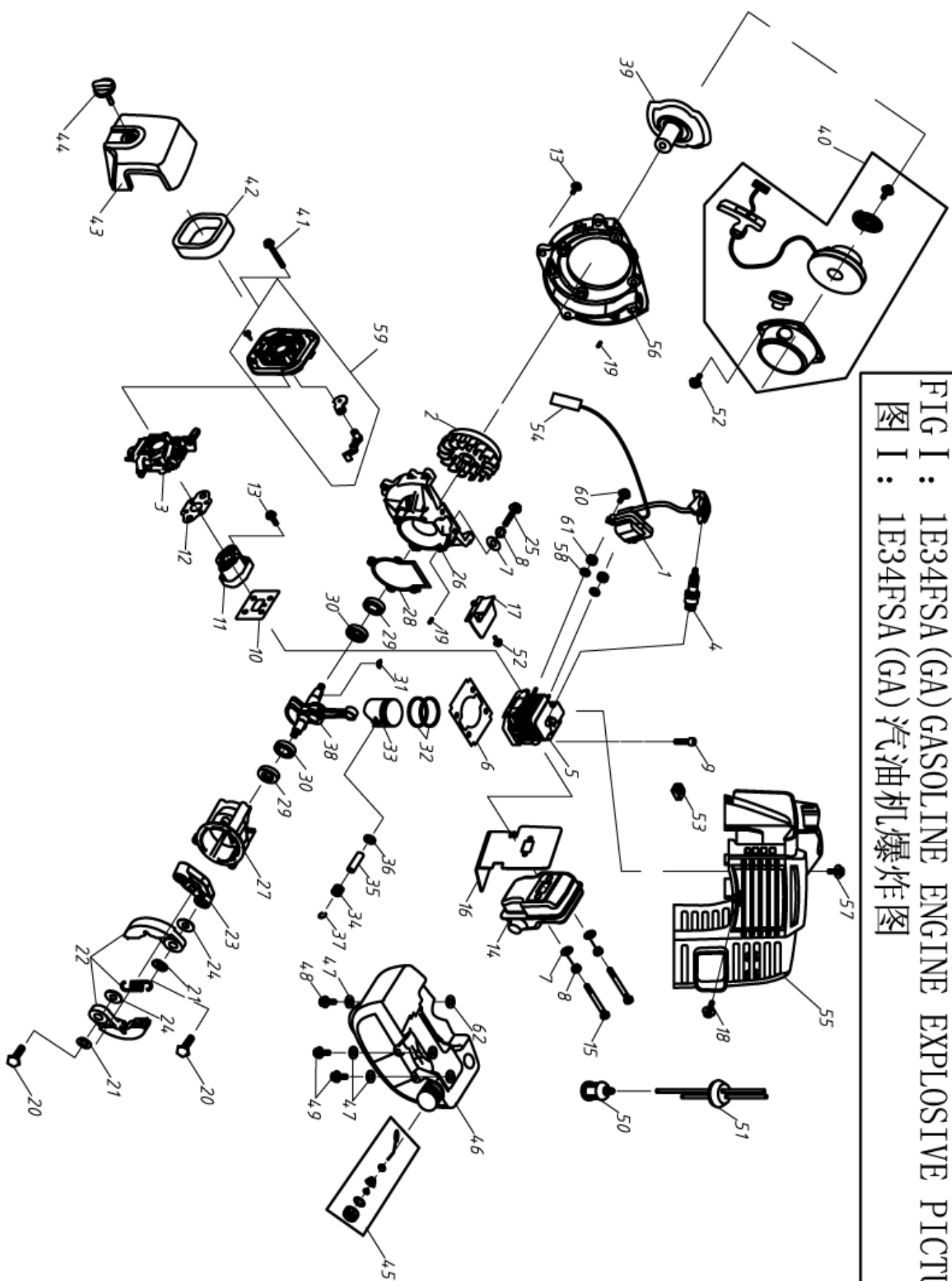


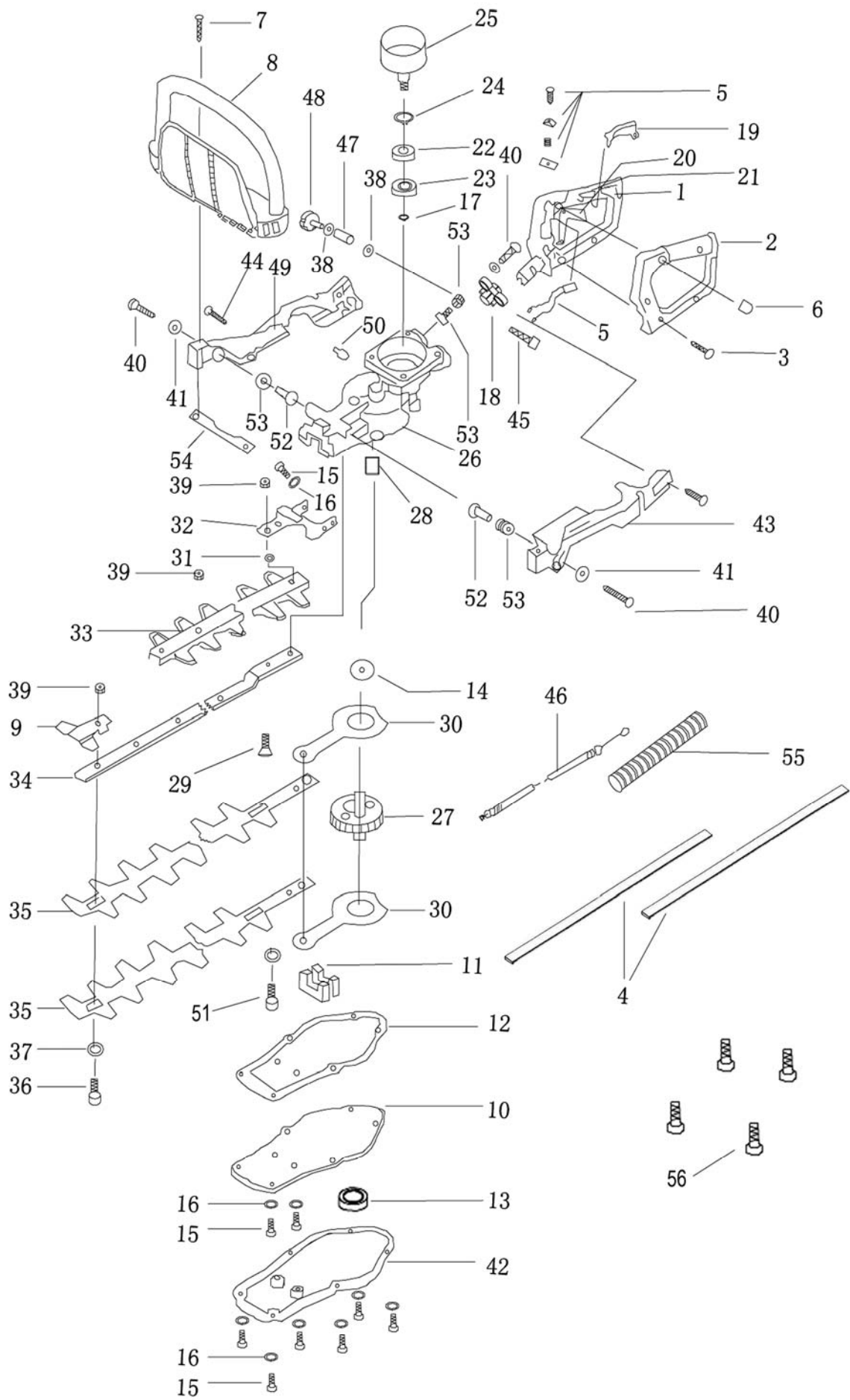
FIG I : 1E34FSA (GA) GASOLINE ENGINE EXPLOSIVE PICTURE
图 I : 1E34FSA (GA) 汽油机爆炸图



SL720A (GA) (SL720A(GA) Parts List)

序号	新ERP编码	ERP编码	名称	Part Name	数量
Ser. NO.	NEW Erp NO.	Erp NO.			Qty
1-1	02050030124	9319	磁电机定子(奥鑫)	magneto stater	1
1-2	02050030032	5399	磁电机转子(余姚)	magneto rotor	1
1-3	02050020014	5378	化油器	carburetor	1
1-4	03130010013	3480	火花塞 E1001 7311A	spark plug	1
1-5	70070130032	9317	缸体(成品)	cylinder	1
1-6	02070010032	0501	缸体密封垫	sealing washer	1
1-7	03040020020	6536	平垫GB97白色	spring washer	6
1-8	3050010015	7813	弹垫GB93白色	spring washer	6
1-9	03010010062	5711	内六角组合(非标)白色	scrow	4
1-10	02070010019	0503	缸体侧密封垫	cylinder side washer	1
1-11	70030020016	0741	进气管(进气管部件)	inlet mag	1
1-12	02070010071	0518	化油器密封垫	Carburetor side washer	1
1-13	03020020012	1848	螺钉组合 GB9074.4白色	screw assem	6
1-14	02050010015	0506	消音器	muffler	1
1-15	03010010063	4247	内六角螺钉GB70白色	screw assem	2
1-16	02070010162	0502	消音器密封垫	muffler washer	1
1-17	70030030164	0448	导风板	plate	1
1-18	03020020055	4265	螺钉组合 GB9074.4 白色	screw	1
1-19	03060010002	4567	定位销 GB119	orientation pin	4
1-20	02020130001	0510	螺钉轴	cluch step screw	2
1-21	03040050042	4548	波型垫圈	cluch washer	2
1-22	02050160002	2492	涨紧块组合	clutch shoe comp	1
1-23	70070080018	6667	涨紧块座	cluch shoe seat	1
1-24	03040050052	4500	钢平垫	plat washer	2
1-25	03010010010	1164	内六方螺钉GB70白色	Screw	4
1-26	70070050039	0492	前半曲轴箱	front half crankcase	1
1-27	70070050022	8562	后半曲轴箱	rear half crankcase	1
1-28	02070010119	0505	曲轴箱密封垫	crankcase gasket	1
1-29	03100010009	0047	油封	oil seal	2
1-30	03090010028	0473	轴承	bearing	2
1-31	03070010001	4562	半圆键	half-moon bon	1
1-32	02020020003	0508	活塞环	piston ring	2
1-33	02010020005	0500	活塞	piston	1
1-34	03090020018	0498	小头滚针轴承	needle bearing	1
1-35	02020010004	0513	活塞销	piston pin	1
1-36	02020150002	0512	止推垫圈	stop washer	2

1-37	02020030017	4555	活塞销挡环	piston pin circlip	2
1-38	02020120054	8558	曲轴连杆组合(左旋)	crank shaft comp(levototation)	1
1-39	02050100012	8559	起动拨盘组合	start pulley assem(levorotation)	1
1-40	02050070016	5845	起动机组合	startter assem(levorotation)	1
1-41	03020020044	5483	螺钉组合 GB9074.4白色	screw assem	2
1-42	02090010011	0745	空滤器滤芯	cleaner element	1
1-43	70030040123	9318	空滤器外罩黑	cleaner outside cover	1
1-44	02110030079	4452	旋钮	knob	1
1-45	02110020026	7560	油箱盖组合黑色	oil bop nib	1
1-46	70050030079	9607	油箱	oil lid	1
1-47	03040010010	5582	加大平垫 GB96白色	spring washer	3
1-48	03020020057	9733	螺钉组合 GB9074.4白色	screw	1
1-49	03020010014	5614	螺钉组合 GB9074.3白色	screw	2
1-50	02050120002	0554	燃油过滤器	filter	1
1-51	02080030025	0709	油管胶塞	oil box rubber stopple	1
1-52	03020020029	4360	螺钉组合 GB9074.4白色	screw	5
1-53	02080020012	1622	点火线固定套	stationary bushing	1
1-54	02050050146	6826	停车线	stop switch assy	1
1-55	70030030426	9483	缸体护罩 (CHAMPION) 黄1	cylinder cover	1
1-56	80010020080	9495	风扇罩外协 黄116C	fan cover	1
1-57	03010110007	4366	大扁头 (黑色)	screw	1
1-58	03040010008	4451	加大平垫 GB996白色	spring washer	2
1-59	70080120007	1355	空滤器内罩组合	cleaner inside cover	1
1-60	03020020054	4242	螺钉组合 GB9074.4 白色	screw	2
1-61	02070010048	3477	隔热垫 E1001 7211A	gasket	2
1-62	02110030050	0733	塑料垫	plastic gasket	3



(SL720A (GA) HEDGE TRIMMER)

序号	新ERP编码	ERP编码	名称	Part Name	数量
Ser. NO.	NEW Erp NO.	Erp NO.			Qty
2-1	70030160063	7697	手把A黑色	handle A	1
2-2	70030160064	7698	手把B黑色	handle B	1
2-3	03010040062	9006	自攻丝GB9074. 18-F黑色	screw	6
2-4	02020070103	7788	刀片护罩黄116C	Safty guard	1
2-5	02050050218	3860	停车开关组合黄116C	stop switch assy	1
2-6	02080020073	7772	橡胶帽	Rubber cover	1
2-7	03020020038	4481	螺钉组合 GB9074. 4白色	screw	2
2-8	70030030347	7691	防护手柄黑色	Handle	1
2-9	02020160206	7784	固定板支架B	Support B	1
2-10	02020160036	7779	齿轮箱内盖	gear case inside lid	1
2-11	02090030004	7781	毛毡垫	Felt	2
2-12	02070010003	7776	齿轮箱密封垫	Gasket	1
2-13	03090010039	7802	轴承 GB/T276	Bearing	1
2-14	02020160043	7801	大垫片 (SL-720-11)	Washer	1
2-15	03010010026	6689	内六角螺钉 GB70黑色	Screw	12
2-16	03050010016	4250	弹垫 GB93黑色	Washer	12
2-17	03120010005	4534	挡圈 GB894	Ring	1
2-18	70030070245	7699	油门手把套座黑色	Seat	1
2-19	70030180347	7696	限位手柄黄116C	limite location handle	1
2-20	70030070293	7695	油门操作柄黄116C	throttle lever handle	1
2-21	02020110052	7773	大扭簧	Spring	1
2-22	02060040142	3543	轴承	Bearing	1
2-23	03090010029	0046	轴承	Bearing	1
2-24	03120020001	4540	孔挡圈 GB893	Ring	1
2-25	02020050028	7782	被动盘焊合	Drum	1
2-26	70070010020	7780	齿轮箱	Gear case	1
2-27	02020090044	7777	偏心轮	Eccenter	1
2-28	03090020002	7800	滚针轴承	Bearing	1
2-29	03010110024	4266	沉头螺钉黑色	screw	2
2-30	02020090009	7778	传动臂	Transmission arm	2
2-31	03040050059	7809	加厚垫片	Washer	1
2-32	02020160205	7783	固定板支架A	supptarter A	1
2-33	02020070060	7787	护刃器	Safeguard	1
2-34	02020070057	7786	刀片固定板	Settle plate	1
2-35	02020070061	7785	刀片 (双刃)	Blade	1
2-36	03010110028	7219	调节螺栓M6*25黑色	Adjusting bolt	5
2-37	03040050053	4537	钢平垫	Washer	6

2-38	03040020016	3232	平垫 GB97白色	Washer	2
2-39	03030060003	4471	防松螺母 GB889.1白色	pressed nut	6
2-40	03020010006	6686	螺钉组合 GB9074.3白色	screw	4
2-41	03040010012	3015	加大平垫 GB96白色	Washer	4
2-42	70070080065	7775	齿轮箱盖	Gear case lid	1
2-43	70030160067	7692	手把连接体左黑色	left handle connect	1
2-44	03010040051	6706	自攻丝 GB9074.18-F黑色	Screw	5
2-45	03010020013	1165	外六方螺钉 GB5783白色	Screw	1
2-46	02050040099	7799	油门绳90	Cable comp	1
2-47	02040030005	7774	间隔套 彩	Spacer	1
2-48	70030180348	2259	旋钮组合黄116C	Knob	1
2-49	70030160066	7693	手把连接体右黑色	right handle connect	1
2-50	03010110043	3697	黄油嘴	Butter nipple	1
2-51	03010020041	9905	刀片调节螺栓	Blade adjusting bolt	1
2-52	70030180215	7694	减振座黑色	damping seat	4
2-53	02080020025	7771	减振套黑色	damping cover	4
2-54	02020160386	7770	压紧片彩	impaction slice	1
2-55			螺纹管	Wave tube	
2-56	03020030008	1211	螺钉组合 GB9074.13白色	screw	4