

STIHL MS 231, 251

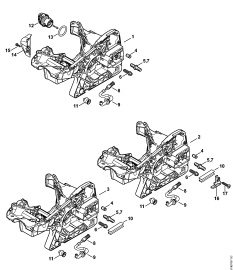
Spare Parts List

**Table of contents**

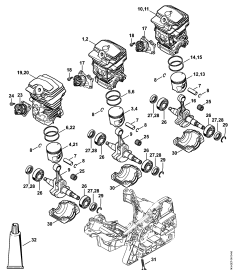
---

MS 231, MS 231 C, MS 251, MS 251 C	4
Motor housing	6
Cylinder	8
Muffler	11
Oil pump, Clutch	13
Chain brake	15
Chain tensioner, Chain sprocket cover	17
Ignition system, Wiring harness	19
Rewind starter, Hand guard	21
Tank housing	24
AV system, Handlebar	27
Shroud, Air baffle	29
Carburetor bracket, Air filter	32
Carburetor	34
Carburetor WTF-2, WTF-4, WTF-8, WTF-9 (54.2013)	37
Throttle control	40
Tools, Extras	42
2-in-1 laser (not for USA, CDN)	44
Serial number	46

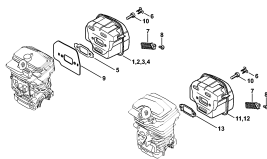




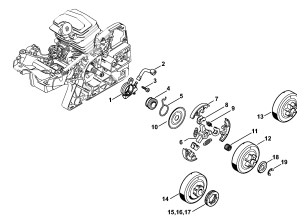
Motor housing



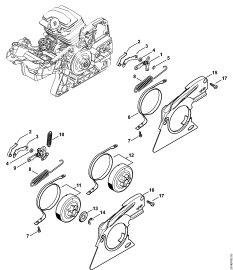
Cylinder



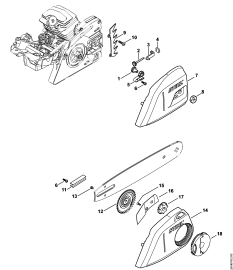
Muffler



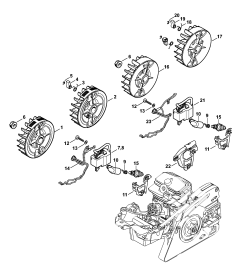
Oil pump, Clutch



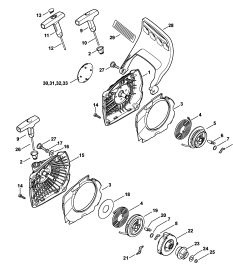
Chain brake



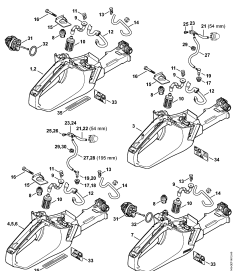
Chain tensioner, Chain sprocket cover



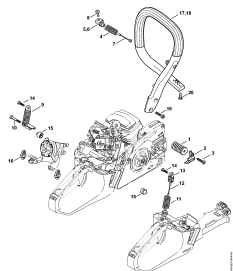
Ignition system, Wiring harness



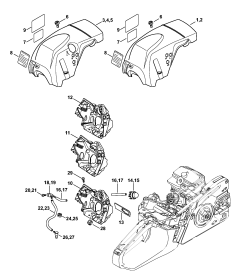
Rewind starter, Hand guard



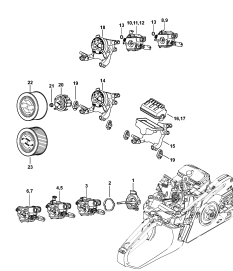
Tank housing



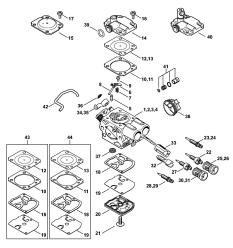
AV system, Handlebar



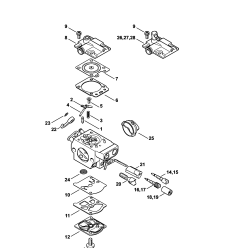
Shroud, Air baffle



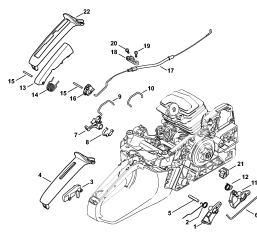
Carburetor bracket, Air filter



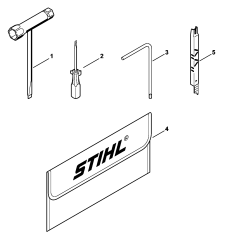
Carburetor



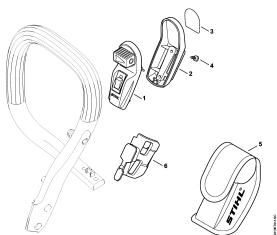
Carburetor WTF-2, WTF-4, WTF-8, WTF-9 (54.2013)



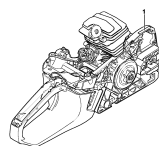
Throttle control



Tools, Extras



2-in-1 laser (not for USA, CDN)



Serial number

**Description**

Motor housing

Cylinder

Muffler

Oil pump, Clutch

Chain brake

Chain tensioner, Chain sprocket cover

Ignition system, Wiring harness

Rewind starter, Hand guard

Tank housing

AV system, Handlebar

Shroud, Air baffle

Carburetor bracket, Air filter

Carburetor

Carburetor WTF-2, WTF-4, WTF-8, WTF-9 (54.2013)

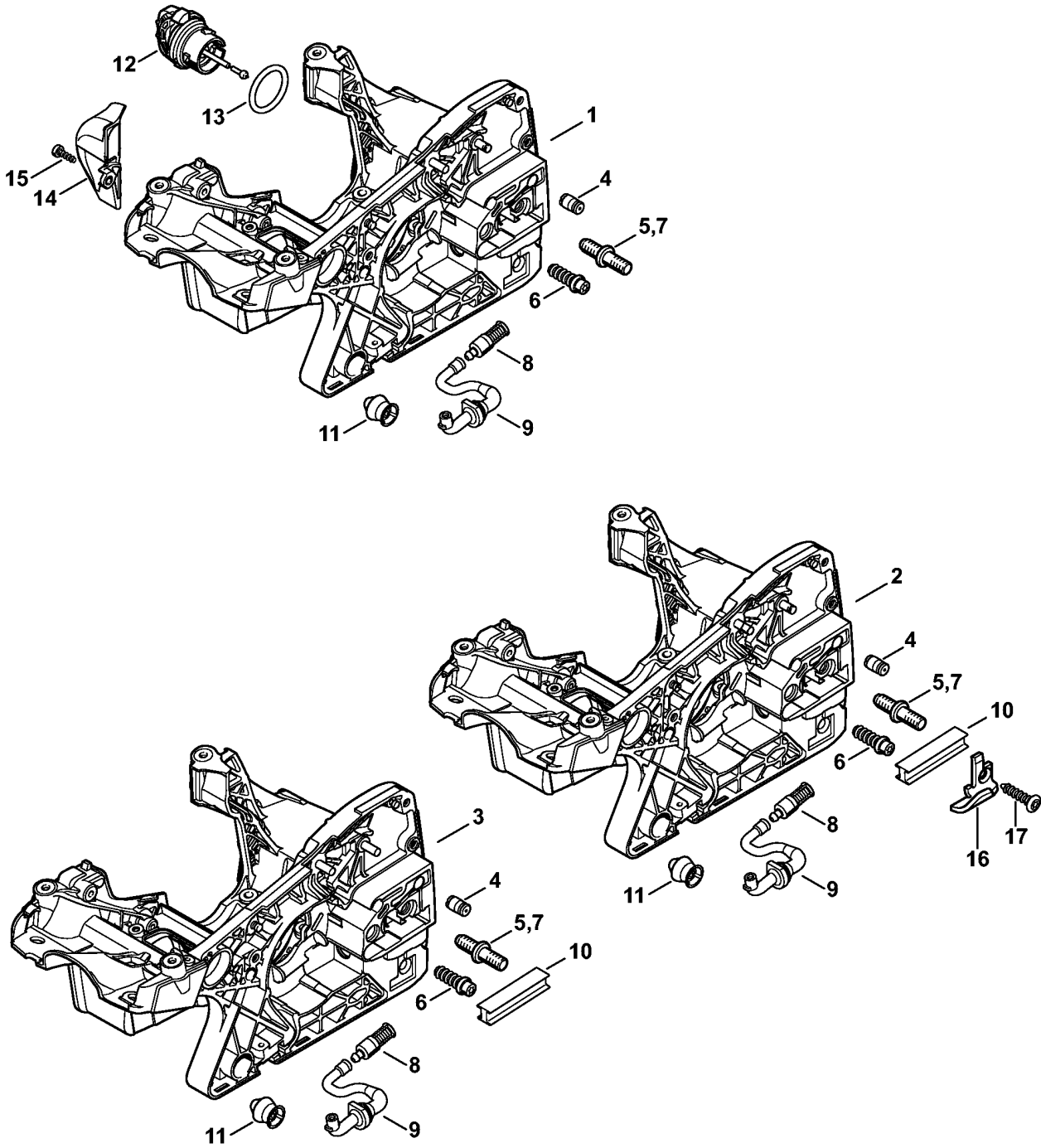
Throttle control

Tools, Extras

2-in-1 laser (not for USA, CDN)

Serial number

**Motor housing**



2310ET037 SC

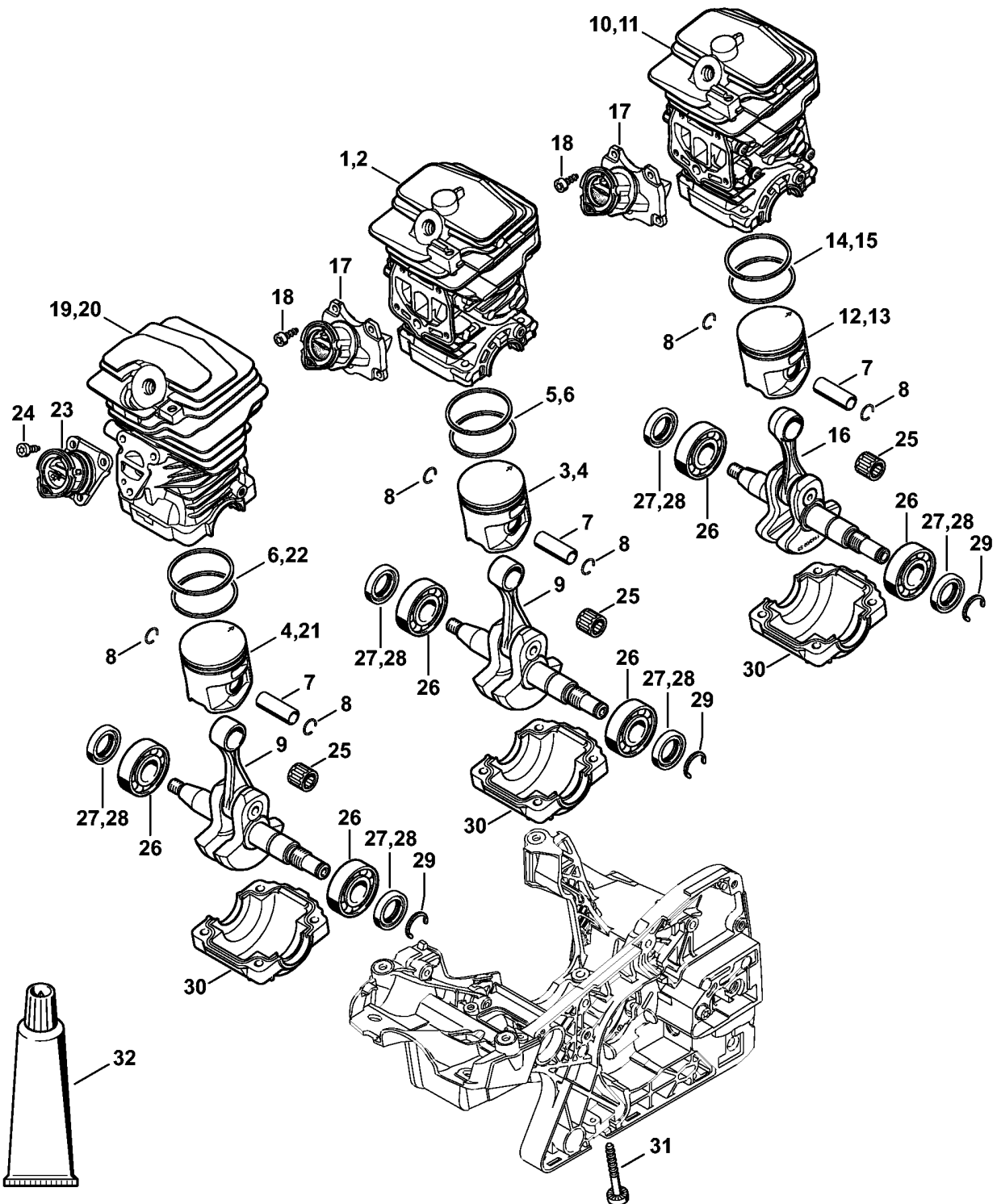
(1) MS 231, (2) MS 231 C-BE, (3) MS 231 C-BE Z, (4) MS 231-Z, (5) MS 251, (6) MS 251 C-BE, (7) MS 251 C-BE Z, (8) MS 251 C-BEQ, (9) MS 251 C-BEQ Z, (10) MS 251 C-E, (11) MS 251-Z, (12) MS 251-Z WoodBoss

## Motor housing

Reference	Item number	Qty	Description	Contains	Technical Information
1	1143 020 3023	1	Engine housing (1,4,5,10,11,12)	4 - 6, 8, 9, 12, 13	8.2012
2	1143 020 3025	1	Engine housing (2,3,6,7)	4 - 6, 8 - 10, 12, 13, 15	8.2012
3	1143 020 3027	1	Engine housing (8,9)	4 - 6, 8 - 10, 12, 13, 15	8.2012
4	1128 640 9100	1	Valve		
5	1123 664 2400	1	Collar screw		
6	1143 664 2401	1	Collar screw		
7	1123 664 2405	1	Collar screw D9/M8 (B)		29.2011
8	1123 640 3800	1	Pickup body		
9	1143 647 9401	1	Hose		
10	1123 021 2800	1	Insert (2,3,6,7,8,9)		
11	1143 791 5900	1	Stop buffer		
12	0000 350 0537	1	Filler cap	13	8.2012
13	9645 948 2470	1	O-ring 23x3		8.2012
14	1143 140 7800	1	Pre-separator		
15	9074 477 2995	1	Pan head self-tapping screw IS-P4x12		
16	0000 656 7700	1	Chain catcher (B)		
17	9074 477 4438	1	Pan head self-tapping screw IS-P6x30 (B)		

(1) MS 231, (2) MS 231 C-BE, (3) MS 231 C-BE Z, (4) MS 231-Z, (5) MS 251, (6) MS 251 C-BE, (7) MS 251 C-BE Z, (8) MS 251 C-BEQ, (9) MS 251 C-BEQ Z, (10) MS 251 C-E, (11) MS 251-Z, (12) MS 251-Z WoodBoss

**Cylinder**



1143-GET-0010-A0

(1) MS 231, (2) MS 231 C-BE, (3) MS 231 C-BE Z, (4) MS 231-Z, (5) MS 251, (6) MS 251 C-BE, (7) MS 251 C-BE Z, (8) MS 251 C-BEQ, (9) MS 251 C-BEQ Z, (10) MS 251 C-E, (11) MS 251-Z, (12) MS 251-Z WoodBoss



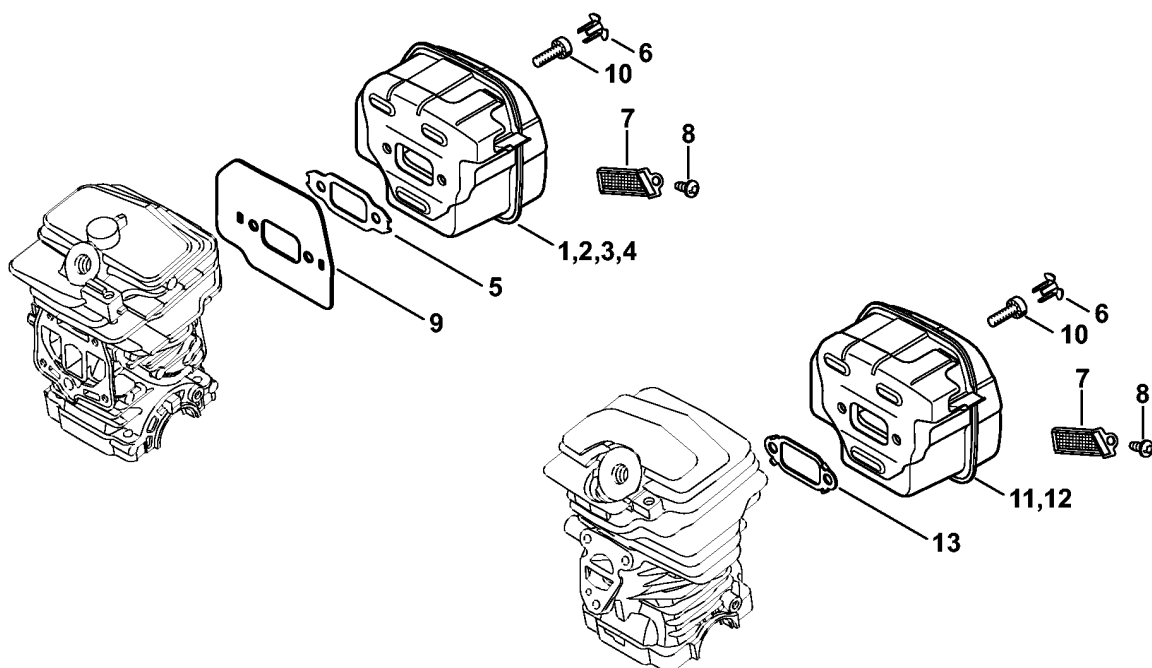
## Cylinder

Reference	Item number	Qty	Description	Contains	Technical Information
1	1143 020 1205	1	Cylinder with piston Ø 42.5 mm (1,2,3,4)	3, 5, 7, 8, 31	
2	1143 020 1207	1	Cylinder with piston Ø 44 mm (5,6,7,8,9,10,11,12)	4, 6 - 8, 31	
3	1143 030 2013	1	Piston Ø 42.5 mm (1,2,3,4)	5, 7, 8	
4	1143 030 2007	1	Piston Ø 44 mm (5,6,7,8,9,10,11)	6 - 8	
5	1143 034 3009	2	Piston ring Ø 42.5x1.2 mm (1,2,3,4)		
6	1143 034 3007	2	Piston ring Ø 44x1.2 mm (5,6,7,8,9,10,11,12)		
7	1143 034 1500	1	Piston pin 10x8x27.88		
8	9463 650 1000	2	Snap ring 10		
9	1143 030 0401	1	Crankshaft (1,2,3,4,5,6,7,8,9,10,11)		25.2005
10	1143 020 1209	1	Cylinder with piston Ø 42,5 mm PRC (1)	7, 8, 12, 14, 31	
11	1143 020 1211	1	Cylinder with piston Ø 44 mm PRC (5)	7, 8, 13, 15, 31	
12	1143 030 2027	1	Piston Ø 42,5 mm PRC (1)	7, 8, 14	
13	1143 030 2029	1	Piston Ø 44 mm PRC (5)	7, 8, 15	
14	1143 034 3000	2	Piston ring Ø 42.5x1.2 mm PRC (1)		
15	1143 034 3011	2	Piston ring Ø 44x1,2 mm PRC (5)		
16	1143 030 0409	1	Crankshaft PRC (1,5)		25.2005
17	1143 140 2501	1	Manifold		
18	9075 478 3012	4	Pan head self-tapping screw IS-D4x12		
19	* 1143 020 1201	1	Cylinder with piston Ø 41.5 mm (1,2,3,4)	7, 8, 21, 22, 31	54.2013
20	* 1143 020 1203	1	Cylinder with piston Ø 44 mm (5,6,7,8,9,11)	4, 6 - 8, 31	54.2013
21	* 1143 030 2005	1	Piston Ø 41.5 mm (1,2,3,4)	7, 8, 22	54.2013
22	* 1143 034 3001	2	Piston ring Ø 41.5x1.2 mm (1,2,3,4)		54.2013
23	* 1143 140 2500	1	Manifold		54.2013
24	* 9075 478 3012	3	Pan head self-tapping screw IS-D4x12		54.2013
25	9512 003 2331	1	Needle cage 10x14x12.5		
26	9503 003 0340	2	Grooved ball bearing 6202		
27	9639 951 1584	2	Oil seal 15x25x5		
28	9638 003 1581	2	Oil seal 15x25x5		

(1) MS 231, (2) MS 231 C-BE, (3) MS 231 C-BE Z, (4) MS 231-Z, (5) MS 251, (6) MS 251 C-BE, (7) MS 251 C-BE Z, (8) MS 251 C-BEQ, (9) MS 251 C-BEQ Z, (10) MS 251 C-E, (11) MS 251-Z, (12) MS 251-Z WoodBoss

**Cylinder**

Reference	Item number	Qty	Description	Contains	Technical Information
29	9468 621 1520	1	Circlip 15x1		
30	1143 021 2502	1	Engine pan		
31	9075 478 4197	4	Pan head self-tapping screw IS-D5.3x43		
32	0783 830 2000	1	Tube of sealant HT red (B)		



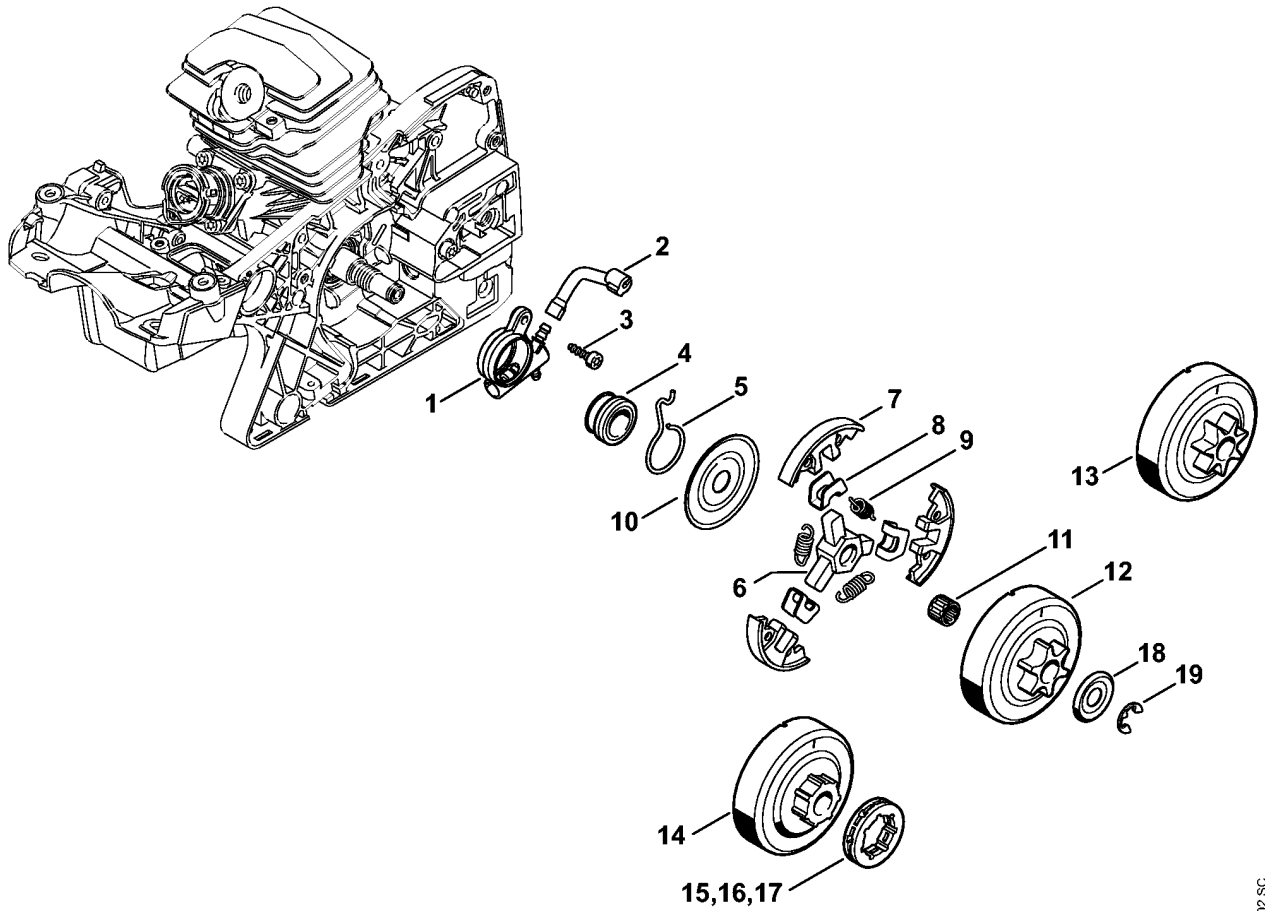
1143-GET-0008-A0

(1) MS 231, (2) MS 231 C-BE, (3) MS 231 C-BE Z, (4) MS 231-Z, (5) MS 251, (6) MS 251 C-BE, (7) MS 251 C-BE Z, (8) MS 251 C-BEQ, (9) MS 251 C-BEQ Z, (10) MS 251 C-E, (11) MS 251-Z, (12) MS 251-Z WoodBoss

## Muffler

Reference	Item number	Qty	Description	Contains	Technical Information
1	1143 140 0665	1	Muffler (1,2)	5, 6	
2	1143 140 0667	1	Muffler (5,6,8,10)	5, 6	
3	1143 140 0669	1	Muffler USA, CDN, AUS, NZ (3,4)	5 - 8	
4	1143 140 0671	1	Muffler USA, CDN, AUS, NZ (7,9,11,12)	5 - 8	
5	1143 149 0603	1	Muffler gasket		
6	1135 145 9002	2	Plug		
7	1143 140 8103	1	Spark arresting screen USA, CDN, AUS, NZ (3,4,7,9,11,12)		
8	9039 475 0656	1	Self-tapping screw M4x9.6 USA, CDN, AUS, NZ (3,4,7,9,11,12)		
9	1143 140 0401	1	Cooling plate (5,6,7,8,9,11)	5	
10	9022 341 0983	2	Spline screw IS-M5x16		
11	* 1143 140 0651	1	Muffler (1,2,5,6,8)	6, 13	54.2013
12	* 1143 140 0653	1	Muffler USA, CDN, AUS, NZ (3,4,7,9,11)	6 - 8, 13	54.2013
13	* 1143 149 0601	1	Muffler gasket		54.2013

**Oil pump, Clutch**

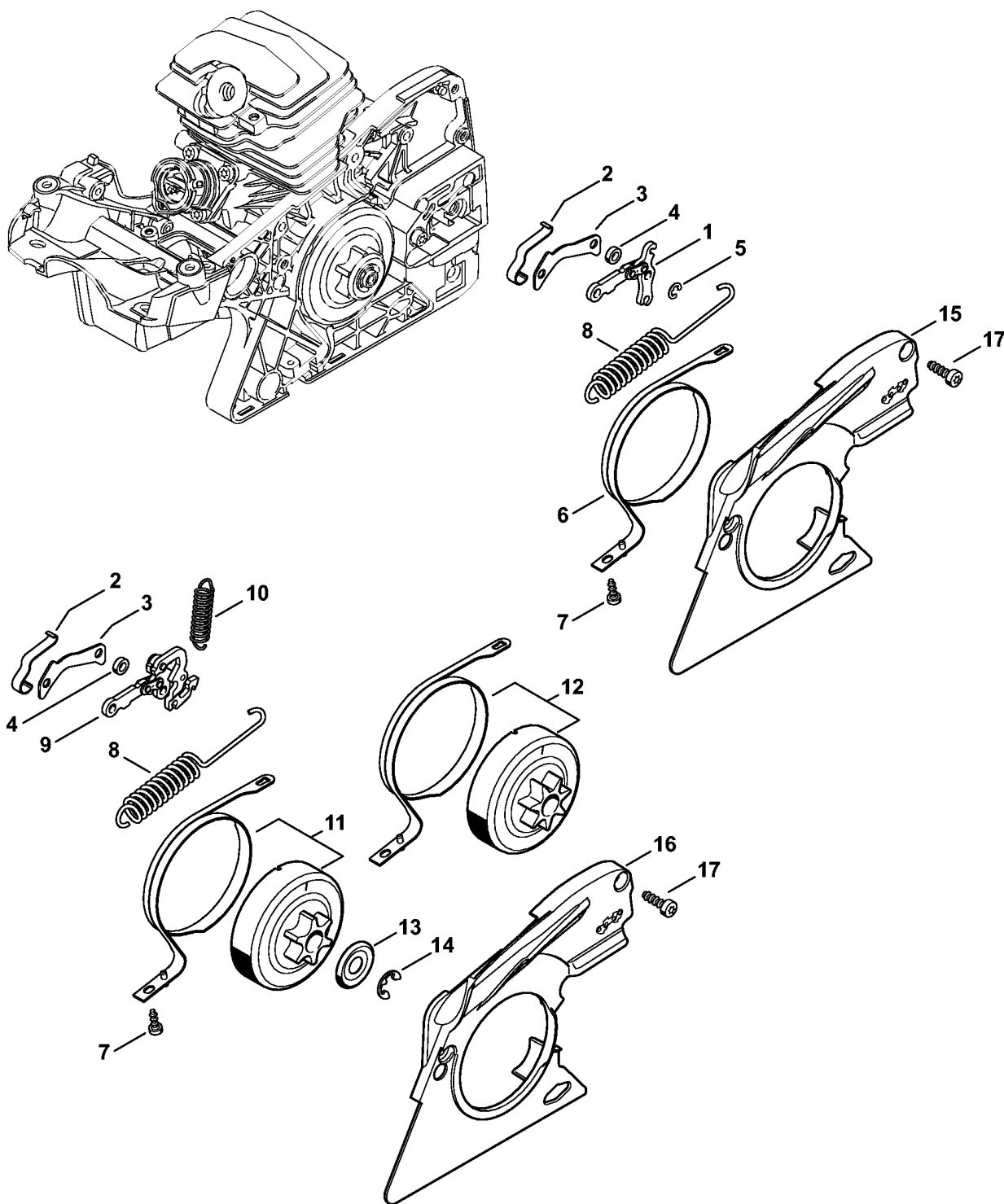


2310ET002.SC

(1) MS 231, (2) MS 231 C-BE, (3) MS 231 C-BE Z, (4) MS 231-Z, (5) MS 251, (6) MS 251 C-BE, (7) MS 251 C-BE Z, (8) MS 251 C-BEQ, (9) MS 251 C-BEQ Z, (10) MS 251 C-E, (11) MS 251-Z, (12) MS 251-Z WoodBoss

## Oil pump, Clutch

Reference	Item number	Qty	Description	Contains
1	1143 640 3201	1	Oil pump	
2	1143 647 9403	1	Hose	
3	9075 478 3016	2	Pan head self-tapping screw IS-D4x16	
4	1123 640 7102	1	Worm gear	5
5	1123 647 2400	1	Spring	
	1123 160 2050	1	Clutch	6 - 10
6	1121 162 3201	1	Carrier	
7	1129 162 0800	3	Clutch shoe	
8	1127 162 3000	3	Retainer	
9	0000 997 5515	3	Tension spring	
10	1121 162 1001	1	Cover washer	
11	9512 933 2260	1	Needle cage 10x13x10	
12	1143 640 2000	1	Chain sprocket 3/8" Picco 6T (1,2,3,4,5,6,7,11)	
13	1143 640 2002	1	Chain sprocket 0.325" 7T (1,2,3,4,5,6,7,10,11,12)	
	1123 640 2007	1	Chain sprocket 1/4" 8T (A,B) (1,2,3,4,5,6,7,11)	
	1143 007 1002	1	Rim sprocket kit 3/8" Picco 7T (B) (1,2,3,4,5,6,7,10,11)	14, 15, 18, 19
14		1	Clutch drum (B,D) (1,2,3,4,5,6,7,10,11)	
15	0000 642 1240	1	Rim sprocket 3/8" Picco 7T (B) (1,2,3,4,5,6,7,11)	
	1143 007 1003	1	Rim sprocket kit 0.325" 7T (B) (1,2,3,4,5,6,7,11)	14, 16, 18, 19
16	0000 642 1236	1	Rim sprocket 0.325" 7T (B) (1,2,3,4,5,6,7,11)	
	1143 007 1004	1	Rim sprocket kit 0.325" 8T (B) (1,2,3,4,5,6,7,11)	14, 17 - 19
17	0000 642 1234	1	Rim sprocket 0.325" 8T (B) (1,2,3,4,5,6,7,11)	
18	0000 958 1022	1	Washer Ø 27 mm	
19	9460 624 0801	1	E-clip 8x1.3	

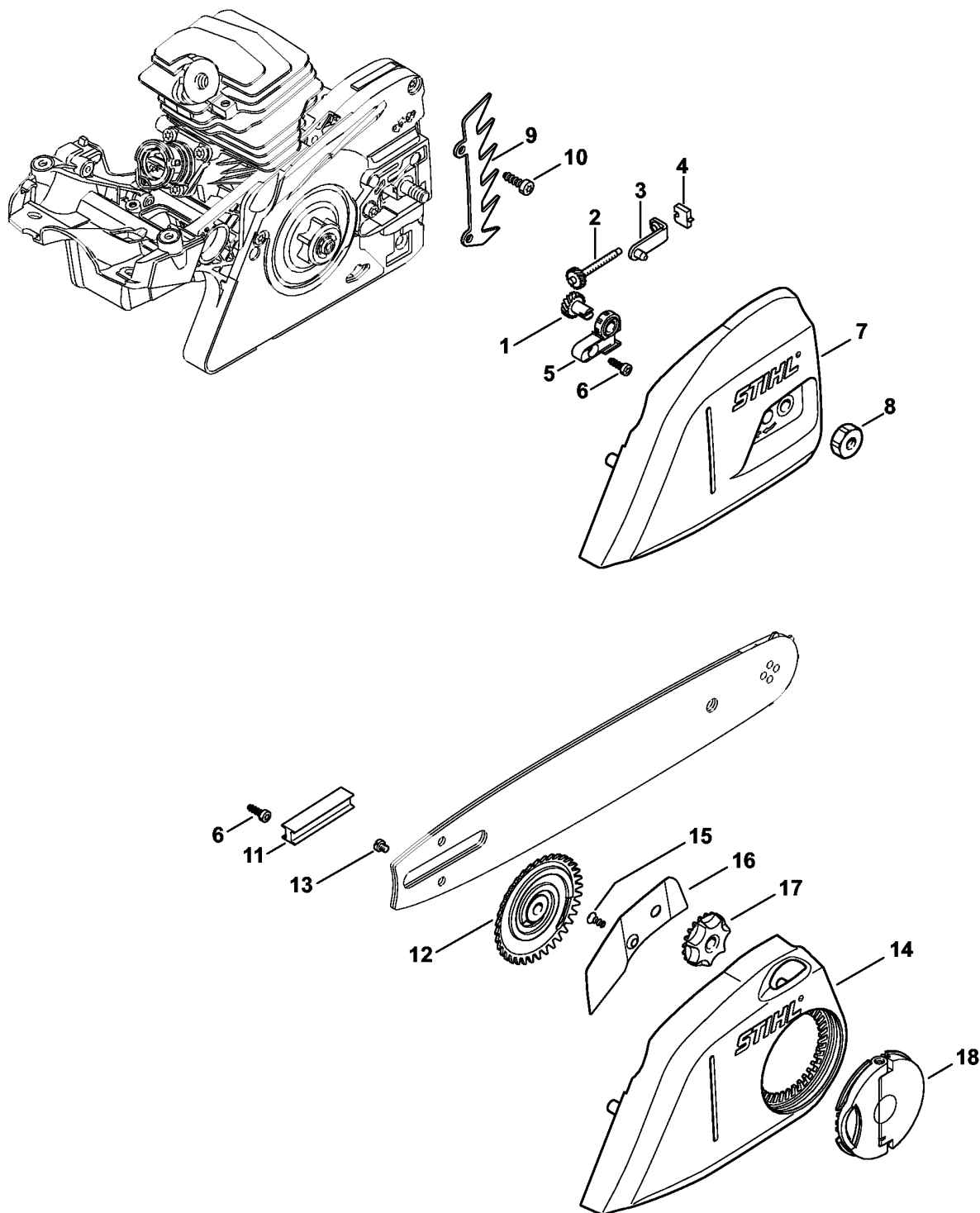


(1) MS 231, (2) MS 231 C-BE, (3) MS 231 C-BE Z, (4) MS 231-Z, (5) MS 251, (6) MS 251 C-BE, (7) MS 251 C-BE Z, (8) MS 251 C-BEQ, (9) MS 251 C-BEQ Z, (10) MS 251 C-E, (11) MS 251-Z, (12) MS 251-Z WoodBoss

## Chain brake

Reference	Item number	Qty	Description
1	1138 160 5000	1	Lever (1,2,3,4,5,6,7,10,11,12)
2	1123 162 7800	1	Flat spring
3	1143 162 5802	1	Strap
4	1141 162 9401	1	Spacer
5	9460 624 0400	1	E-clip 4 (1,2,3,4,5,6,7,10,11,12)
6	1143 160 5401	1	Brake band (1,2,3,4,5,6,7,10,11,12)
7	9074 477 2995	1	Pan head self-tapping screw IS-P4x12
8	1143 162 7901	1	Tension spring
9	1138 160 5001	1	Lever (8,9)
10	1143 162 7914	1	Tension spring (8,9)
11	1143 160 5405	1	Brake band 3/8" Picco 6T (8,9)
12	1143 160 5403	1	Brake band 0.325" 7T (8,9)
13	0000 958 1022	1	Washer Ø 27 mm (8,9)
14	9460 624 0801	1	E-clip 8x1.3 (8,9)
15	1143 021 1105	1	Cover (7,11)
16	1143 021 1101	1	Cover (1,2,3,4,5,6,7,8,9,10,12)
17	9074 477 4132	2	Pan head self-tapping screw IS-P5x18



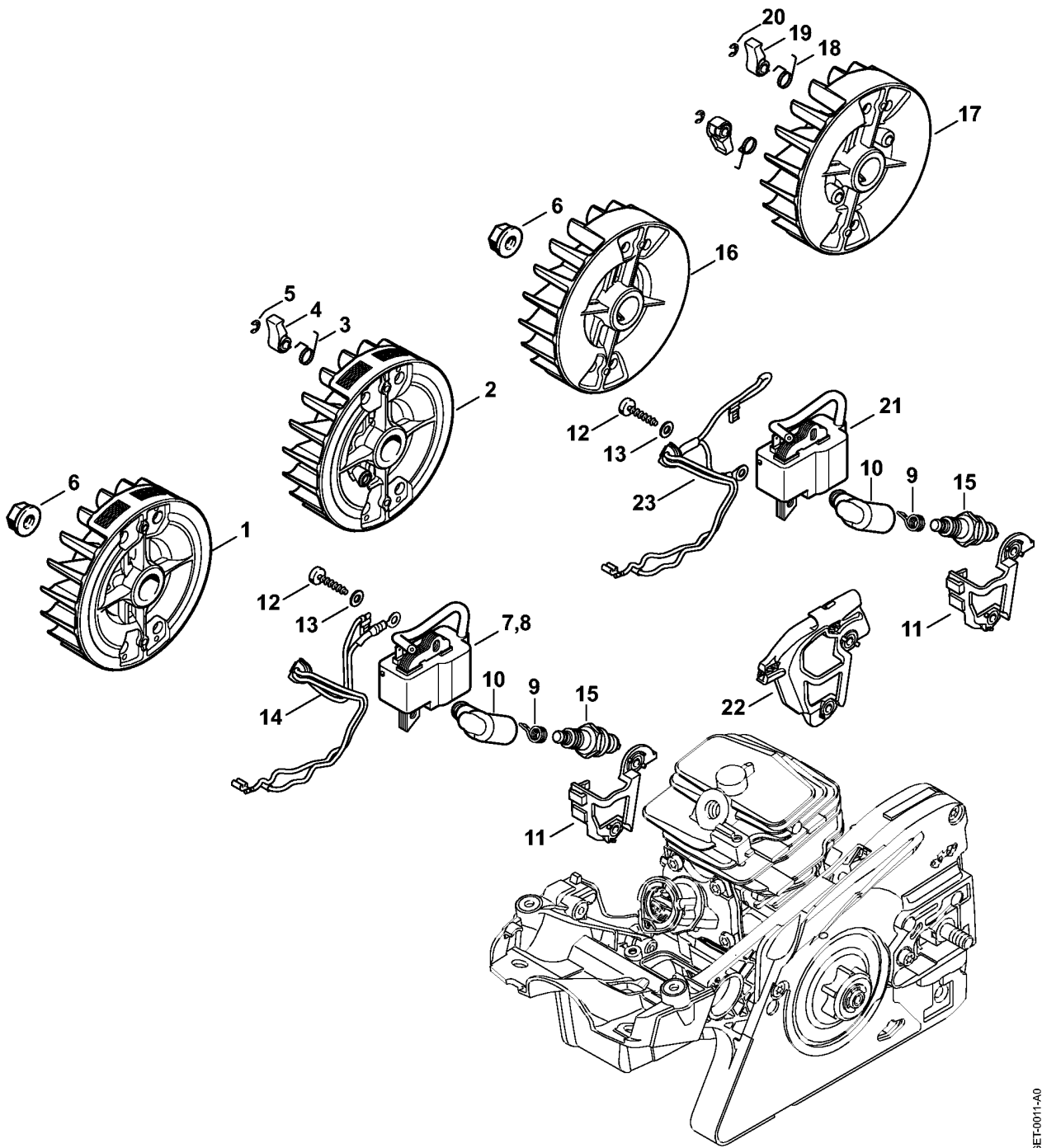


(1) MS 231, (2) MS 231 C-BE, (3) MS 231 C-BE Z, (4) MS 231-Z, (5) MS 251, (6) MS 251 C-BE, (7) MS 251 C-BE Z, (8) MS 251 C-BEQ, (9) MS 251 C-BEQ Z, (10) MS 251 C-E, (11) MS 251-Z, (12) MS 251-Z WoodBoss

2310ET012-SC

## Chain tensioner, Chain sprocket cover

Reference	Item number	Qty	Description	Contains
	1123 007 1004	1	Spur gear / chain adjusting screw kit (1,4,5,10,11,12)	1, 2
1		1	Spur gear (D) (1,4,5,10,11,12)	
2		1	Adjusting screw (D) (1,4,5,10,11,12)	
3	1123 640 1900	1	Tensioner slide (1,4,5,10,11,12)	
4	1123 664 1400	1	Thrust pad (1,4,5,10,11,12)	
5	1123 664 2200	1	Cover (1,4,5,10,11,12)	
6	9074 477 2995	1	Pan head self-tapping screw IS-P4x12 (1,4,5,10,11,12)	
7	1143 640 1701	1	Chain sprocket cover (1,4,5,10,11,12)	
8	0000 955 0801	2	Hexagon nut M8 (1,4,5,10,11,12)	
9	1143 664 0500	1	Bumper spike	
10	9074 477 4130	2	Pan head self-tapping screw IS-P5x16	
	1143 007 1005	1	Quick tensioner parts (B) (1,4,5,7,11)	6, 11 - 18
11	1123 021 2800	1	Insert (B) (1,4,5,7,11)	
12	1123 660 3001	1	Tensioning gear (2,3,6,7,8,9)	13
13	9041 319 0600	1	Pan head screw M4x5 (2,3,6,7,8,9)	
14	1143 640 1731	1	Chain sprocket cover (2,3,6,7,8,9)	15 - 17
15	9076 478 2996	1	Pan head self-tapping screw P4x12 (2,3,6,7,8,9)	
16	1139 648 3800	1	Cover plate (2,3,6,7,8,9)	
17	1123 648 2202	1	Adjusting wheel (2,3,6,7,8,9)	
18	1121 660 1000	1	Wing nut (2,3,6,7,8,9)	

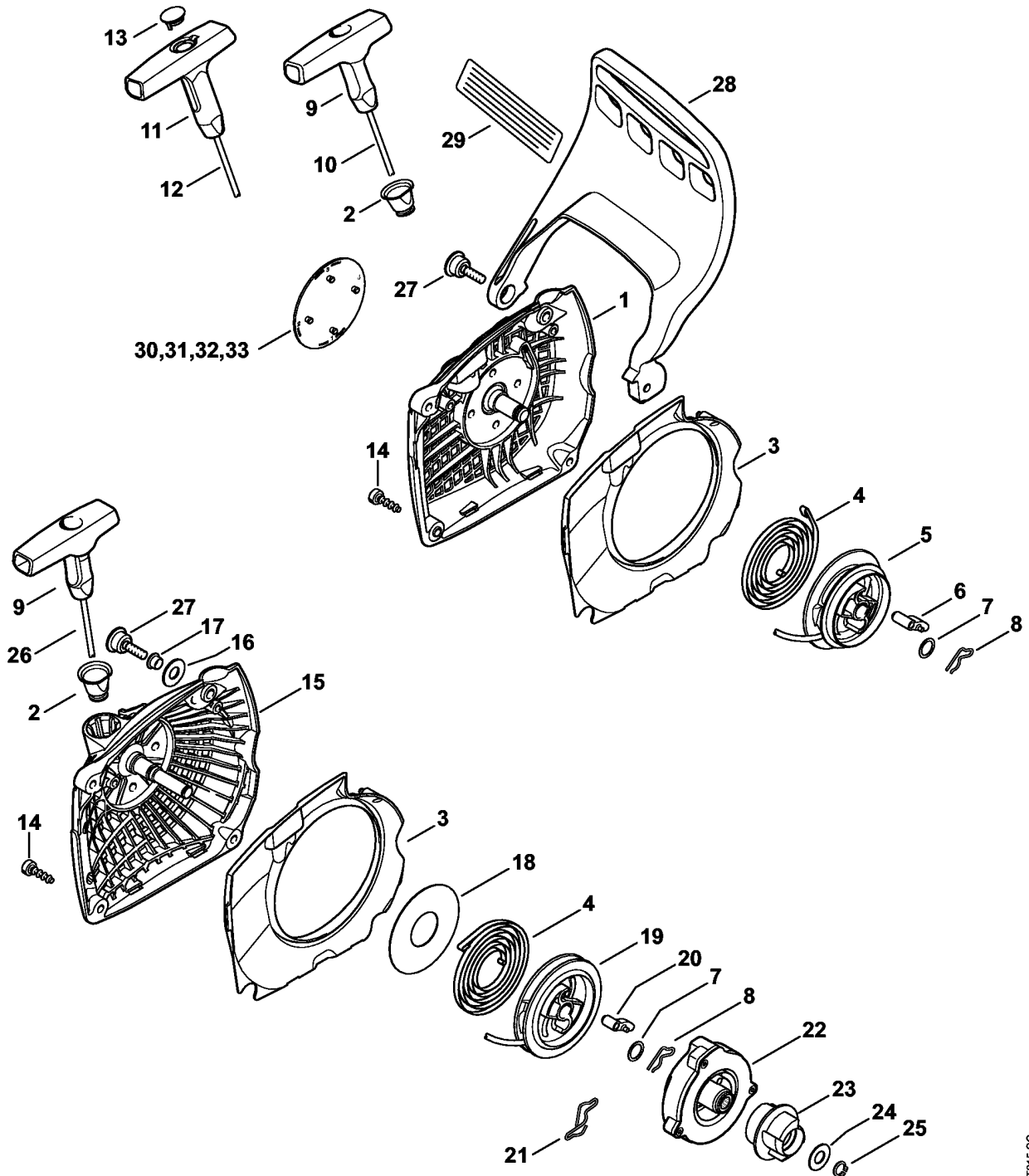


(1) MS 231, (2) MS 231 C-BE, (3) MS 231 C-BE Z, (4) MS 231-Z, (5) MS 251, (6) MS 251 C-BE, (7) MS 251 C-BE Z, (8) MS 251 C-BEQ, (9) MS 251 C-BEQ Z, (10) MS 251 C-E, (11) MS 251-Z, (12) MS 251-Z WoodBoss

## Ignition system, Wiring harness

Reference	Item number	Qty	Description	Contains	Technical Information
1	1143 400 1203	1	Flywheel (1,4,5,6,7,8,11,12)		
2	1143 400 1235	1	Flywheel (2,3,6,7,8,9,10)	3 - 5	
3	0000 998 1100	1	Torsion spring (2,3,6,7,8,9,10)		
4	1139 195 7200	1	Pawl (2,3,6,7,8,9,10)		
5	9460 624 0320	1	E-clip 3.2 (2,3,6,7,8,9,10)		
6	0000 955 0802	1	Collar nut M8x1		
7	1143 400 1315	1	Ignition module	9, 10	
8	1143 400 1317	1	Ignition module PRC (1,5)	9, 10	
9	0000 998 0604	1	Torsion spring		
10	0000 405 1007	1	Spark plug boot		
11	1143 440 3503	1	Lead retainer		
12	9075 478 3022	2	Pan head self-tapping screw IS-D4x20		
13	9291 021 0100	2	Washer 4.3		
14	1143 440 3013	1	Wiring harness		
15	0000 400 7011	1	Spark plug NGK CMR6H		
16	* 1143 400 1201	1	Flywheel (1,4,5,11)		54.2013 25.2005
17	* 1143 400 1233	1	Flywheel (2,3,6,7,8,9)	18 - 20	54.2013 25.2005
18	* 0000 998 1100	2	Torsion spring (2,3,6,7,8,9)		54.2013
19	* 1139 195 7200	2	Pawl (2,3,6,7,8,9)		54.2013
20	* 9460 624 0320	2	E-clip 3.2 (2,3,6,7,8,9)		54.2013
21	* 1143 400 1307	1	Ignition module	9, 10	54.2013 32.2012
22	* 1143 440 3501	1	Lead retainer		32.2012
23	* 1143 440 3001	1	Wiring harness		32.2012

**Rewind starter, Hand guard**



(1) MS 231, (2) MS 231 C-BE, (3) MS 231 C-BE Z, (4) MS 231-Z, (5) MS 251, (6) MS 251 C-BE, (7) MS 251 C-BE Z, (8) MS 251 C-BEQ, (9) MS 251 C-BEQ Z, (10) MS 251 C-E, (11) MS 251-Z, (12) MS 251-Z WoodBoss

## Rewind starter, Hand guard

Reference	Item number	Qty	Description	Contains	Technical Information
	1143 080 2103	1	Fan housing with rewind starter (1,4,5,11,12)	1 - 10	8.2012
	1143 080 2107	1	Fan housing with rewind starter S (5)	1 - 8, 11 - 13	
1	1143 080 1803	1	Fan housing (1,4,5,11,12)	2	8.2012
2	1110 084 9102	1	Bushing		
3	1143 084 7801	1	Segment		
4	1143 190 0600	1	Rewind spring		
5	1143 195 0400	1	Rope rotor (1,4,5,11,12)		
6	1125 195 7200	1	Pawl (1,4,5,11,12)		
7	0000 958 0923	1	Washer		
8	1118 195 3500	1	Spring		
9	1121 195 3400	1	Starter grip		
10	0000 195 8200	1	Starter rope Ø 3x800 mm (1,4,5,11,12)		
	0000 930 2208	1	Starter rope Ø 3 mm x 30.5 m (A,B) (1,4,5,11,12)		
11	0000 190 3409	1	Starter grip ElastoStart Ø 3 mm S (5)	12, 13	
12	0000 195 8205	1	Starter rope Ø 3x750 mm S (5)		
	0000 930 2208	1	Starter rope Ø 3 mm x 30.5 m (A,B) S (5)		
13	0000 195 7001	1	Cap S (5)		
14	9074 477 4132	3	Pan head self-tapping screw IS-P5x18		
	1143 080 2133	1	Fan housing with rewind starter (2,3,6,7,8,9,10)	2 - 4, 7 - 9, 15 - 20, 22 - 26	8.2012
15	1143 080 1833	1	Fan housing (2,3,6,7,8,9,10)	2, 16, 17	8.2012
16	0000 958 0607	1	Washer (2,3,6,7,8,9,10)		
17	9416 868 6610	1	Hollow rivet 6.5x0.5x5.8 (2,3,6,7,8,9,10)		
18	1143 195 9030	1	Washer (2,3,6,7,8,9,10)		
19	1123 195 0401	1	Rope rotor (2,3,6,7,8,9,10)		
20	1123 195 7200	1	Pawl (2,3,6,7,8,9,10)		
21	* 1128 195 3500	1	Spring (2,3,6,8,9)		
22	1143 190 0731	1	Spring housing (2,3,6,7,8,9,10)		
23	1143 195 2030	1	Carrier (2,3,6,7,8,9,10)		
24	0000 958 0810	1	Washer (2,3,6,7,8,9,10)		
25	9455 621 0570	1	Circlip 8x0.8 (2,3,6,7,8,9,10)		

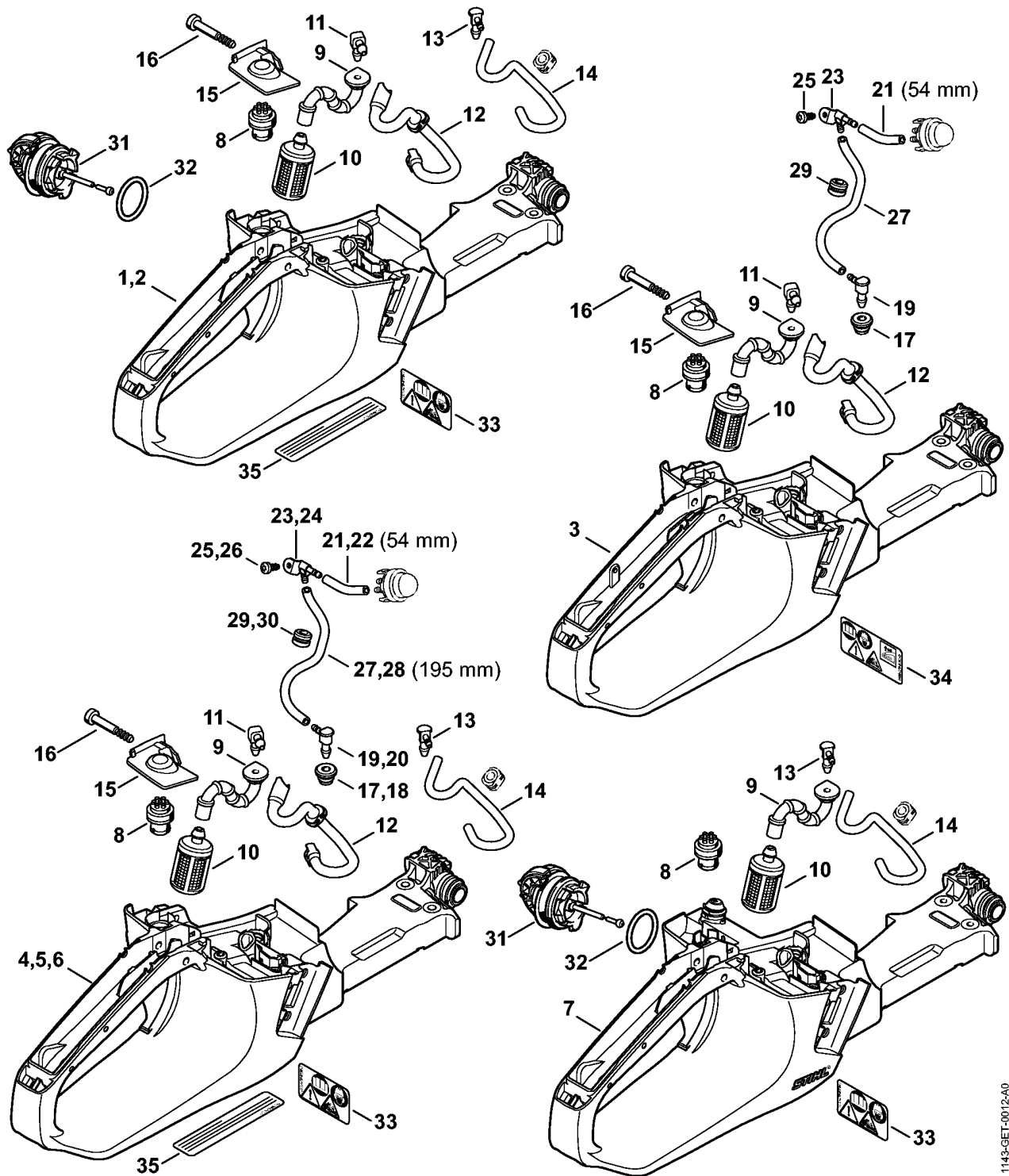
(1) MS 231, (2) MS 231 C-BE, (3) MS 231 C-BE Z, (4) MS 231-Z, (5) MS 251, (6) MS 251 C-BE, (7) MS 251 C-BE Z, (8) MS 251 C-BEQ, (9) MS 251 C-BEQ Z, (10) MS 251 C-E, (11) MS 251-Z, (12) MS 251-Z WoodBoss

## Rewind starter, Hand guard

Reference	Item number	Qty	Description	Contains	Technical Information
26	4137 195 8200	1	Starter rope Ø 2.7x910 mm (2,3,6,7,8,9,10)		
27	1141 790 6101	1	Screw assy.		
28	1143 792 9103	1	Hand guard		
29	0000 967 3908	1	Instruction label USA (7,11)		
30	1143 967 1501	1	Model plate MS 231 (1,4)		
31	1143 967 1531	1	Model plate MS 231 C (2,3)		
32	1143 967 1503	1	Model plate MS 251 (5,11,12)		
33	1143 967 1533	1	Model plate MS 251 C (2,3,6,7,8,9,10)		

(1) MS 231, (2) MS 231 C-BE, (3) MS 231 C-BE Z, (4) MS 231-Z, (5) MS 251, (6) MS 251 C-BE, (7) MS 251 C-BE Z, (8) MS 251 C-BEQ, (9) MS 251 C-BEQ Z, (10) MS 251 C-E, (11) MS 251-Z, (12) MS 251-Z WoodBoss

**Tank housing**



1143-GET-0012-A0

(1) MS 231, (2) MS 231 C-BE, (3) MS 231 C-BE Z, (4) MS 231-Z, (5) MS 251, (6) MS 251 C-BE, (7) MS 251 C-BE Z, (8) MS 251 C-BEQ, (9) MS 251 C-BEQ Z, (10) MS 251 C-E, (11) MS 251-Z, (12) MS 251-Z WoodBoss



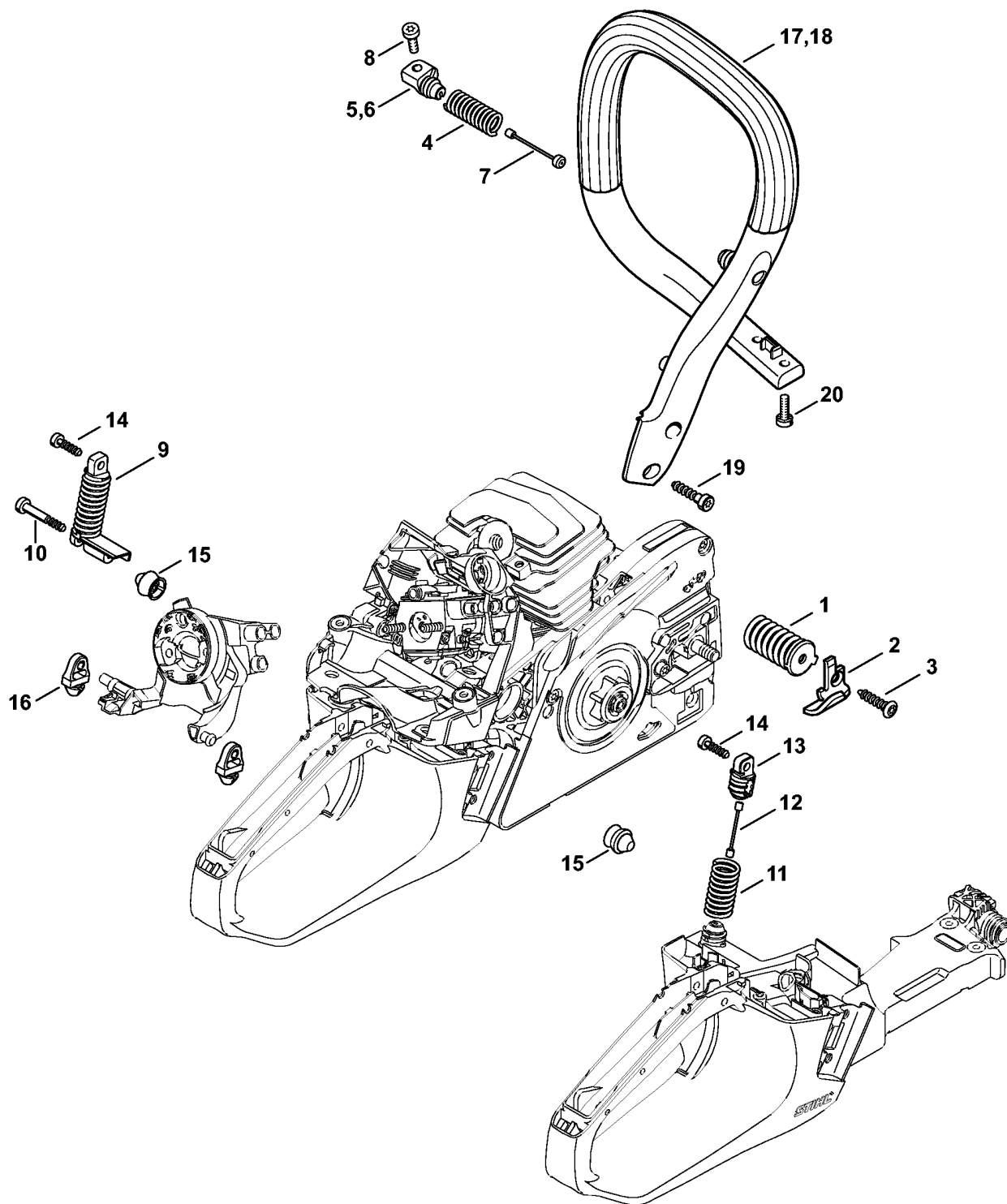
## Tank housing

Reference	Item number	Qty	Description	Contains	Technical Information
1	1143 350 0807	1	Tank housing (1,4,5,10,11)	8 - 10, 31 - 33	8.2012
2	1143 350 0825	1	Tank housing USA (11,12)	8 - 10, 31 - 33, 35	
3	1143 350 0829	1	Tank housing (8,9)	8 - 10, 17, 31, 32, 34	8.2012
4	1143 350 0833	1	Tank housing (2,3,6,7)	8 - 10, 17, 31 - 33	
5	1143 350 0833	1	Tank housing S (5,7)	8 - 10, 17, 31 - 33	8.2012
6	1143 350 0826	1	Tank housing USA (7)	8 - 10, 17, 31 - 33, 35	
7	1143 350 0847	1	Tank housing PRC (1,5)	8 - 10, 31 - 33	
8	0000 350 5800	1	Tank vent		
9	1143 358 7700	1	Hose		
10	0000 350 3504	1	Pickup body		
11	* 4224 122 3900	1	Elbow connector		54.2013
12	* 1143 358 7702	1	Hose		54.2013
13	4242 353 2600	1	Elbow connector		
14	1143 937 5000	1	Hose 154 mm		
15	1143 353 7000	1	Cover (1,2,3,4,5,6,7,8,9,10,11)		
16	9074 477 4148	1	Pan head self-tapping screw IS-P5x34 (1,2,3,4,5,6,7,8,9,10,11)		
17	1141 989 0600	1	Grommet (2,3,6,7,8,9,12)		
18	1141 989 0600	1	Grommet S (5)		
19	4242 353 2600	1	Elbow connector (2,3,6,7,8,9,12)		
20	4242 353 2600	1	Elbow connector S (5)		
21	0000 937 5006	1	Hose 2.2x5.4 mm x 1 m, R5 (A,B) (2,3,6,7,8,9)		
22	0000 937 5006	1	Hose 2.2x5.4 mm x 1 m, R5 (A,B) S (5)		
23	1143 353 2601	1	Elbow connector (2,3,6,7,8,9)		
24	1143 353 2601	1	Elbow connector S (5)		
25	9074 478 2970	1	Pan head self-tapping screw IS-P4x10 (2,3,6,7,8,9)		
26	9074 478 2970	1	Pan head self-tapping screw IS-P4x10 S (5)		
27	0000 930 2802	1	Hose 2.2x5.4 mm x 1 m, R1 (A,B) (2,3,6,7,8,9)		
28	0000 930 2802	1	Hose 2.2x5.4 mm x 1 m, R1 (A,B) S (5)		

(1) MS 231, (2) MS 231 C-BE, (3) MS 231 C-BE Z, (4) MS 231-Z, (5) MS 251, (6) MS 251 C-BE, (7) MS 251 C-BE Z, (8) MS 251 C-BEQ, (9) MS 251 C-BEQ Z, (10) MS 251 C-E, (11) MS 251-Z, (12) MS 251-Z WoodBoss

## Tank housing

Reference	Item number	Qty	Description	Contains	Technical Information
29	0000 989 0816	1	Grommet (2,3,6,7,8,9)		
30	0000 989 0816	1	Grommet S (5)		
31	0000 350 0533	1	Filler cap	32	8.2012
32	9645 948 7734	1	O-ring 25x3.5		8.2012
33	0000 967 7247	1	Warning pictogram MS (1,2,3,4,5,6,7,10,11,12)		
34	0000 967 7256	1	Warning pictogram QS (8,9)		
35	0000 967 3579	1	Instruction label USA (7,11,12)		



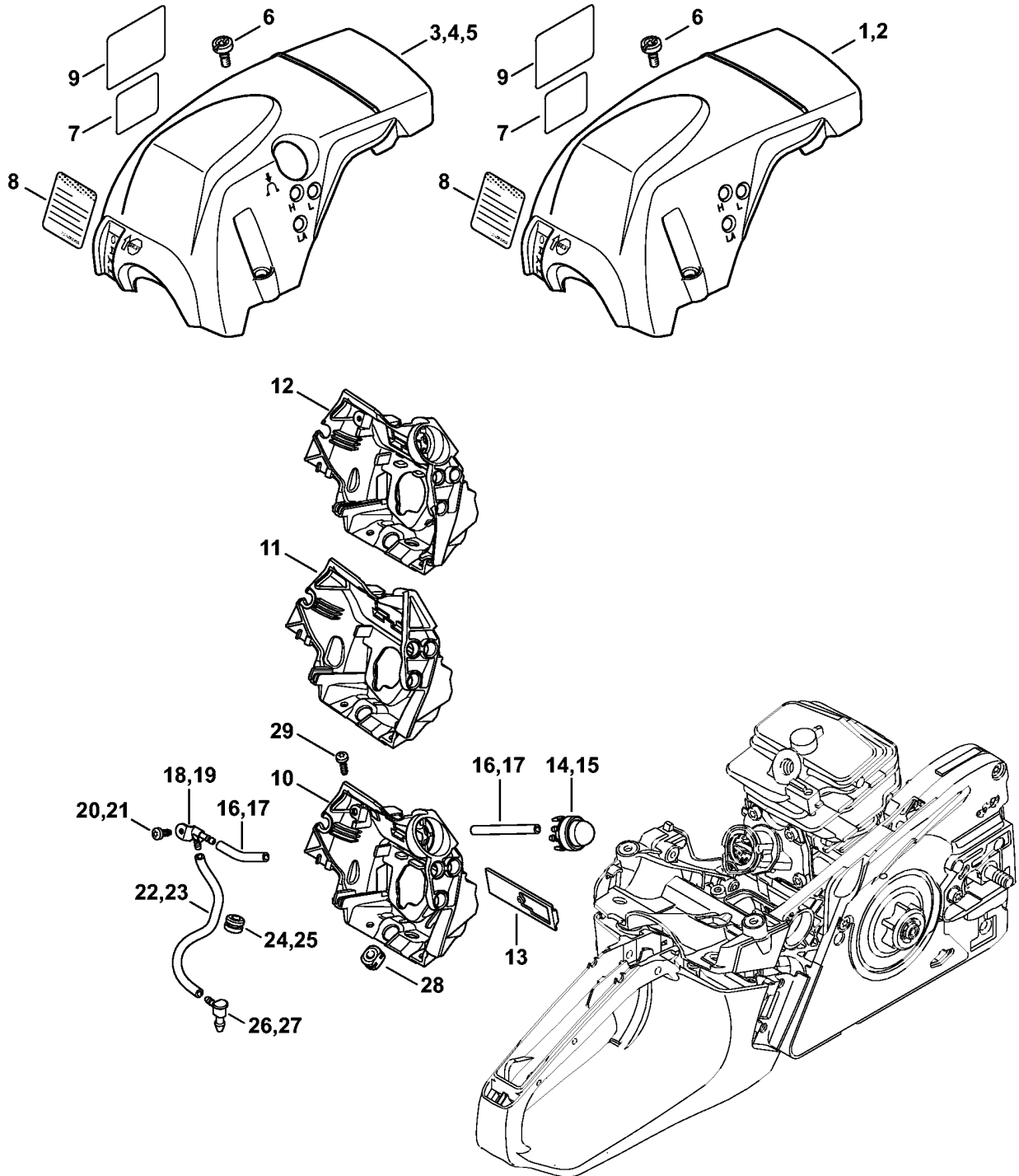
1143-GET-0014-A0

(1) MS 231, (2) MS 231 C-BE, (3) MS 231 C-BE Z, (4) MS 231-Z, (5) MS 251, (6) MS 251 C-BE, (7) MS 251 C-BE Z, (8) MS 251 C-BEQ, (9) MS 251 C-BEQ Z, (10) MS 251 C-E, (11) MS 251-Z, (12) MS 251-Z WoodBoss

## AV system, Handlebar

Reference	Item number	Qty	Description	Technical Information
1	1143 790 8302	1	AV-Spring	
2	0000 656 7700	1	Chain catcher (B)	
3	9074 477 4438	1	Pan head self-tapping screw IS-P6x30	
4	1141 791 3102	1	Spring	
5	1141 792 2910	1	AV mount	
6	* 1143 792 2902	1	AV mount	54.2013
7	1143 790 8104	1	Retainer (B)	
8	9075 478 4085	1	Pan head self-tapping screw IS-D5x18	
9	1143 790 8301	1	AV-Spring (1,2,3,4,5,6,7,8,9,10,11,12)	
10	9074 477 4148	1	Pan head self-tapping screw IS-P5x34 (1,2,3,4,5,6,7,8,9,10,11,12)	
11	1143 791 3103	1	Spring PRC (1,5)	
12	1143 790 8102	1	Retainer PRC (1,5)	
13	1143 792 2907	1	AV mount PRC (1,5)	
14	9074 477 4132	1	Pan head self-tapping screw IS-P5x18	
15	1143 791 5900	2	Stop buffer	
16	1141 122 9902	2	Buffer	
17	1143 791 1706	1	Handlebar (1,4,5,11)	
18	1143 791 1736	1	Handlebar (2,3,6,7,8,9,10)	
19	9074 478 4545	2	Pan head self-tapping screw IS-P6x26.5	
20	9022 341 0983	2	Spline screw IS-M5x16	

**Shroud, Air baffle**



(1) MS 231, (2) MS 231 C-BE, (3) MS 231 C-BE Z, (4) MS 231-Z, (5) MS 251, (6) MS 251 C-BE, (7) MS 251 C-BE Z, (8) MS 251 C-BEQ, (9) MS 251 C-BEQ Z, (10) MS 251 C-E, (11) MS 251-Z, (12) MS 251-Z WoodBoss

## Shroud, Air baffle

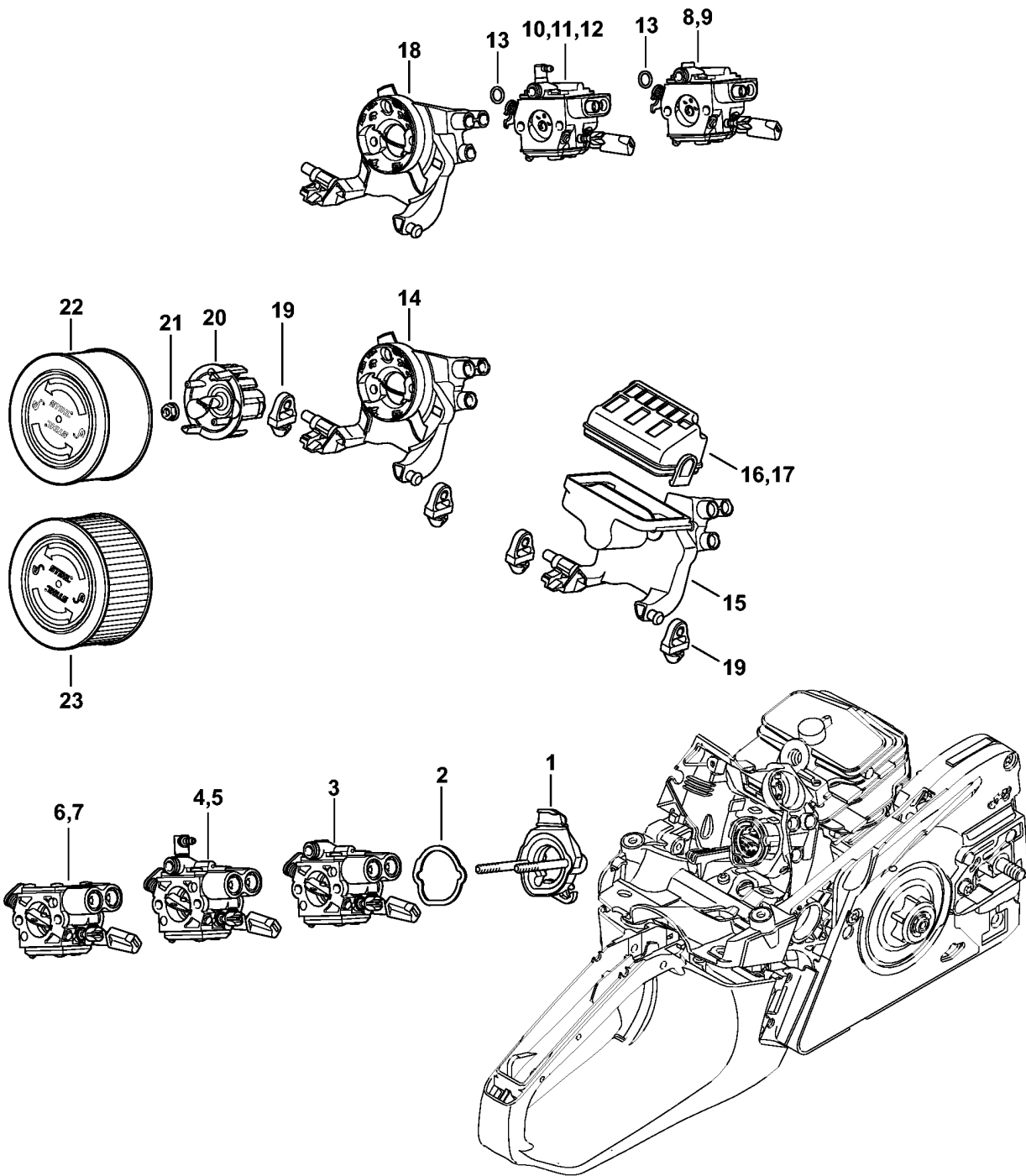
Reference	Item number	Qty	Description	Contains	Technical Information
1	1143 080 1601	1	Shroud (1,4,5,10,11)	6	
2	1143 080 1607	1	Shroud USA (11,12)	6, 9	
3	1143 080 1631	1	Shroud (2,3,6,7,8,9)	6	
4	1143 080 1631	1	Shroud S (5)	6	
5	1143 080 1635	1	Shroud USA (7)	6, 9	
6	9022 319 1028	3	Screw IS-M5x14		
7	* 0000 967 4058	1	Warning pictogram Filler cap USA (7,11)		
8	* 0000 967 4067	1	Warning Spark arresting screen USA (7,11)		
9	0000 967 7252	1	Warning pictogram Filler cap (7,11,12)		
10	1143 087 3003	1	Air guide shroud (1,2,3,4,5,6,7,8,9,11,12)		
11	1143 087 3008	1	Air guide shroud PRC (1,5,10)		
12	* 1143 087 3004	1	Air guide shroud (1,2,3,4,5,6,7,8,9,11)		54.2013
13	1143 084 4100	1	Shutter		
14	1143 350 6200	1	Fuel pump (2,3,6,7,8,9)		
15	1143 350 6200	1	Fuel pump S (5)		
16		2	Hose 2.2x5.4x54 mm, R5 (D) (2,3,6,7,8,9)		
17		2	Hose 2.2x5.4x54 mm, R5 (D) S (5)		
	0000 937 5006	1	Hose 2.2x5.4 mm x 1 m, R5 (A,B) (2,3,6,7,8,9)		
	0000 937 5006	1	Hose 2.2x5.4 mm x 1 m, R5 (A,B) S (5)		
18	1143 353 2601	1	Elbow connector (2,3,6,7,8,9)		
19	1143 353 2601	1	Elbow connector S (5)		
20	9074 478 2970	1	Pan head self-tapping screw IS-P4x10 (2,3,6,7,8,9)		
21	9074 478 2970	1	Pan head self-tapping screw IS-P4x10 S (5)		
22		1	Hose 2.2x5.4x196 mm, R1 (D) (2,3,6,7,8,9)		
23		1	Hose 2.2x5.4x196 mm, R1 (D) S (5)		
	0000 930 2802	1	Hose 2.2x5.4 mm x 1 m, R1 (A,B) (2,3,6,7,8,9)		
	0000 930 2802	1	Hose 2.2x5.4 mm x 1 m, R1 (A,B) S (5)		
24	0000 989 0816	1	Grommet (2,3,6,7,8,9)		

(1) MS 231, (2) MS 231 C-BE, (3) MS 231 C-BE Z, (4) MS 231-Z, (5) MS 251, (6) MS 251 C-BE, (7) MS 251 C-BE Z, (8) MS 251 C-BEQ, (9) MS 251 C-BEQ Z, (10) MS 251 C-E, (11) MS 251-Z, (12) MS 251-Z WoodBoss

## Shroud, Air baffle

Reference	Item number	Qty	Description	Contains	Technical Information
25	0000 989 0816	1	Grommet S (5)		
26	4242 353 2600	1	Elbow connector (2,3,6,7,8,9)		
27	4242 353 2600	1	Elbow connector S (5)		
28	1143 989 0600	1	Grommet USA, CDN (7,11)		
29	9074 477 2995	2	Pan head self-tapping screw IS-P4x12		

**Carburetor bracket, Air filter**



1143-GET-0015-A0

(1) MS 231, (2) MS 231 C-BE, (3) MS 231 C-BE Z, (4) MS 231-Z, (5) MS 251, (6) MS 251 C-BE, (7) MS 251 C-BE Z, (8) MS 251 C-BEQ, (9) MS 251 C-BEQ Z, (10) MS 251 C-E, (11) MS 251-Z, (12) MS 251-Z WoodBoss

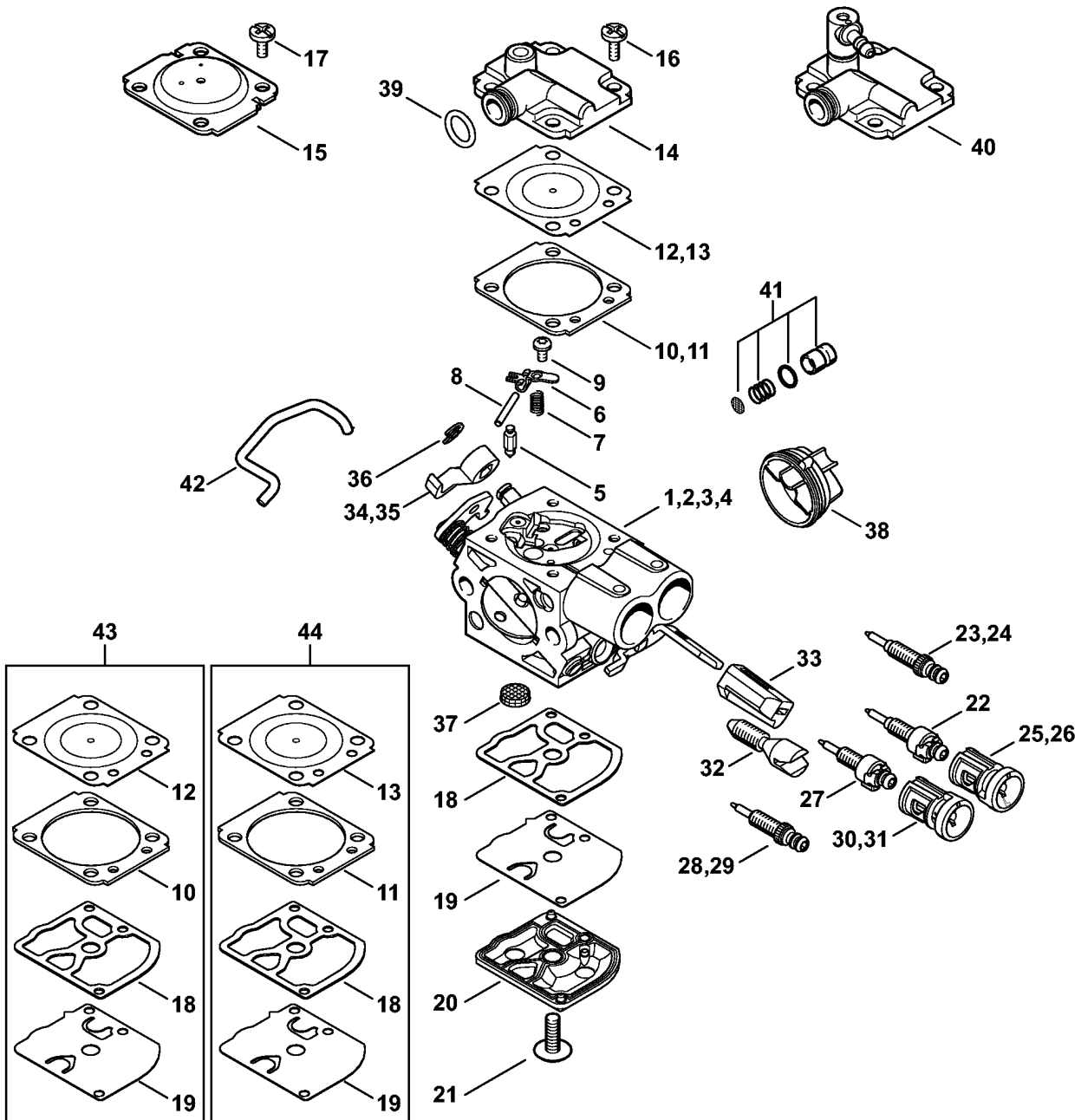


## Carburetor bracket, Air filter

Reference	Item number	Qty	Description	Contains	Technical Information
1	1143 120 0901	1	Carburetor bracket		
2	1141 121 8600	1	Washer		
3	1143 120 0611	1	Carburetor C1Q-S295 (1,4,5,11,12)	13	
4	1143 120 0641	1	Carburetor C1Q-S296 (2,3,6,7,8,9)	13	
5	1143 120 0641	1	Carburetor C1Q-S296 S (5)	13	
6	1143 120 0617	1	Carburetor PRC (1,5)		
7	1143 120 0608	1	Carburetor PRC (10)		
8	* 1143 120 0601	1	Carburetor WTF-2A (1,4,5,11)		54.2013
9	* 1143 120 0602	1	Carburetor WTF-8 USA, CDN (11)		54.2013
10	* 1143 120 0631	1	Carburetor WTF-4A (2,3,6,7,8,9)		54.2013
11	* 1143 120 0631	1	Carburetor WTF-4A S (5)		54.2013
12	* 1143 120 0632	1	Carburetor WTF-9 USA, CDN (7)		54.2013
13	9646 945 0490	1	O-ring 7x1.5		
14	1143 141 0903	1	Filter base (1,2,3,4,5,6,7,8,9,11,12)		
15	1143 141 0905	1	Air filter base PRC (1,5,10)		
16	1143 140 4401	1	Air filter (B) PRC (1,5,10)		
17	1143 140 4403	1	Air filter PRC (1,5,10)		
18	* 1143 141 0901	1	Filter base (1,2,3,4,5,6,7,8,9,11)		54.2013
19	1141 122 9902	2	Buffer		
20	1143 121 6900	1	Baffle (1,2,3,4,5,6,7,8,9,11,12)		
21	9216 261 0700	2	Hexagon nut M5 (1,2,3,4,5,6,7,8,9,11,12)		
22	1141 120 1600	1	Air filter, fleece (1,2,3,4,5,6,7,8,9,11,12)		
23	1141 120 1604	1	Air filter HD2 AUS, NZ (3,4,7,9,11)		

(1) MS 231, (2) MS 231 C-BE, (3) MS 231 C-BE Z, (4) MS 231-Z, (5) MS 251, (6) MS 251 C-BE, (7) MS 251 C-BE Z, (8) MS 251 C-BEQ, (9) MS 251 C-BEQ Z, (10) MS 251 C-E, (11) MS 251-Z, (12) MS 251-Z WoodBoss

**Carburetor**



(1) MS 231, (2) MS 231 C-BE, (3) MS 231 C-BE Z, (4) MS 231-Z, (5) MS 251, (6) MS 251 C-BE, (7) MS 251 C-BE Z, (8) MS 251 C-BEQ, (9) MS 251 C-BEQ Z, (10) MS 251 C-E, (11) MS 251-Z, (12) MS 251-Z WoodBoss

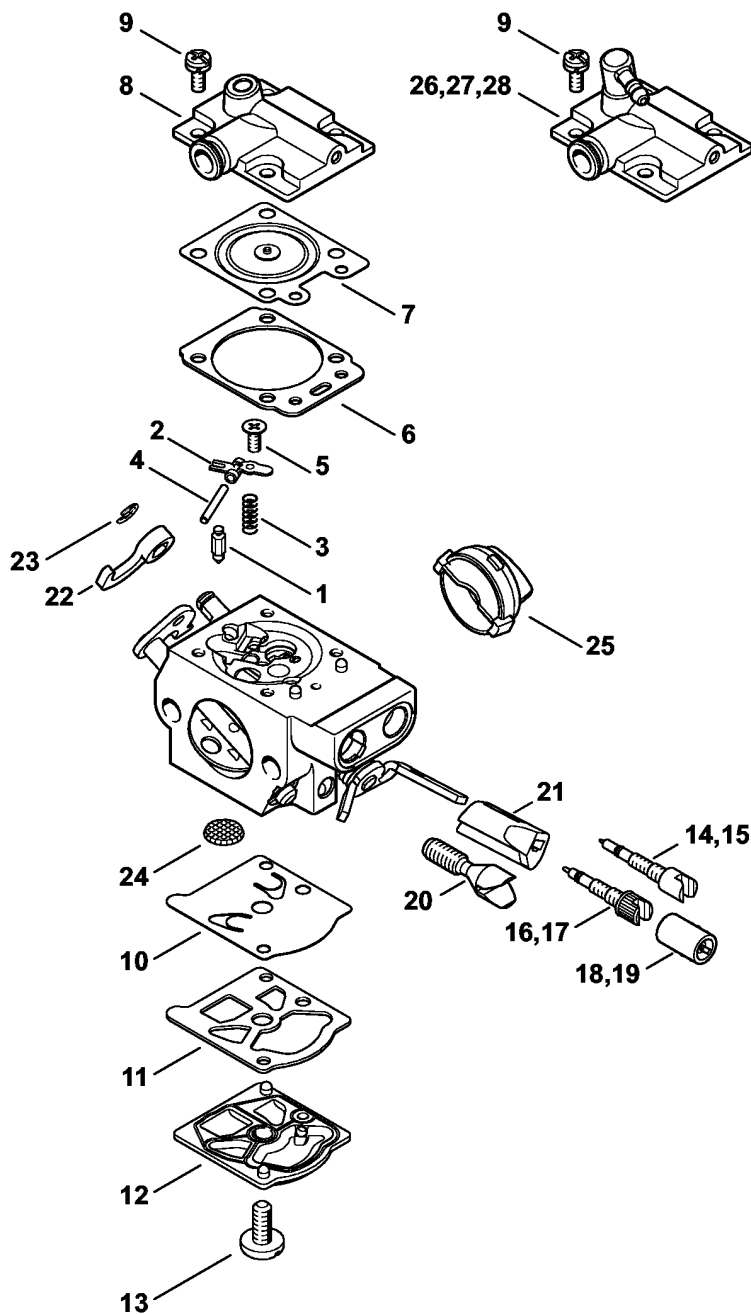
## Carburetor

Reference	Item number	Qty	Description	Contains	Technical Information
1	1143 120 0611	1	Carburetor C1Q-S295 (1,4,5,11,12)	5 - 10, 12, 14, 16, 18 - 22, 25, 27, 30, 32 - 34, 36 - 39, 41 - 43	
2	1143 120 0641	1	Carburetor C1Q-S296 (2,3,6,7,8,9)	5 - 10, 12, 16, 18 - 22, 25, 27, 30, 32 - 34, 36 - 43	
3	1143 120 0617	1	Carburetor PRC (1,5)	5 - 9, 11, 13, 15, 17 - 21, 23, 26, 28, 31 - 34, 36 - 38, 41, 44	
4	1143 120 0608	1	Carburetor PRC (10)	5 - 9, 11, 13, 15, 17 - 21, 23, 26, 28, 31 - 34, 36 - 38, 41, 44	
5	4116 121 5100	1	Inlet needle		
6	1125 121 5000	1	Inlet control lever		
7	1129 122 3001	1	Spring		
8	1120 121 9200	1	Spindle		
9	0000 122 7101	1	Screw		
10	1145 129 0900	1	Gasket (2,3,6,7,8,9)		
11	1143 129 0901	1	Gasket PRC (1,5,10)		
12	1143 121 4702	1	Metering diaphragm (2,3,6,7,8,9)		
13	1140 121 4701	1	Metering diaphragm PRC (1,5,10)		
14	1143 126 0703	1	Metering cover (1,4,5,11,12)		
15	1143 126 0704	1	Metering cover PRC (1,5,10)		
16	1120 122 6601	4	Collar screw (2,3,6,7,8,9)		
17	4132 122 6600	4	Collar screw PRC (1,5,10)		
18	1129 121 4800	1	Pump diaphragm		
19	1123 129 0905	1	Gasket		
20	1139 121 0800	1	End cover		
21	1120 122 7800	1	Oval head screw		
22	1141 120 6800	1	Low speed screw (2,3,6,7,8,9)	25	
23	1143 120 6803	1	Low speed screw PRC (1,5,10)	26	
24	* 1143 120 6801	1	Low speed screw PRC (1,5,10)	25	
25	0000 121 2704	1	Cap		
26	0000 121 2703	1	Cap PRC (1,5,10)		

(1) MS 231, (2) MS 231 C-BE, (3) MS 231 C-BE Z, (4) MS 231-Z, (5) MS 251, (6) MS 251 C-BE, (7) MS 251 C-BE Z, (8) MS 251 C-BEQ, (9) MS 251 C-BEQ Z, (10) MS 251 C-E, (11) MS 251-Z, (12) MS 251-Z WoodBoss

## Carburetor

Reference	Item number	Qty	Description	Contains	Technical Information
27	1143 122 6703	1	High speed screw (2,3,6,7,8,9)		
28	1143 120 6701	1	High speed screw PRC (1,5,10)	31	
29	* 1143 122 6705	1	High speed screw PRC (1,5,10)		
30	1141 121 2704	1	Cap		
31	4229 121 2701	1	Cap PRC (1,5,10)		
32	1143 122 6203	1	Idle speed screw		
33	1143 121 2707	1	Cap		
34	1143 121 3503	1	Throttle lever		
35	* 1143 121 3502	1	Throttle lever (1,2,3,4,5,6,7,8,9,11)		41.2014
36	1125 122 9001	1	E-clip		
37	1123 121 7800	1	Strainer		
38	1143 121 9405	1	Ring		
39	9646 945 0490	1	O-ring 7x1.5 (2,3,6,7,8,9)		
40	1143 126 0705	1	Metering cover (2,3,6,7,8,9)		
41	1143 120 9701	1	Pump piston kit (2,3,6,7,8,9)		
42	1143 185 1903	1	Choke rod		
43	1143 007 1703	1	Set of carburetor parts (2,3,6,7,8,9)	10, 12, 18, 19	
44	1143 007 1702	1	Set of carburetor parts PRC (1,5,10)	11, 13, 18, 19	



(1) MS 231, (2) MS 231 C-BE, (3) MS 231 C-BE Z, (4) MS 231-Z, (5) MS 251, (6) MS 251 C-BE, (7) MS 251 C-BE Z, (8) MS 251 C-BEQ, (9) MS 251 C-BEQ Z, (10) MS 251 C-E, (11) MS 251-Z, (12) MS 251-Z WoodBoss

**Carburetor WTF-2, WTF-4, WTF-8, WTF-9 (54.2013)**

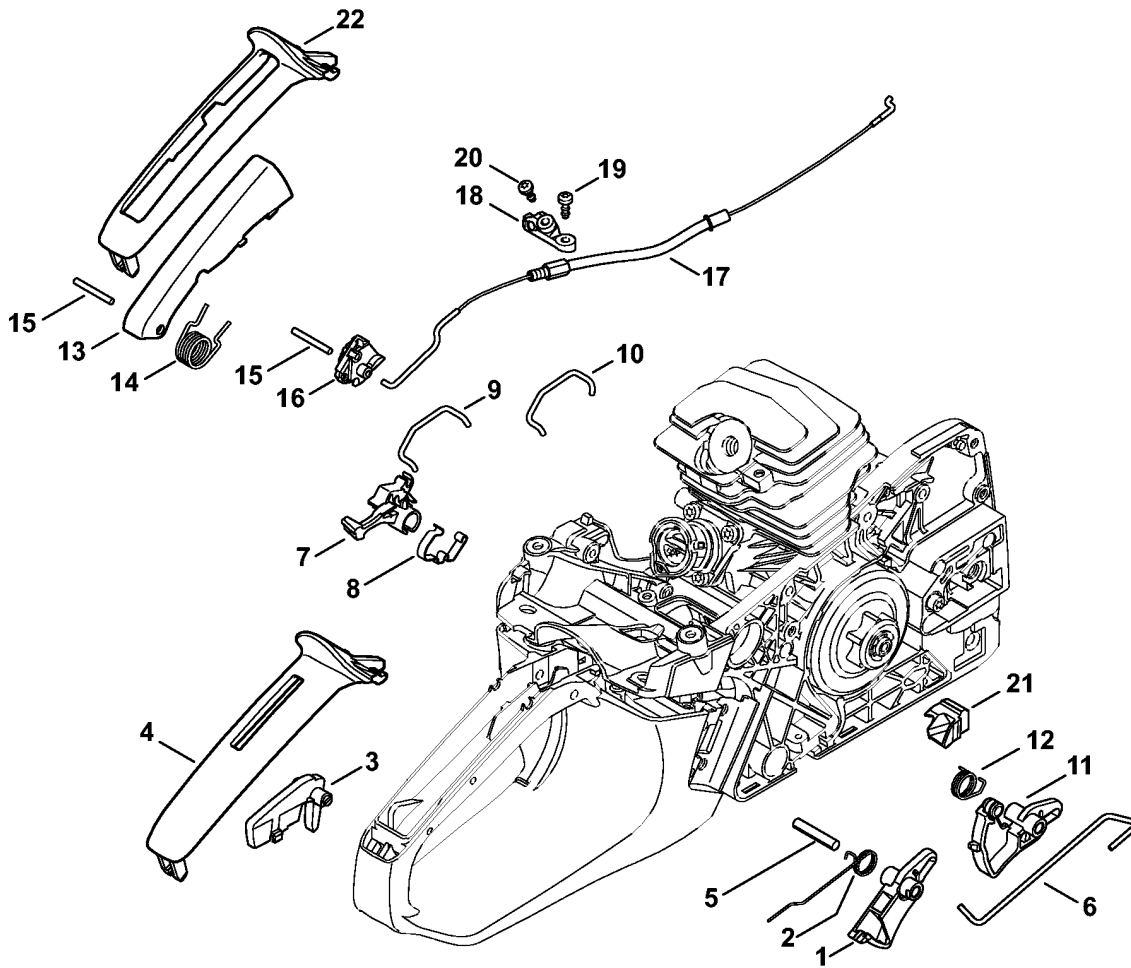
Reference	Item number	Qty	Description	Contains	Technical Information
	* 1143 120 0601	1	Carburetor WTF-2A (1,4,5,11)	1 - 14, 16, 18, 20 - 25	54.2013
	* 1143 120 0602	1	Carburetor WTF-8 USA, CDN (11)	1 - 13, 15, 17, 19 - 25	54.2013
	* 1143 120 0631	1	Carburetor WTF-4A (2,3,6,7,8,9)	1 - 7, 9 - 14, 16, 18, 20 - 26	54.2013
	* 1143 120 0631	1	Carburetor WTF-4A S (5)	1 - 7, 9 - 14, 16, 18, 20 - 25, 27	54.2013
	* 1143 120 0632	1	Carburetor WTF-9 USA, CDN (7)	1 - 7, 9 - 13, 15, 17, 19 - 25, 28	54.2013
1	* 4116 121 5100	1	Inlet needle		54.2013
2	* 1121 121 5000	1	Inlet control lever		54.2013
3	* 4116 122 3000	1	Spring		54.2013
4	* 1113 121 9200	1	Spindle		54.2013
5	* 1121 122 7103	1	Round head screw		54.2013
6	* 1143 129 0900	1	Gasket		54.2013
7	* 1143 121 4700	1	Metering diaphragm		54.2013
8	* 1143 126 0700	1	Metering cover (1,4,5,11)		54.2013
9	* 1121 122 7101	4	Screw		54.2013
10	* 1121 121 4801	1	Pump diaphragm		54.2013
11	* 1120 129 0905	1	Gasket		54.2013
12	* 1143 120 2600	1	Pump cover		54.2013
13	* 1114 122 7100	1	Screw		54.2013
14	* 1143 122 6800	1	Low speed screw		54.2013
15	* 1143 120 6800	1	Low speed screw USA, CDN (7,11)	19	54.2013
16	* 1143 122 6700	1	High speed screw		54.2013
17	* 1143 120 6700	1	High speed screw USA, CDN (7,11)	19	54.2013
18	* 1143 121 2702	1	Cap		54.2013
19	* 0000 121 2701	1	Cap USA, CDN (7,11)		54.2013
20	* 1143 122 6201	1	Idle speed screw		54.2013
21	* 1143 121 2703	1	Cap		54.2013
22	* 1143 121 3501	1	Throttle lever		54.2013
23	* 1123 122 9000	1	E-clip		54.2013
24	* 1114 121 7800	1	Strainer		54.2013
25	* 1143 121 9403	1	Ring		54.2013
26	* 1143 126 0702	1	Metering cover (2,3,6,7,8,9)		54.2013
27	* 1143 126 0702	1	Metering cover S (5)		54.2013

(1) MS 231, (2) MS 231 C-BE, (3) MS 231 C-BE Z, (4) MS 231-Z, (5) MS 251, (6) MS 251 C-BE, (7) MS 251 C-BE Z, (8) MS 251 C-BEQ, (9) MS 251 C-BEQ Z, (10) MS 251 C-E, (11) MS 251-Z, (12) MS 251-Z WoodBoss

## Carburetor WTF-2, WTF-4, WTF-8, WTF-9 (54.2013)

Reference	Item number	Qty	Description	Contains	Technical Information
28	* 1143 126 0701	1	Metering cover USA, CDN (7,11)		54.2013
	* 1143 007 1700	1	Set of carburetor parts	6, 7, 10, 11	54.2013

**Throttle control**



2310ET035 SC

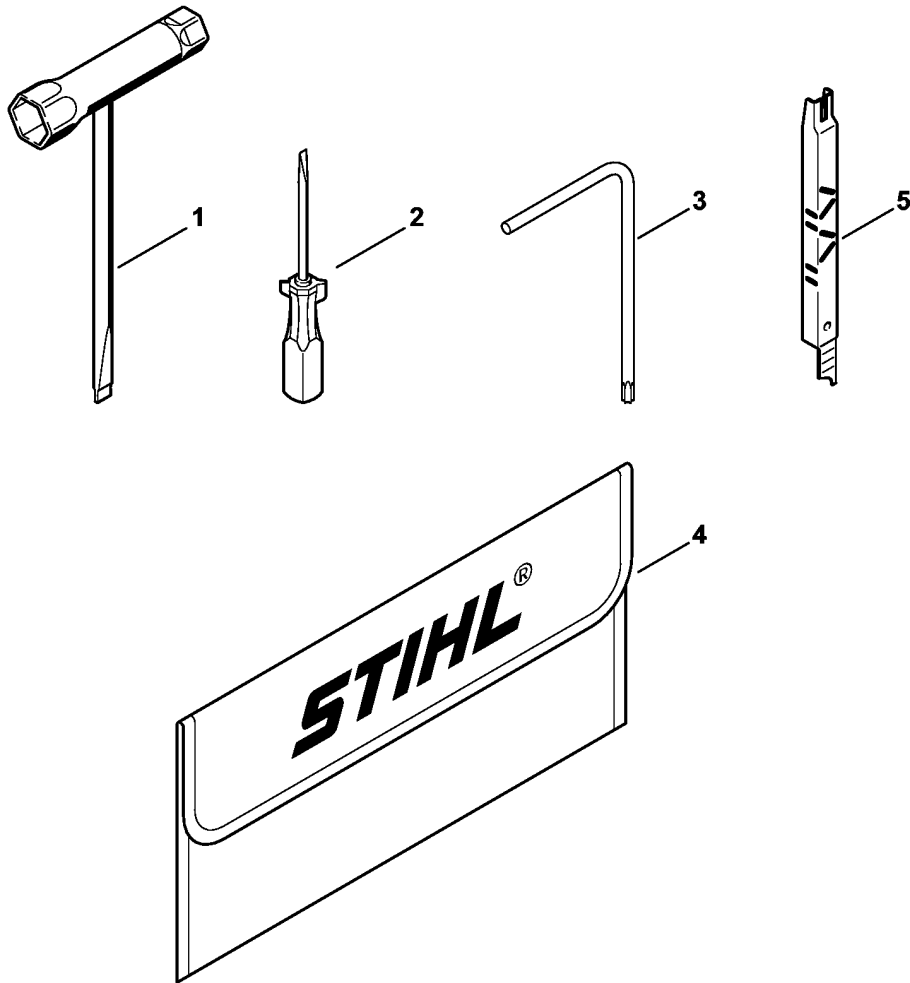
(1) MS 231, (2) MS 231 C-BE, (3) MS 231 C-BE Z, (4) MS 231-Z, (5) MS 251, (6) MS 251 C-BE, (7) MS 251 C-BE Z, (8) MS 251 C-BEQ, (9) MS 251 C-BEQ Z, (10) MS 251 C-E, (11) MS 251-Z, (12) MS 251-Z WoodBoss



## Throttle control

Reference	Item number	Qty	Description	Contains	Technical Information
1	1143 182 1000	1	Throttle trigger (1,2,3,4,5,6,7,10,11,12)		
2	1143 182 4500	1	Torsion spring (1,2,3,4,5,6,7,10,11,12)		
3	1143 182 0800	1	Lockout lever (1,2,3,4,5,6,7,10,11,12)		
4	1143 791 0600	1	Handle molding (1,2,3,4,5,6,7,10,11,12)		
4	1143 791 0600	1	Handle molding (1,2,3,4,5,6,7,10,11,12)		
5	9371 470 2680	1	Cylindrical pin 5x28		
6	1143 182 1500	1	Throttle rod		
7	1143 182 0900	1	Switch shaft		
8	1143 442 1600	1	Contact spring		
9	1143 185 1903	1	Choke rod		
10	* 1143 185 1905	1	Choke rod (1,2,3,4,5,6,7,8,9,11,12)		41.2014
11	1143 180 1510	1	Throttle trigger (8,9)		
12	1143 182 4510	1	Torsion spring (8,9)		
13	1125 180 1703	1	Lockout lever (8,9)	14	
14	1125 182 4502	1	Torsion spring (8,9)		
15	9517 003 0650	2	Cylindrical roller 3x25.8 (8,9)		
16	1143 180 1400	1	Lever (8,9)		
17	1143 160 2511	1	Brake cable (8,9)	18, 19	
18	1143 182 1611	1	Support (8,9)		
19	9074 478 2970	1	Pan head self-tapping screw IS-P4x10 (8,9)		
20	9074 478 2970	1	Pan head self-tapping screw IS-P4x10 (8,9)		
21	1143 021 2811	1	Insert (8,9)		
22	1143 791 0610	1	Handle molding (8,9)		

(1) MS 231, (2) MS 231 C-BE, (3) MS 231 C-BE Z, (4) MS 231-Z, (5) MS 251, (6) MS 251 C-BE, (7) MS 251 C-BE Z, (8) MS 251 C-BEQ, (9) MS 251 C-BEQ Z, (10) MS 251 C-E, (11) MS 251-Z, (12) MS 251-Z WoodBoss

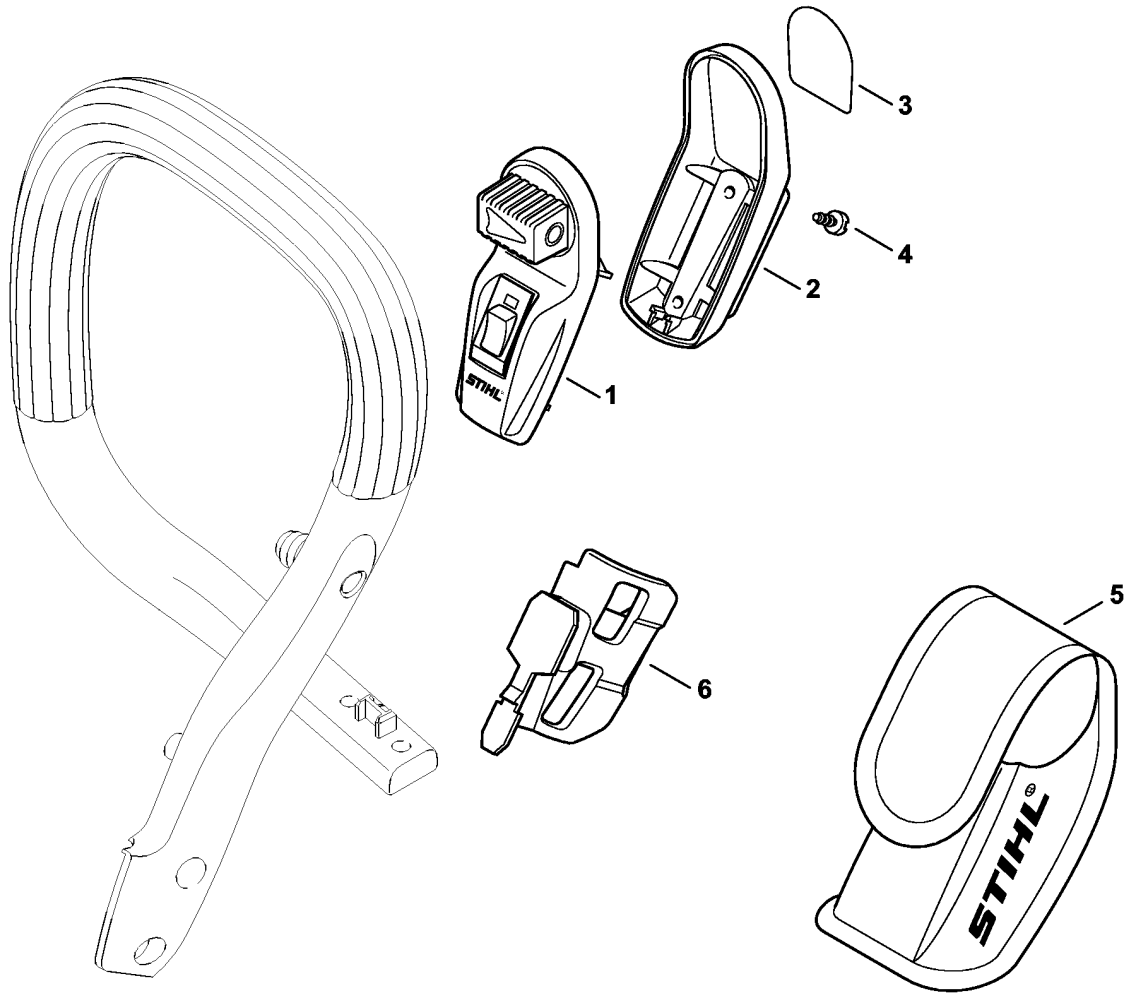


2310ET022 SC

**Tools, Extras**

Reference	Item number	Qty	Description
1	0000 890 3400	1	Combination wrench
2	0000 890 2300	1	Screwdriver
3	0812 370 1000	1	Screwdriver T27x120x70 (B)
4	0000 891 0810	1	Tool roll (B)
5	1110 893 4000	1	Filing gauge (B)

**2-in-1 laser (not for USA, CDN)**

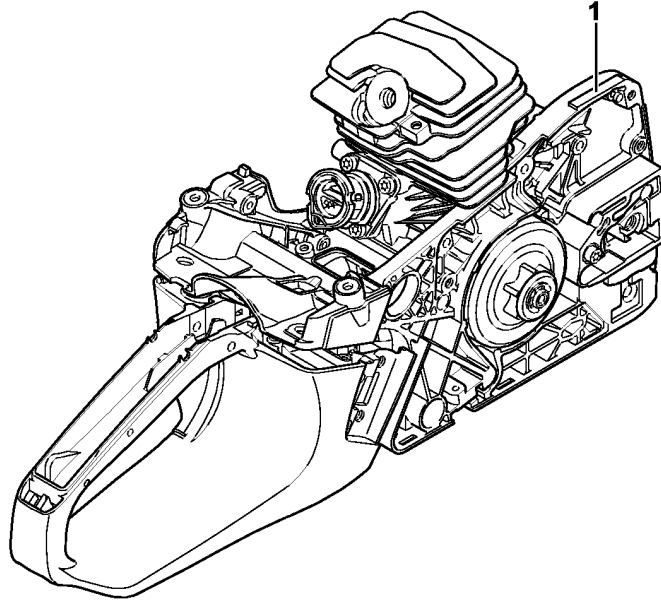


2310ET013 SC

(1) MS 231, (2) MS 231 C-BE, (3) MS 231 C-BE Z, (4) MS 231-Z, (5) MS 251, (6) MS 251 C-BE, (7) MS 251 C-BE Z, (8) MS 251 C-BEQ, (9) MS 251 C-BEQ Z, (10) MS 251 C-E, (11) MS 251-Z, (12) MS 251-Z WoodBoss

## 2-in-1 laser (not for USA, CDN)

Reference	Item number	Qty	Description	Contains
	1143 400 0200	1	2-in-1 laser (B)(C)	1 - 6
1	0000 400 0200	1	Laser (B)	2 - 5
2	0000 430 9900	1	Handle molding, bottom (B)	3
3	0000 967 7307	1	Warning pictogram (B)	
4	9074 478 2967	2	Pan head self-tapping screw IS-P4x10 (B)	
5	0000 491 0100	1	Bag (B)	
6	1143 791 5400	1	Support (B)	



2310ET021 SC

**Serial number**

---

Reference	Qty	Description
1	1	Position of serial number

---