

GENERAL PURPOSE ENGINE

GCV135
GCV135E
GCV160
GCV160A
GCV135A
GCV160E

PARTS CATALOGUE

7



GCV160

FOREWORD INDEX

1

ENGINE GROUP

2

PART NUMBER INDEX

3

PART NAME INDEX

4

Instruction for use of parts catalogue

- **This parts catalogue was prepared based on the latest information available as of October 20, 2007.**
- See the parts catalogue news for any revision that is made after October 20, 2007.
- **Always specify the part number when ordering a part.**
 - Check the model, type, serial numbers, color, maker, and the size as needed before ordering a part.
 - Note that the illustrations (part drawings) can differ from the actual parts in shape. They are given just to help you to refer to the parts.
- **When modifications or additions to this parts catalogue are made, a revised edition will be issued at an appropriate time, with successively progressing revision numbers on the cover. We recommend obtaining such revisions in order to keep your parts catalogue up-to-date at all times. To check whether a parts catalogue revision has been issued, please contact your Honda distributor.**

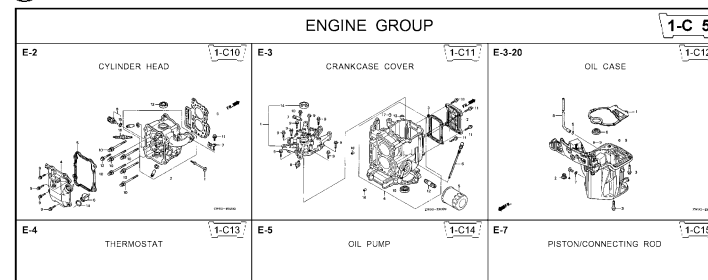
Initial version issue date **September 10, 1997**
Honda Motor Co., Ltd.

CONTENTS

	Page	Address No.	
● Instruction for use of parts catalogue	1	B 1	1
● How to refer to the part information	2	B 2	
● Part catalogue structure	3	B 3	
● When the parts were revised	4	B 4	
● Abbreviations used in the parts catalogue	4	B 4	
● How to check the part block and serial numbers	5	B 5	
● Models, parts catalogue codes and applicable serial numbers	6	B 6	
● Features of each type	14	B14	
● Fuel hose, general purpose hoses and vinyl hose	34	D 2	
● FLAT RATE SERVICE TIME	35	D 3	
● Illustrated index	40	D 8	
● ENGINE GROUP	43	E 1	2
● PART NO. INDEX	117	J 1	3
● PART NAME INDEX	120	K 1	4

How to refer to the part information

A Reference with "Illustrated index"



B Reference with "Part number index"

PART NO. INDEX

Part Number	Address	Page	Rel.	Part Number	Address	Page
06000				15212-ZW9-000	1-C14	3C
06316-ZW9-000	1-69	88	1	15220-ZW9-003	1-C14	3C
11000				15332-ZW9-000	1-E8	5E
11300-ZW9-405	1-C11	27	1	15352-ZW9-A30	1-E11	5E
11300-ZW9-406	1-C11	27	1	15400-PFB-004	1-C11	27
11340-ZW9-000	1-C11	27	2	15422-ZW9-000	1-C14	3C
11342-ZW9-000	1-C11	27	3	15473-881-000	1-C14	3C
11381-ZW9-003	1-C12	28	1	15474-ZW9-000	1-C14	3C
				15611-921-000	1-C10	2E
				15655-ZW9-000	1-C11	27
				16000		
12000				16010-ZV4-005	1-D4	3E
12000-ZW9-405ZA	1-C11	27	4	16011-ZV4-005	1-D4	3E
12155-ZV4-A00	1-C13	29	1	16013-ZW9-003	1-D4	3E
12166-ZW9-000	1-C10	26	1	16016-ZW9-003	1-D4	3E
12209-GB4-681	1-C16	32	1	16016-ZW9-721	1-D4	3E
12210-ZW9-405ZA	1-C10	26	2	16023-ZW9-003	1-D4	3E
12216-ZE2-300	1-E8	58	1	16024-ZV4-650	1-D4	3E
	1-E11	58	1	16028-ZV4-650	1-D4	3E

C Reference with "Part name index"

PART NAME INDEX

Part name	Address	Page	Ref.
[A]			
ABSORBER , FUEL	1-E15	62	5
ARMATURE COMP.	1-D11	43	7
ARM COMP. , LINK JOINT	1-G6	85	18
ARM COMP. , SHIFT LINK	1-G6	85	14
ARM COMP. , TILT	1-F15	79	20
ARM , FUEL PUMP ROCKER	1-C16	32	4
ARM , REVERSE LOCK	1-F15	79	18
ARM , SHIFT LINK	1-F11	74	7
ARM , STOPPER	1-D1	33	12
ARM , THROTTLE REMOTE	1-F11	74	6
ARM , VALVE ROCKER	1-C16	32	3
[B]			
BAG , TOOL , 160MM	1-G5	84	10
BAND	1-G6	86	37
BAND B1 , WIRE	1-F6	69	1
BAND , CORD	1-F3	67	18
BAND , TUBE CLIP , 11MM	1-E15	63	20
BAND , TUBE CLIP , 12.5MM	1-E15	63	19

Address No. 1-C10

E-2 CYLINDER HEAD

Block No.

Ref No.

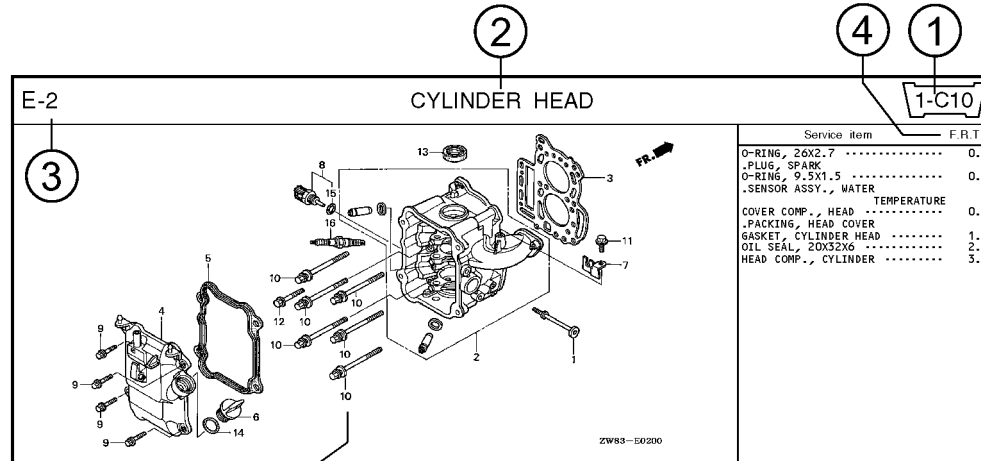
Ref. No.	Part No.	Description	Reqd. QTY						Serial No.	Parts catalogue code
			99D1	99D1	10D1	10D1	10B1	10B1		
1	12166-ZW9-000	STOPPER, ENGINE SIDE	2	2	2	2	2	2		
2	12210-ZW9-000ZA	HEAD COMP., CYLINDER	1	1	1	1	1	1		
3	12251-ZW9-003	GASKET, CYLINDER HEAD	1	1	1	1	1	1		
4	12310-ZW9-000	COVER COMP., HEAD	1	1	1	1	1	1		
5	12312-ZW9-000	PACKING, HEAD COVER	1	1	1	1	1	1		
6	15611-921-000	CAP, OIL (NO GAUGE)	1	1	1	1	1	1		
7	16617-ZW9-000	HOLDER, CABLE	1	1	1	1	1	1	SC,SG	
	16617-ZW9-010		1	1	1	1	1	1	1001800 LHC,LHD	
			1	1	1	1	1	1	1001801 LHC,LHD	
8	35673-ZW5-003	SENSOR ASSY., WATER	1	1	1	1	1	1		
9	90003-ZW9-000	BOLT, FLANGE, 6X22	4	4	4	4	4	4		
10	90007-ZW9-003	BOLT, FLANGE, 8X83	6	6	6	6	6	6		
11	90011-ZW9-000	BOLT, FLANGE, 6X14 (CT200)	1	1	1	1	1	1		
12	90020-ZW9-000	BOLT, FLANGE, 8X40	2	2	2	2	2	2		
13	91202-KJ9-003	OIL SEAL, 20X32X6	1	1	1	1	1	1		
14	91301-805-000	O-RING, 26X2.7	1	1	1	1	1	1		
15	91307-PK2-005	O-RING, 9.5X1.5 (HONDA KIKAKI)	1	1	1	1	1	1		
16	98059-55916	PLUG, SPARK (CR5EH-9)	2	2	2	2	2	2		
	98059-55926	PLUG, SPARK (U16FER9)	2	2	2	2	2	2		

ZW83-80200

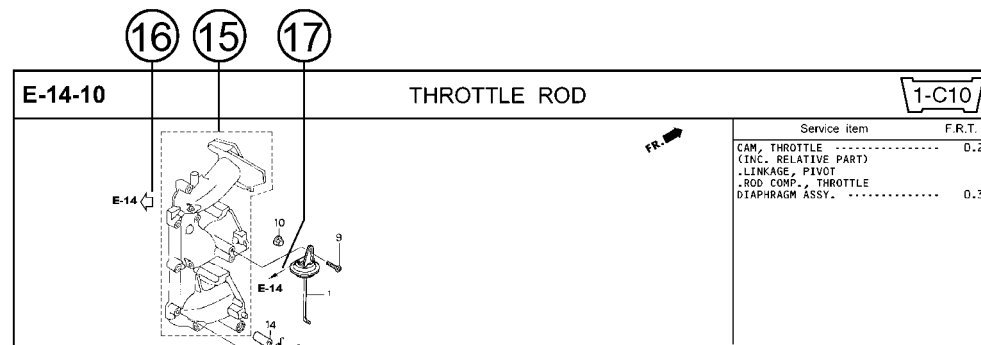
2000.09.20 E

Page No.

Part catalogue structure

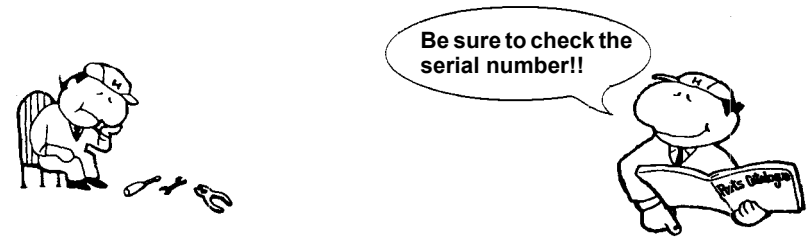


Ref. No.	Part No.	Description	Reqd. QTY						Serial No.	Parts catalogue code
			BF 9/9D1	BFP 9/9D1	BF 10D1	BFP 10D1	BF 10B1	BFP 10B1		
1	12166-zw9-000	STOPPER, ENGINE SIDE	2	2	2	2	2	2		
2	12210-zw9-000ZA	HEAD COMP., CYLINDER *NH8*	1	1	1	1	1	1		
3	12251-zw9-003	GASKET, CYLINDER HEAD	1	1	1	1	1	1		
4	12310-zw9-000	COVER COMP., HEAD	1	1	1	1	1	1		
5	12312-zw9-000	PACKING, HEAD COVER	1	1	1	1	1	1		
6	15611-921-000	CAP, OIL (NO GAUGE)	1	1	1	1	1	1		
7	16617-zw9-000	HOLDER, CABLE	1	1	1	1	1	1	SC,S6	
	16617-zw9-010		1	1	1	1	1	1	1001800 LHC,LHD	



- ① **Address number**
 - Address No. is provided (in place of the page No.) to help you refer to the part with the part No. or part name.
- ② **Block title** ③ **Block number**
- ④ **Service item/Flat rate time**
- ⑤ **Reference number**
 - Title number marked with the parenthesis or parentheses indicates that it continues from the previous page.
- ⑥ **Part number** ⑦ **Honda color code**
- ⑧ **Description**
- ⑨ **Assemblies**
 - Sections framed with broken lines in the exploded view drawings are available as complete assemblies. (Their individual parts can also be obtained.)
- ⑩ **Color description**
- ⑪ **Note**
 - Notes are shown with the parentheses in the part name column.
- ⑫ **Required quantity**
 - Required QTY shown in the parenthesis or parentheses indicates the optional part.
 - Required QTY marked with "N" Indicates the optional part that should be selected as needed.
 - Required QTY indicates the number of the part used in the block.
- ⑬ **Serial number**
- ⑭ **Type**
 - When the type column is blank, it indicates that the part is applicable to all types.
 - As the type of the actual unit may differ from the "parts catalogue, type" please refer to "Models, types and applicable serial numbers" for confirmation.
- ⑮ **[Dotted box]**
 - Parts enclosed within a dotted line [] are covered in a different block.
- ⑯ **[Hollow arrow]**
 - A hollow arrow [] indicates the block No. for the parts enclosed within a dotted line [] .
- ⑰ **[Solid arrow]**
 - A solid arrow [] indicates the block No. the part in question is connected to.

When the parts were revised



Ref. No.	Part No.	Description	Reqd. QTY						Serial No.
			BF 99D1	BFP 9.9D1	BF 10D1	BFP 10D1	BF 10B1	BFP 10B1	
1	12166-ZW9-000	STOPPER, ENGINE SIDE	2	2	2	2	2	2	
2	12210-ZW9-000ZA	HEAD COMP., CYLINDER *NH8*.....DARK GRAY	1	1	1	1	1	1	
3	12251-ZW9-003	GASKET, CYLINDER HEAD	1	1	1	1	1	1	
4	12310-ZW9-000	COVER COMP., HEAD	1	1	1	1	1	1	
5	12312-ZW9-000	PACKING, HEAD COVER	1	1	1	1	1	1	
6	15611-921-000	CAP, OIL (NO GAUGE)	1	1	1	1	1	1	
7	16617-ZW9-000	HOLDER, CABLE (###).....	1	1	1	1	1	1	SC, SG LHC, LHD LHC, LHD
	16617-ZW9-010	1	1	1	1	1	1	

The number has been used from the initial model without revision.

When shown at the left side, it is applicable to the models of No.1001801 and the subsequent numbers.

When shown at the right side, it is applicable to the models up to No.1001800.

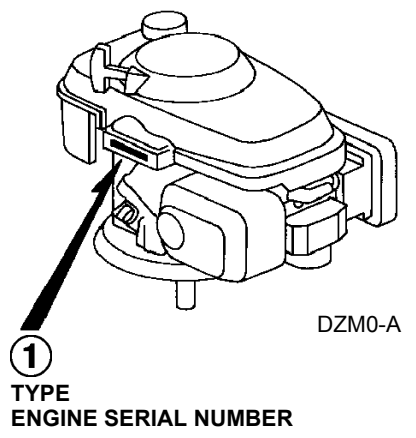
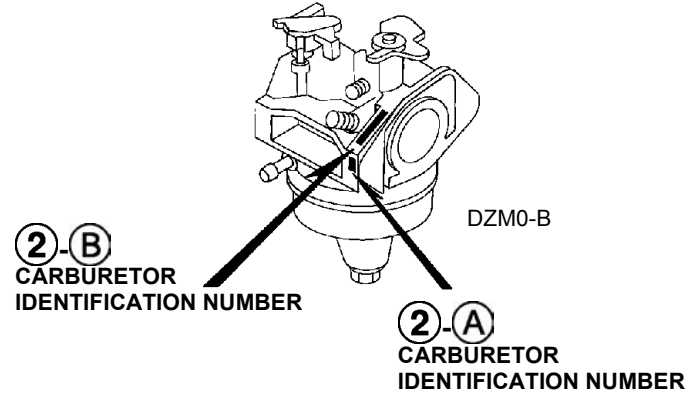
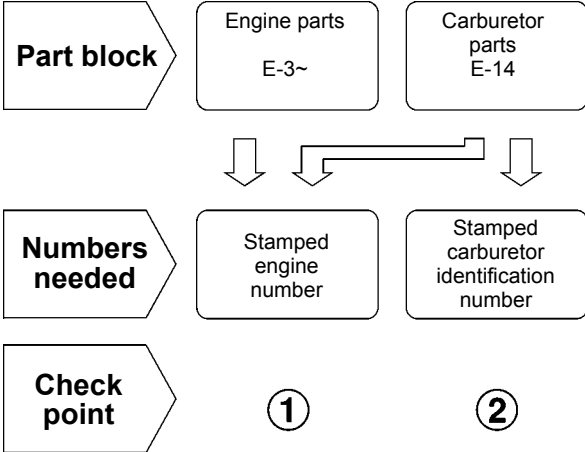
• The parts listed with "###" at the end of the parts name have limited supply period (parts not for sale).

Abbreviations used in the parts catalogue

• The following abbreviations are used in the parts name column.

- A Ampere
- A.C. Alternating current
- ASSY. Assembly
- AT. Automatic transmission
- C.D.I. Capacitive discharge ignition
- COMP. ... Complete
- D.C. Direct current
- EX. Exhaust
- G.F.C.I ... Ground fault circuit interruptor
- HEX. Hexagonal
- H.S.T. Hydrostatic transmission
- FR.Front
- IN.Inlet
- L (100L) .Link (100 Links)
- L.Left
- MMMillimeter
- MT.Manual Transmission
- P.T.O.Power take off
- R.Right
- RR.Rear
- STD.Standard
- T (22T) ...Tooth (22 Teeth)
- VVolt
- WWatt

How to check the part block and serial numbers



Models, parts catalogue codes and applicable serial numbers

• Models, parts catalogue codes and applicable serial Nos. given in this parts catalogue can be identified as follows.

Model	Type	Parts catalogue type	Applicable engine serial No.	Applicable carburetor identification No.	
GCV135	A1A	A1A	GJAF-1000001~9999999	BB64B A / B / C	
	A1C	A1C		BB64F A	
	A1D	A1D	GJAF-1000001~1011083	BB64A A / B / C BB64B C	
	A1E	A1E	GJAF-1000001~9999999	BB64A A / B / C BB64B C, BB64F A	
	A1E1	A1E1		BB64A A / B / C BB64B C	
	A1E7	A1E7		BB64F A	
	A1E8	A1E8			
	A1J	A1J		BB64A A / B / C BB64B C	
	A1U	A1U			
	A2A	A2A		BB64B A / B / C BB64F A	
	A2C	A2C			
	A2D	A2D		GJAF-1000001~1000165	BB64A A / B / C BB64B C
	A2E	A2E		GJAF-1000001~9999999	BB64A A / B / C BB64B C, BB64F A
	A2E1	A2E1	BB64A A / B / C BB64B C		
	A2E4	A2E4			
	A2E7	A2E7	BB64F A		
	A2E8	A2E8			

Model	Type	Parts catalogue type	Applicable engine serial No.	Applicable carburetor identification No.
GCV135	A2E9	A2E9	GJAF-1000001~9999999	BB64F A
	A2G	A2G		BB64A A / B / C BB64B C, BB64F A
	A2G7	A2G7		BB64F A
	A2R	A2R		BB64B C BB64F A
	A2U	A2U		
	A3E	A3E		GJAF-1000001~1000166
	A4E	A4E	GJAF-1000001~9999999	
	A7E1	A7E1		BB64G A
	N1D	N1D		BB64A A / B / C BB64B C, BB64F A
	N1E	N1E	GJAF-1000001~1602683	BB64A A / B / C BB64B C
	N1E1	N1E1	GJAF-1000001~9999999	BB64A A / B / C BB64B C, BB64F A
	N1G	N1G		BB64B C BB64F A
	N1S	N1S		BB64F A
	N1S7	N1S7		BB64F A
	N1U	N1U		BB64A A / B / C BB64B C, BB64F A
	N1W	N1W		BB64A B / C BB64B C, BB64F A
	N1W1	N1W1		BB64B C BB64F A

Model	Type	Parts catalogue type	Applicable engine serial No.	Applicable carburetor identification No.	Model	Type	Parts catalogue type	Applicable engine serial No.	Applicable carburetor identification No.
GCV135	N1W7	N1W7	GJAF-1000001~9999999	BB64F A	GCV135E	A2E	A2E	GJAFE-1000001~	BB64F A / B
	N1W8	N1W8		BB64A A / B / C BB64B C		A2E7	A2E7		
	N2D	N2D		BB64A A / B / C BB64B C, BB64F A		A2E8	A2E8		
	N2E	N2E		BB64A A / B / C BB64B C		A2E9	A2E9		
	N2E1	N2E1		GJAF-1000001~1029049	BB64A A / B / C BB64B C	A2G	A2G	GJAFE-1000001~9999999	BB64B C
	N2E2	N2E2				A2G4	A2G4	GJAFE-1000001~	BB64F A / B BB64F A / B BB64L A BB64F B BB64G A BB64F A / B
	N2E3	N2E3	A2G7			A2G7			
	N2E7	N2E7	A2G9	A2G9					
	N2E8	N2E8	A2R	A2R					
	N2E9	N2E9	A3G9	A3G9	GJAFE-1000001~	BB64F B BB64G A BB64F A / B			
	N2U	N2U	A4G4	A4G4					
	N7E1	N7E1	A4G7	A4G7					
	N7E2	N7E2	A4G9	A4G9					
GCV135E	A1E	A1E	GJAFE-1000001~	BB64F A / B	A7E1	A7E1	GJAFE-1000001~9999999	BB64B C	
	A1E7	A1E7			N1E	N1E			
	A1E8	A1E8			N1G	N1G	GJAFE-1000001~	BB64F A / B	
	A1G9	A1G9			N1S	N1S	GJAFE-1000001~	BB64B C	

Model	Type	Parts catalogue type	Applicable engine serial No.	Applicable carburetor identification No.	Model	Type	Parts catalogue type	Applicable engine serial No.	Applicable carburetor identification No.	
GCV135E	N1S7	N1S7	GJAFE-1000001~	BB64F A / B	GCV135E	S2E2	S2E2	GJAFE-1000001~	BB64N A	
	N1U	N1U				S2E3	S2E3		BB64P A	
	N1W	N1W				S3E9	S3E9		BB64N A	
	N1W7	N1W7				S3G9	S3G9		BB64P A	
	N1W8	N1W8				S4E4	S4E4		BB64N A	
	N2E	N2E				S4E9	S4E9		BB64P A	
	N2E1	N2E1				S4G4	S4G4			
	N2E3	N2E3				S4G9	S4G9			
	N2E7	N2E7			BB64F A / B BB64L A BB64F B BB64G A BB64H A	GCV160	A1A	A1A	GJAE-1000001~9999999	BB62B C / D
	N2E8	N2E8					A1C	A1C		BB62A C / D BB62B D
	N2E9	N2E9		A1E			A1E	BB62B D		
	N2KA	N2KA		A1E7			A1E7			
	N2KE	N2KE		A1E8			A1E8			
	N7E1	N7E1		A1G7			A1G7	BB62A C / D BB62B D		
	N7E2	N7E2		A1J			A1J			
S2E	S2E	A1P	A1P							
S2E1	S2E1	A1U	A1U							

Model	Type	Parts catalogue type	Applicable engine serial No.	Applicable carburetor identification No.	
GCV160	A1W2	A1W2	GJAE-1000001~9999999	BB62B D	
	A1W7	A1W7			
	A2A	A2A		BB62B C / D	
	A2C	A2C			
	A2E	A2E		BB62A C / D BB62B D	
	A2E4	A2E4		BB62B D	
	A2E7	A2E7			
	A2E8	A2E8			
	A2E9	A2E9			
	A2G7	A2G7			
	A2R	A2R			
	A2U	A2U			
	A3E	A3E		BB62A C / D BB62B D	
	A4E	A4E	GJAE-1000001~1000107		
	A7E1	A7E1	GJAE-1000001~9999999	BB62F A	
N1	N1	BB62A C / D BB62B D			
N1D	N1D				

Model	Type	Parts catalogue type	Applicable engine serial No.	Applicable carburetor identification No.	
GCV160	N1E1	N1E1	GJAE-1000001~9999999	BB62A C / D BB62B D	
	N1E2	N1E2			
	N1E7	N1E7			
	N1J1	N1J1		BB62B D	
	N1R	N1R			
	N1U	N1U		BB62A C / D BB62B D	
	N1W	N1W		BB62B D	
	N1W1	N1W1			
	N1W2	N1W2			
	N1W7	N1W7			
	N1W8	N1W8			
	N1W9	N1W9			
	N2	N2			
	N2D	N2D			
	N2E	N2E		BB62A C / D BB62B D	
N2E1	N2E1				
N2E2	N2E2				

Model	Type	Parts catalogue type	Applicable engine serial No.	Applicable carburetor identification No.	Model	Type	Parts catalogue type	Applicable engine serial No.	Applicable carburetor identification No.
GCV160	N2E3	N2E3	GJAE-1000001~9999999	BB62A C / D BB62B D	GCV160A	A1W7	A1W7	GJAEA-1000001~6699999	BB62B D / E
	N2E7	N2E7		BB62B D		A2A	A2A		BB62B D / E BB62W A
	N2E8	N2E8		BB62B D		A2C	A2C		GJAEA-1000001~
	N2E9	N2E9		BB62A C / D BB62B D		A2E7	A2E7	GJAEA-1000001~6699999	
	N2U	N2U		BB62B D		A2E8	A2E8		GJAEA-1000001~
	N3U	N3U		BB62A C / D BB62B D		A2E9	A2E9		
	N3V	N3V		BB62F A		A2G7	A2G7	GJAEA-1000001~	BB62B D / E BB62W A
	N7A1	N7A1		BB62B D / E BB62W A		A2R	A2R		GJAEA-1000001~6699999
A1A	A1A	BB62B D BB62H A / B BB65A A	A3A	A3A	GJAEA-1000001~	BB62B D / E			
A1AE	A1AE	BB62B D / E BB62W A	A3E	A3E		GJAEA-1000001~	BB62F A / B		
A1AF	A1AF	GJAEA-1000001~6699999	BB62B D / E BB62W A	A7E1	A7E1		GJAEA-1000001~	BB62B D / E BB62W A	
A1AS	A1AS			GJAEA-1000001~	BB62B D / E	BHH			BHH
A1C	A1C	GJAEA-1000001~6699999	BB62B D / E			BHH1	BHH1	GJAEA-1000001~	
A1E	A1E			GJAEA-1000001~6699999	BB62B D / E	C1E	C1E		GJAEA-1000001~
A1E7	A1E7	GJAEA-1000001~6699999	BB62B D / E			C1E1	C1E1	GJAEA-1000001~	
A1E8	A1E8			GJAEA-1000001~	BB62B E	C2E	C2E		GJAEA-1000001~
A1M	A1M	GJAEA-1000001~	BB62B E			C2E1	C2E1	GJAEA-1000001~	

Model	Type	Parts catalogue type	Applicable engine serial No.	Applicable carburetor identification No.
GCV160A	C3E	C3E	GJAEA-1000001~	BB62W A
	C3E1	C3E1		
	C4E	C4E		
	C4E1	C4E1		
	EHHB	EHHB	GJAEA-8000001~9999999	BB62B D / E
	E1A2	E1A2		
	E1A4	E1A4		
	E1G7	E1G7		
	E2G7	E2G7	GJAEA-8000001~	BB62B E BB62W A BB62B D / E BB62W A BB62B D, BB62H A BB62H B, BB65A A BB62B D / E BB62W A BB62B D / E
	E5A4	E5A4	GJAEA-8000001~9999999	
	NBL1	NBL1	GJAEA-1000001~	
	N1A	N1A		
	N1AF	N1AF		
	N1C	N1C	GJAEA-1000001~6699999	
	N1E1	N1E1		
N1E7	N1E7			
N1L	N1L	GJAEA-1000001~		

Model	Type	Parts catalogue type	Applicable engine serial No.	Applicable carburetor identification No.
GCV160A	N1R	N1R	GJAEA-1000001~	BB62B D / E
	N1U	N1U		
	N1W7	N1W7	GJAEA-1000001~6699999	
	N1W8	N1W8		
	N1W9	N1W9		
	N2E7	N2E7		
	N2E8	N2E8		
	N2E9	N2E9		
	N2U	N2U	GJAEA-1000001~	
	N3U	N3U	GJAEA-1000001~6699999	
	N3V	N3V		
	N5A	N5A		
	N5AF	N5AF	GJAEA-1000001~	
	N5C	N5C	GJAEA-1000001~6699999	
	N5MF	N5MF	GJAEA-1000001~	
N5R	N5R			
N7A1	N7A1			

Model	Type	Parts catalogue type	Applicable engine serial No.	Applicable carburetor identification No.
GCV160A	N7S1	N7S1	GJAEA-1000001~	BB62F B
	RTL1	RTL1		BB62G B BB62Z A
	R1A	R1A	GJAEA-8000001~9999999	BB62G A / B BB62Z A
	R3A	R3A	GJAEA-8000001~	
	R3A1	R3A1	GJAEA-8000001~9999999	
	STA1	STA1	GJAEA-1000001~6699999	
	STL1	STL1	GJAEA-1000001~	BB62G B BB62Z A
	S1A	S1A		BB62G A / B BB62Z A
	S1A1	S1A1	GJAEA-1000001~6699999	BB62Z A
	S1M	S1M	GJAEA-1000001~	BB65E A
	S2G7	S2G7		BB62G A / B BB62Z A
	S3A	S3A		
	S3A2	S3A2		BB62S A BB65E A
	S3H	S3H		BB62G B
S3H2	S3H2			
GCV135A	N1A	N1A		GJAF A-1000001~9999999
	N5A	N5A		

Model	Type	Parts catalogue type	Applicable engine serial No.	Applicable carburetor identification No.
GCV160E	A1E7	A1E7	GJAAE-1000001~	BB62B D / E
	A1E8	A1E8		
	A1G7	A1G7		
	A1G9	A1G9		
	A1P	A1P		
	A1W7	A1W7		
	A2A9	A2A9		
	A2E7	A2E7		
	A2E8	A2E8		
	A2E9	A2E9		
	A2G4	A2G4		
	A2G7	A2G7		
	A2G9	A2G9		
	A2R	A2R		
	A3E7	A3E7		
	A3E9	A3E9		BB62B E
	A3G9	A3G9		BB62W A

Model	Type	Parts catalogue type	Applicable engine serial No.	Applicable carburetor identification No.	Model	Type	Parts catalogue type	Applicable engine serial No.	Applicable carburetor identification No.
GCV160E	A3T9	A3T9	GJAAE-1000001~	BB62B E	GCV160E	N2E8	N2E8	GJAAE-1000001~	BB62B D / E
	A3W7	A3W7				N2E9	N2E9		
	A3W8	A3W8				N3T8	N3T8		
	A4G4	A4G4		BB62W A		N3T9	N3T9		BB62B E
	A4G7	A4G7				N3W8	N3W8		
	A4G9	A4G9				N3W9	N3W9		
	A7E1	A7E1		BB64F A / B		N7A1	N7A1		BB64F A / B
	N1D	N1D		BB62B D / E		S1E1	S1E1		BB62G A
	N1E1	N1E1				S2E	S2E		
	N1E2	N1E2				S2E1	S2E1		BB65E A
	N1E7	N1E7				S2E2	S2E2		
	N1J1	N1J1				S2E3	S2E3		BB65K A
	N1R	N1R				S3E9	S3E9		BB65E A
	N1T8	N1T8				S3G9	S3G9		BB65K A
	N1T9	N1T9				S4E4	S4E4		BB65E A
	N1W7	N1W7				S4E9	S4E9		
	N1W8	N1W8				S4G4	S4G4		BB65K A
N1W9	N1W9	S4G9	S4G9						
N2E7	N2E7								

* Of carburetor identification numbers, only the portions underlined in the example below are used for registration.

BB 64B A KC +

(A) (B)

Features of each type

• See the following table for the features of each type. (Items in brackets are optional)

Specifications		Model	GCV135													
		Type	A1A	A1C	A1D	A1E	A1E1	A1E7	A1E8	A1J	A1U	A2A	A2C	A2D	A2E	A2E1
Crankshaft	(12-20)Øx133.8mm															
	(10-22.2)Ø x 100.4mm															
	(12-22.2)Ø x 117.4mm										●	●	●	●	●	
	(10.5-22.2)Ø x 117.4mm															
	(12-22.2)Ø x 135.7mm	●	●	●	●	●	●	●	●	●						
	(12-25)Ø x 117.4mm															
	(12-25)Ø x 135.7mm															
	(13-25)Ø x 135.7mm															
	M14 Stepped thread															
Recoil starter																
Recoil starter (Long rope)		●	●	●	●	●	●	●	●	●	●	●	●	●	●	●
Flywheel brake		●	●	●	●	●	●	●	●	●	●	●	●	●	●	●

1

Specifications		Model	GCV135													
		Type	A2E4	A2E7	A2E8	A2E9	A2G	A2G7	A2R	A2U	A3E	A4E	A7E1	N1D	N1E	N1E1
Crankshaft	(12-20)Øx133.8mm															
	(10-22.2)Ø x 100.4mm															
	(12-22.2)Ø x 117.4mm	●	●	●	●	●	●	●	●							
	(10.5-22.2)Ø x 117.4mm											●				
	(12-22.2)Ø x 135.7mm												●	●	●	
	(12-25)Ø x 117.4mm											●				
	(12-25)Ø x 135.7mm										●					
	(13-25)Ø x 135.7mm															
	M14 Stepped thread															
Recoil starter								●				●	●	●	●	
Recoil starter (Long rope)		●	●	●	●	●	●		●	●	●					
Flywheel brake		●	●	●	●	●	●		●	●	●	●				

Specifications		Model	GCV135													
		Type	N1G	N1S	N1S7	N1U	N1W	N1W1	N1W7	N1W8	N2D	N2E	N2E1	N2E2	N2E3	N2E7
Crankshaft	(12-20)Øx133.8mm	●														
	(10-22.2)Ø x 100.4mm															
	(12-22.2)Ø x 117.4mm										●	●	●	●	●	●
	(10.5-22.2)Ø x 117.4mm															
	(12-22.2)Ø x 135.7mm		●	●	●	●	●	●	●							
	(12-25)Ø x 117.4mm															
	(12-25)Ø x 135.7mm															
	(13-25)Ø x 135.7mm															
	M14 Stepped thread															
Recoil starter					●						●	●	●	●	●	●
Recoil starter (Long rope)		●	●	●		●	●	●	●							
Flywheel brake			●	●												

Specifications		Model	GCV135					GCV135E								
		Type	N2E8	N2E9	N2U	N7E1	N7E2	A1E	A1E7	A1E8	A1G9	A2E	A2E7	A2E8	A2E9	A2G
Crankshaft	(12-20)Øx133.8mm															
	(10-22.2)Ø x 100.4mm															
	(12-22.2)Ø x 117.4mm	●	●	●							●	●	●	●	●	
	(10.5-22.2)Ø x 117.4mm				●	●										
	(12-22.2)Ø x 135.7mm						●	●	●	●						
	(12-25)Ø x 117.4mm															
	(12-25)Ø x 135.7mm															
	(13-25)Ø x 135.7mm															
	M14 Stepped thread															
Recoil starter		●	●	●	●	●										
Recoil starter (Long rope)							●	●	●	●	●	●	●	●	●	●
Flywheel brake							●	●	●	●	●	●	●	●	●	●

1

Specifications		Model	GCV135E												
		Type	A2G4	A2G7	A2G9	A2R	A3G9	A4G4	A4G7	A4G9	A7E1	N1E	N1G	N1S	N1S7
Crankshaft	(12-20)Øx133.8mm											●			
	(10-22.2)Ø x 100.4mm														
	(12-22.2)Ø x 117.4mm	●	●	●	●										
	(10.5-22.2)Ø x 117.4mm									●					
	(12-22.2)Ø x 135.7mm										●		●	●	●
	(12-25)Ø x 117.4mm							●	●	●					
	(12-25)Ø x 135.7mm						●								
	(13-25)Ø x 135.7mm														
	M14 Stepped thread														
Recoil starter					●					●	●				●
Recoil starter (Long rope)		●	●	●		●	●	●	●			●	●	●	
Flywheel brake		●	●	●		●	●	●	●	●			●	●	

Specifications		Model	GCV135E													
		Type	N1W	N1W7	N1W8	N2E	N2E1	N2E3	N2E7	N2E8	N2E9	N2KA	N2KE	N7E1	N7E2	S2E
Crankshaft	(12-20)Øx133.8mm															
	(10-22.2)Ø x 100.4mm															
	(12-22.2)Ø x 117.4mm				●	●	●	●	●	●	●	●				●
	(10.5-22.2)Ø x 117.4mm													●	●	
	(12-22.2)Ø x 135.7mm	●	●	●												
	(12-25)Ø x 117.4mm															
	(12-25)Ø x 135.7mm															
	(13-25)Ø x 135.7mm															
	M14 Stepped thread															
Recoil starter					●	●	●	●	●	●			●	●		
Recoil starter (Long rope)		●	●	●								●	●			●
Flywheel brake																●

1

Specifications		Model	GCV135E								GCV160				
		Type	S2E1	S2E2	S2E3	S3E9	S3G9	S4E4	S4E9	S4G4	S4G9	A1A	A1C	A1E	A1E7
Crankshaft	(12-20)Øx133.8mm														
	(10-22.2)Ø x 100.4mm														
	(12-22.2)Ø x 117.4mm	●	●	●											
	(10.5-22.2)Ø x 117.4mm														
	(12-22.2)Ø x 135.7mm										●	●	●	●	●
	(12-25)Ø x 117.4mm						●	●	●	●					
	(12-25)Ø x 135.7mm				●	●									
	(13-25)Ø x 135.7mm														
	M14 Stepped thread														
Recoil starter															
Recoil starter (Long rope)		●	●	●	●	●	●	●	●	●	●	●	●	●	●
Flywheel brake		●	●	●	●	●	●	●	●	●	●	●	●	●	●

Specifications		Model	GCV160													
		Type	A1G7	A1J	A1P	A1U	A1W2	A1W7	A2A	A2C	A2E	A2E4	A2E7	A2E8	A2E9	A2G7
Crankshaft	(12-20)Øx133.8mm															
	(10-22.2)Ø x 100.4mm															
	(12-22.2)Ø x 117.4mm							●	●	●	●	●	●	●	●	●
	(10.5-22.2)Ø x 117.4mm															
	(12-22.2)Ø x 135.7mm	●	●	●	●	●	●									
	(12-25)Ø x 117.4mm															
	(12-25)Ø x 135.7mm															
	(13-25)Ø x 135.7mm															
	M14 Stepped thread															
Recoil starter																
Recoil starter (Long rope)		●	●	●	●	●	●	●	●	●	●	●	●	●	●	●
Flywheel brake		●	●	●	●	●	●	●	●	●	●	●	●	●	●	●

1

Specifications		Model	GCV160													
		Type	A2R	A2U	A3E	A4E	A7E1	N1	N1D	N1E1	N1E2	N1E7	N1J1	N1R	N1U	N1W
Crankshaft	(12-20)Øx133.8mm															
	(10-22.2)Ø x 100.4mm															
	(12-22.2)Ø x 117.4mm	●	●													
	(10.5-22.2)Ø x 117.4mm					●										
	(12-22.2)Ø x 135.7mm						●	●	●	●	●	●	●	●	●	●
	(12-25)Ø x 117.4mm				●											
	(12-25)Ø x 135.7mm			●												
	(13-25)Ø x 135.7mm															
	M14 Stepped thread															
Recoil starter		●				●		●	●	●	●	●		●		
Recoil starter (Long rope)			●	●	●		●						●		●	
Flywheel brake			●	●	●	●	●									

Specifications		Model	GCV160													
		Type	N1W1	N1W2	N1W7	N1W8	N1W9	N2	N2D	N2E	N2E1	N2E2	N2E3	N2E7	N2E8	N2E9
Crankshaft	(12-20)Øx133.8mm															
	(10-22.2)Ø x 100.4mm															
	(12-22.2)Ø x 117.4mm						●	●	●	●	●	●	●	●	●	●
	(10.5-22.2)Ø x 117.4mm															
	(12-22.2)Ø x 135.7mm	●	●	●	●	●										
	(12-25)Ø x 117.4mm															
	(12-25)Ø x 135.7mm															
	(13-25)Ø x 135.7mm															
	M14 Stepped thread															
Recoil starter								●	●	●	●	●	●	●	●	●
Recoil starter (Long rope)		●	●	●	●	●	●									
Flywheel brake							●									

Specifications		Model	GCV160				GCV160A									
		Type	N2U	N3U	N3V	N7A1	A1A	A1AE	A1AF	A1AS	A1C	A1E	A1E7	A1E8	A1M	A1W7
Crankshaft	(12-20)Øx133.8mm															
	(10-22.2)Ø x 100.4mm															
	(12-22.2)Ø x 117.4mm	●														
	(10.5-22.2)Ø x 117.4mm				●											
	(12-22.2)Ø x 135.7mm					●	●	●	●	●	●	●	●	●	●	●
	(12-25)Ø x 117.4mm															
	(12-25)Ø x 135.7mm		●	●												
	(13-25)Ø x 135.7mm															
	M14 Stepped thread															
Recoil starter		●		●	●											
Recoil starter (Long rope)			●			●	●	●	●	●	●	●	●	●	●	●
Flywheel brake						●	●	●	●	●	●	●	●	●	●	●

Specifications		Model	GCV160A												
		Type	A2A	A2C	A2E7	A2E8	A2E9	A2G7	A2R	A3A	A3E	A7E1	BHH	BHH1	C1E
Crankshaft	(12-20)Øx133.8mm											●	●		
	(10-22.2)Ø x 100.4mm														
	(12-22.2)Ø x 117.4mm	●	●	●	●	●	●	●							
	(10.5-22.2)Ø x 117.4mm										●				
	(12-22.2)Ø x 135.7mm													●	●
	(12-25)Ø x 117.4mm														
	(12-25)Ø x 135.7mm									●	●				
	(13-25)Ø x 135.7mm														
	M14 Stepped thread														
Recoil starter								●			●				
Recoil starter (Long rope)		●	●	●	●	●	●		●	●		●	●	●	●
Flywheel brake		●	●	●	●	●	●		●	●	●			●	●

1

Specifications		Model	GCV160A													
		Type	C2E	C2E1	C3E	C3E1	C4E	C4E1	EHHB	E1A2	E1A4	E1G7	E2G7	E5A4	NBL1	N1A
Crankshaft	(12-20)Øx133.8mm								●							
	(10-22.2)Ø x 100.4mm													●		
	(12-22.2)Ø x 117.4mm	●	●										●			
	(10.5-22.2)Ø x 117.4mm															
	(12-22.2)Ø x 135.7mm									●	●	●				●
	(12-25)Ø x 117.4mm					●	●									
	(12-25)Ø x 135.7mm			●	●											
	(13-25)Ø x 135.7mm															
	M14 Stepped thread															●
Recoil starter											●			●		●
Recoil starter (Long rope)		●	●	●	●	●	●	●	●	●		●	●		●	
Flywheel brake		●	●	●	●	●	●		●		●	●				

Specifications		Model	GCV160A													
		Type	N1AF	N1C	N1E1	N1E7	N1L	N1R	N1U	N1W7	N1W8	N1W9	N2E7	N2E8	N2E9	N2U
Crankshaft	(12-20)Øx133.8mm															
	(10-22.2)Ø x 100.4mm															
	(12-22.2)Ø x 117.4mm											●	●	●	●	
	(10.5-22.2)Ø x 117.4mm															
	(12-22.2)Ø x 135.7mm	●	●	●	●	●	●	●	●	●	●					
	(12-25)Ø x 117.4mm															
	(12-25)Ø x 135.7mm															
	(13-25)Ø x 135.7mm															
	M14 Stepped thread															
Recoil starter		●	●	●	●	●		●				●	●	●	●	
Recoil starter (Long rope)								●		●	●	●				
Flywheel brake																

Specifications		Model	GCV160A													
		Type	N3U	N3V	N5A	N5AF	N5C	N5MF	N5R	N7A1	N7S1	RTL1	R1A	R3A	R3A1	STA1
Crankshaft	(12-20)Øx133.8mm															
	(10-22.2)Ø x 100.4mm			●	●	●	●	●								
	(12-22.2)Ø x 117.4mm															
	(10.5-22.2)Ø x 117.4mm								●	●						
	(12-22.2)Ø x 135.7mm											●				
	(12-25)Ø x 117.4mm															
	(12-25)Ø x 135.7mm	●	●											●		
	(13-25)Ø x 135.7mm											●			●	●
	M14 Stepped thread															
Recoil starter			●	●	●	●	●	●	●	●						
Recoil starter (Long rope)		●									●	●	●	●	●	
Flywheel brake											●	●	●	●	●	

Specifications		Model	GCV160A								GCV135A		GCV160E			
		Type	STL1	S1A	S1A1	S1M	S2G7	S3A	S3A2	S3H	S3H2	N1A	N5A	A1E7	A1E8	A1G7
Crankshaft	(12-20)Øx133.8mm															
	(10-22.2)Ø x 100.4mm											●				
	(12-22.2)Ø x 117.4mm					●										
	(10.5-22.2)Ø x 117.4mm															
	(12-22.2)Ø x 135.7mm		●	●	●						●		●	●	●	
	(12-25)Ø x 117.4mm															
	(12-25)Ø x 135.7mm							●	●	●	●					
	(13-25)Ø x 135.7mm	●														
	M14 Stepped thread															
Recoil starter											●	●				
Recoil starter (Long rope)		●	●	●	●	●	●	●	●	●			●	●	●	
Flywheel brake		●	●	●	●	●	●	●	●	●			●	●	●	

1

Specifications		Model	GCV160E													
		Type	A1G9	A1P	A1W7	A2A9	A2E7	A2E8	A2E9	A2G4	A2G7	A2G9	A2R	A3E7	A3E9	A3G9
Crankshaft	(12-20)Øx133.8mm															
	(10-22.2)Ø x 100.4mm															
	(12-22.2)Ø x 117.4mm				●	●	●	●	●	●	●	●				
	(10.5-22.2)Ø x 117.4mm															
	(12-22.2)Ø x 135.7mm	●	●	●												
	(12-25)Ø x 117.4mm															
	(12-25)Ø x 135.7mm												●	●	●	
	(13-25)Ø x 135.7mm															
	M14 Stepped thread															
Recoil starter												●				
Recoil starter (Long rope)		●	●	●	●	●	●	●	●	●	●		●	●	●	
Flywheel brake		●	●	●	●	●	●	●	●	●	●		●	●	●	

Specifications		Model	GCV160E													
		Type	A3T9	A3W7	A3W8	A4G4	A4G7	A4G9	A7E1	N1D	N1E1	N1E2	N1E7	N1J1	N1R	N1T8
Crankshaft	(12-20)Øx133.8mm															
	(10-22.2)Ø x 100.4mm															
	(12-22.2)Ø x 117.4mm															
	(10.5-22.2)Ø x 117.4mm							●								
	(12-22.2)Ø x 135.7mm								●	●	●	●	●	●	●	●
	(12-25)Ø x 117.4mm				●	●	●									
	(12-25)Ø x 135.7mm	●	●	●												
	(13-25)Ø x 135.7mm															
	M14 Stepped thread															
Recoil starter								●	●	●	●	●	●			
Recoil starter (Long rope)		●	●	●	●	●	●							●	●	
Flywheel brake		●	●	●	●	●	●	●								

Specifications		Model	GCV160E													
		Type	N1T9	N1W7	N1W8	N1W9	N2E7	N2E8	N2E9	N3T8	N3T9	N3W8	N3W9	N7A1	S1E1	S2E
Crankshaft	(12-20)Øx133.8mm															
	(10-22.2)Ø x 100.4mm															
	(12-22.2)Ø x 117.4mm					●	●	●								●
	(10.5-22.2)Ø x 117.4mm													●		
	(12-22.2)Ø x 135.7mm	●	●	●	●										●	
	(12-25)Ø x 117.4mm															
	(12-25)Ø x 135.7mm									●	●	●	●			
	(13-25)Ø x 135.7mm															
	M14 Stepped thread															
Recoil starter						●	●	●						●		
Recoil starter (Long rope)		●	●	●	●				●	●	●	●		●	●	
Flywheel brake														●	●	

Specifications		Model	GCV160E								
		Type	S2E1	S2E2	S2E3	S3E9	S3G9	S4E4	S4E9	S4G4	S4G9
Crankshaft	(12-20)Øx133.8mm										
	(10-22.2)Ø x 100.4mm										
	(12-22.2)Ø x 117.4mm	●	●	●							
	(10.5-22.2)Ø x 117.4mm										
	(12-22.2)Ø x 135.7mm										
	(12-25)Ø x 117.4mm						●	●	●	●	
	(12-25)Ø x 135.7mm				●	●					
	(13-25)Ø x 135.7mm										
	M14 Stepped thread										
Recoil starter											
Recoil starter (Long rope)		●	●	●	●	●	●	●	●	●	●
Flywheel brake		●	●	●	●	●	●	●	●	●	●

Fuel hose, general purpose hoses and vinyl hose

- The standard part fuel hose, general purpose hose and vinyl hose may be substituted by the coiled bulk part.
- When ordering the standard part fuel hose, general purpose hose and vinyl hose use the bulk part number written in the parts catalog in brackets () underneath the part name.
- When exchanging the hose, cut and use at the specified length as mentioned in the part name.
(For the method of cutting the bulk part, and method of filling out orders etc., please refer to the instructions issued with the bulk part.)

Bulk part number of fuel hose, general purpose hose and vinyl hose.

Example: 9 5 0 0 1 - 7 5 0 0 1 - 5 0 M

Bulk part number:
Refers to the bulk part.

Marking code (fuel hose and general purpose hose)

Change code (Vinyl hose)

Indicates number mark or change sequence, however, the code for the bulk part must be strictly 0 (zero).

Types of code:

- | | | | | | |
|-------------|--|----------------|--|--------------|---|
| • Fuel hose | 2: Red outside braid
(3 mm inside dia. only) | • General hose | 1: Ash gray
2: Ash gray
3: Black
5: Black | • Vinyl hose | 1: Clear
2: Black
3: Light red
6: Light red
7: Pale black |
| | 5: Black inside braid | | | | |
| | 3: Red (3 mm inside dia. only) | | | | |
| | 4: Ash gray with red stripe
(3 mm inside dia. only) | | | | |
| | 6: Black | | | | |

Lengths:

- 001: 1 m (standard)
003: 3 m
008: 8 m } Application or specification of some parts is not settled.

I.D code: (fuel hose and general purpose hose)

- | | | | | |
|------------|--------------------|--------------------|-----------------------------|-----------------------------|
| 30: 3.0 mm | 50: 5.0 mm | 70: 7.0 mm | 11: 11 mm | 12: 12 (outside dia. 17) mm |
| 35: 3.5 mm | 55: 5.3 mm, 5.5 mm | 75: 7.3 mm, 7.5 mm | 91: 12 (outside dia. 15) mm | 14: 14 mm |
| 45: 4.5 mm | 65: 6.5 mm | 80: 8.0 mm | 92: 12 (outside dia. 16) mm | 17: 17 mm |

ID./OD. code: (vinyl hose)

- | | | | | |
|-------------------------|--------------------------|---------------------------|---------------------------|---------------------------|
| 01: ID. 2.9, OD. 6.8 mm | 12: ID. 5.0, OD. 7.0 mm | 21: ID. 8.0, OD. 9.0 mm | 37: ID. 11.0, OD. 15.0 mm | 50: ID. 16.0, OD. 19.0 mm |
| 03: ID. 3.0, OD. 6.0 mm | 10: ID. 5.0, OD. 8.0 mm | 23: ID. 8.0, OD. 12.0 mm | 38: ID. 12.0, OD. 13.0 mm | 55: ID. 17.5, OD. 20.5 mm |
| 05: ID. 3.5, OD. 6.5 mm | 11: ID. 5.0, OD. 9.0 mm | 25: ID. 9.0, OD. 11.0 mm | 39: ID. 12.0, OD. 14.0 mm | 60: ID. 22.0, OD. 27.0 mm |
| 07: ID. 4.0, OD. 7.0 mm | 14: ID. 6.0, OD. 9.0 mm | 27: ID. 9.0, OD. 13.0 mm | 40: ID. 12.0, OD. 16.0 mm | |
| 08: ID. 4.5, OD. 6.5 mm | 17: ID. 7.0, OD. 9.0 mm | 33: ID. 10.0, OD. 14.0 mm | 43: ID. 13.0, OD. 15.0 mm | |
| 09: ID. 4.5, OD. 8.0 mm | 19: ID. 7.0, OD. 11.0 mm | 36: ID. 11.0, OD. 13.0 mm | 45: ID. 14.0, OD. 18.0 mm | |

Hose type:

- 1: Fuel hose
3: Vinyl hose
5: General hose

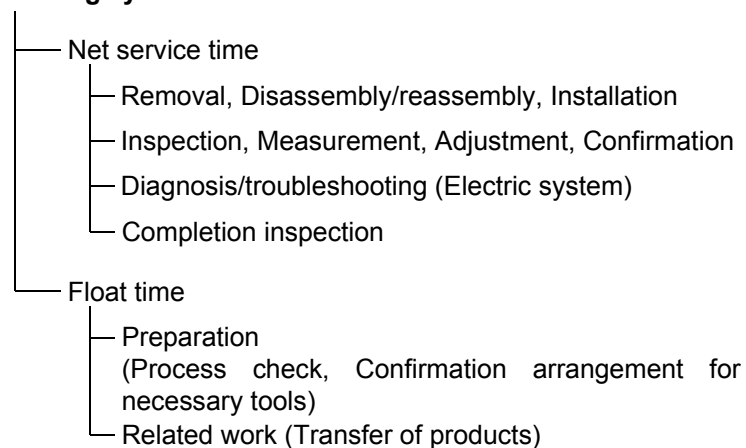
⊙ **CAUTION: It is DANGEROUS to confuse the fuel hose with the general purpose hose or vinyl hose.**

Never use a general purpose hose or vinyl hose in place of a fuel hose or vice versa. Always use the correct bulk part in the parts catalogue, according to the service manual or the instructions issued with the bulk part.

FLAT RATE SERVICE TIME

Flat rate service time (FRT) means the standard time required to service a product, which is listed in this manual to help the dealers control the actual working process and calculate the service charge by using it as a guide.

FRT setting system



* Float time is set by multiplying the net service time by a given coefficient.

Editorial style

The service items shown in the text are listed with the exchange work time for the repair sales parts as the subject. Other representative service items not using repair parts (removal/installation, adjustment, inspection/measuring, and other work) are listed collectively in the list in the preface, classified according to the work.

FRT setting standard

- Decimal system (in unit of 0.1) is adopted to set FRT as it is convenient to calculate the wage.
Example: (0.1) → 6 minutes, (0.2) → 12 minutes
[Labor cost per hour] x [FRT] = [Wage]
- FRT is set with a hand tool.
- Service items and FRT can be subject to change depending on development of tools and service equipment and improvement in service procedure.

Work procedure

- As the work procedure is set with the work time according to the method in the separate Service Manual, refer to this Manual as required.
- Work methods permitting servicing in the shortest time still permitting assurance of safe work and product warranty are used for the setting of service items not listed in the Service Manual.
- Work basically is to be performed by one person, and when two or more people are required, setting is done as the total time for the number of people.
- The set value for the technological level of the workers uses a person with three years of experience in the repair of Honda products as the standard.
- Special tools and service equipment used to set FRT are those specified or recommended in Service Manual.

Service item whose FRT is not presented

- Accessories and service parts that are not listed to use in this manual.
 - Locations with little aging deterioration or breakage during normal use.
 - Service work that can be finished by one touch.
 - Service work that is seldom done (i.e. extremely small causes of trouble and service frequency).
 - Products and parts whose location for installation differs according to its status of use and application.
- * When FRT is not presented, please calculate wages based on appropriate actual work time.

Operation not included of FRT

- Oil and coolant water draining, Waiting time for warming up operation and etc..
- Additional operation that involves removal/installation of standard exterior equipment.
- Indirect time spent for service by visiting the customer, trade-in, and delivery.
- Indirect time required for ordering and delivery of parts.
- Cost for grease, adhesive agent, etc. used for service work.

**Explanation of FRT by using an example
(The example may differ from the actual presented items)**

Ref. No.	L.O.N.	Description	F.R.T.
①	1111L1	VALVE, INTAKE4.1	②
③	1111L1A	One head (intake all) add1.4	⑤

- ① Reference No. of the illustration of part that shows location of the replacement work.
- ② FRT is an abbreviation of Flat Rate Time indicating the standard service time required for the replacement.
- ③ LON is an abbreviation of Labor Operation Number, and it is a classification of the service items by the work unit code.

The same operation code is used regardless of the models.

Standard operation is indicated with 6 digits code, and additional operation is indicated with 7 digits code.

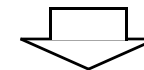
- ④ Indicating the intake valve replacement and FRT4.1.
- ⑤ Indicating FRT1.4 that will be added when additional operation (whole intake side of one cylinder head) is done in association with intake valve replacement.

- ⑥ Indicating work condition or application condition of the service item.
- ⑦ Indicating work contents that are included in the service item.
- ⑧ Indicating a reference No. whose operation and time are the same as FRT4.1 for the intake valve.

(The application range is limited to the service items without an LON setting within a same block.)

**How to refer to the service item by using the sample
(intake valve replacement)**

Open to the page of the block where the intake valve's spare part illustration is shown.



Look for the intake valve illustration, and refer to the service item and FRT that agree with the reference No.

Indication mark for the listing of service items that continues to the following page

Ref. No.	L.O.N.	(Relative ref. Number) Description	F.R.T.
2	1111L1	VALVE, INTAKE	4.1
	.	.	.
	.	.	.

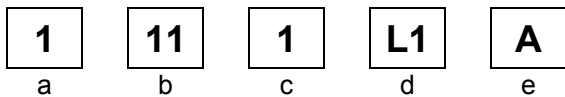
+

Mark indicated at the last line.

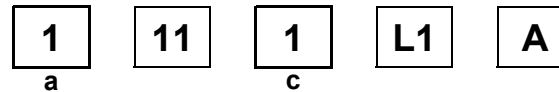
Indication of the block with no setting of FRT

Ref. No.	L.O.N.	(Relative ref. Number) Description	F.R.T.
NO INFORMATION			

• LON code system



- a) Category code..... Engine
- b) Location/function code Engine upper
- c) Operation code..... Replace
- d) Operation sequence number (Unit code can be shown with alphabet)
..... Intake valve
(No regular rule of code)
- e) Additional code One head (intake all)
(No regular rule of code)



a) Category codes and classification

Code	Category
1	Engine
2	Power drive
3	Fuel & Exhaust
4	Frame & Body
5	Steering
6	Electrical
7	Axle & Brake
8	Control system
9	-
0	Attachments

c) Operation codes and classification

Code	Operation category
1	Replace, Removal/Installation, Change
2	Overhaul
3	Adjust, Rotation
4	(Paint-related work: Top-coat)
5	Test, Inspect/diagnose, Measurement
6	(Overhaul-related work: Rebore)
7	(Overhaul-related work: Reseal)
8	(Resurface)
9	(Paint-related work: Refinish)
0	Repair, Cleaning, Air bleeding

Major service items without using spare parts

(1) Removal/Installation, (2) Adjustment,
(3) Inspection/Measurement, (4) Overhaul, (5) Other work

E: Engine, T: Transmission, D: Drive system,
B: Body and related parts

(2) Adjustment

	LON	DESCRIPTION	FRT
E	1113A1	VALVE CLEARANCE-ADJUSTMENT NOTE: For 1 product	0.3
	1163A0	CONTROL, THROTTLE/GOVERNOR-ADJUSTMENT	0.2
	3113A2	CARBURETOR IDLE-ADJUSTMENT	0.2

(3) Inspection, Measurement, Cleaning

	LON	DESCRIPTION	FRT
E	1105A0	ENGINE OIL-INSPECTION	0.1
	3120A0	AIR CLEANER-CLEANING INCLUDES: Air cleaner-inspection	0.1
	3130A0	SPARK ARRESTER-CLEANING	0.2
	6140A0	SPARK PLUG-ADJUSTMENT/CLEANING NOTE: For 1 product	0.2

(4) Overhaul

Work condition: The required Measurements, inspections, adjustments, and cleaning/washing of each part are performed, including the main body removal/installation work and the replacement of defective parts.

	LON	DESCRIPTION	FRT
E	3112A0	CARBURETOR-OVERHAUL INCLUDES: All necessary adjustment	0.6

(5) Other work

	LON	DESCRIPTION	FRT
E	1101E1	ENGINE OIL-CHANGE INCLUDES: Engine oil-inspection	0.1

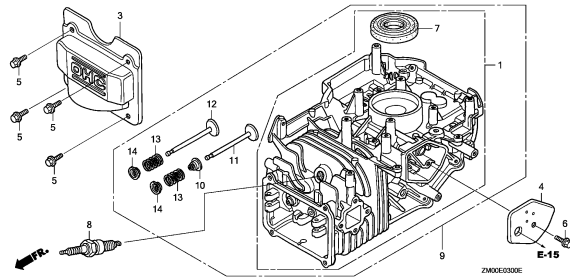
ENGINE GROUP

D 8

E-3

CYLINDER BARREL

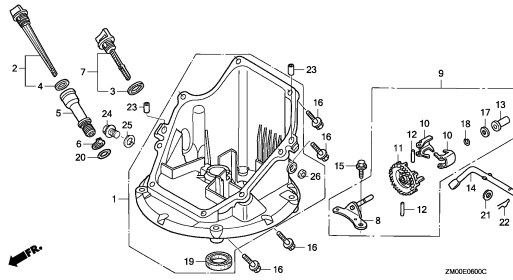
E 1



E-6

OIL PAN

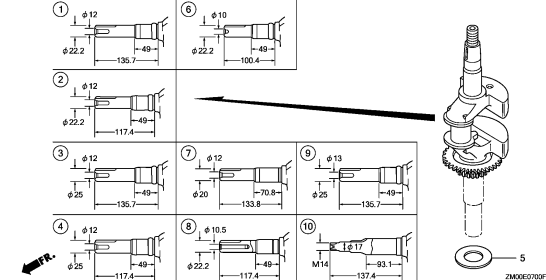
E 4



E-7

CRANKSHAFT

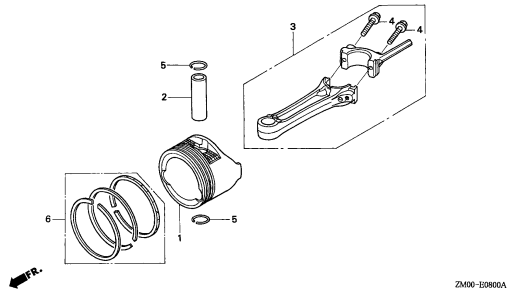
E 9



E-8

PISTON/CONNECTING ROD

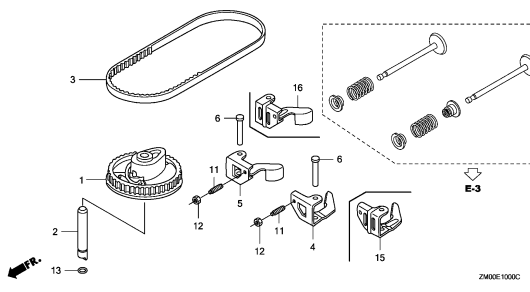
E10



E-10

CAMSHAFT PULLEY

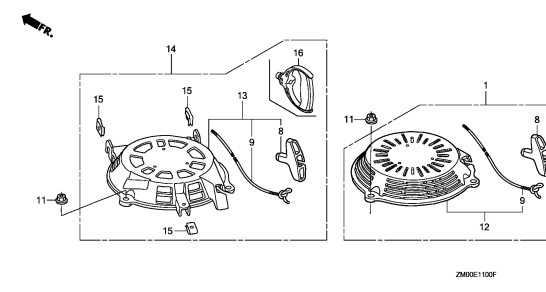
E13



E-11

RECOIL STARTER

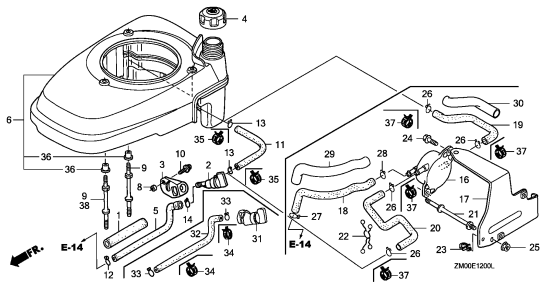
E16



E-12

FAN COVER

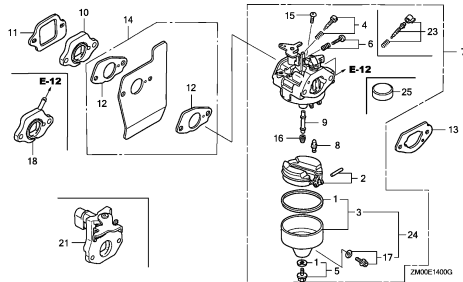
F 4



E-14

CARBURETOR

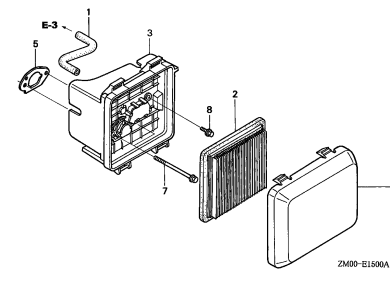
G 2



E-15

AIR CLEANER

G10



2

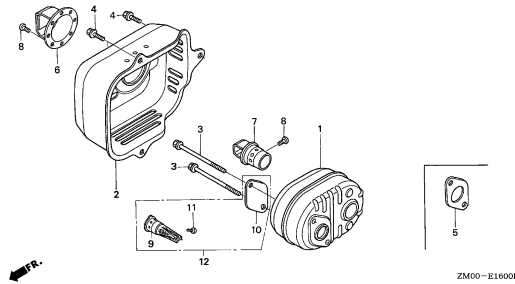
ENGINE GROUP

D 9

E-16

MUFFLER

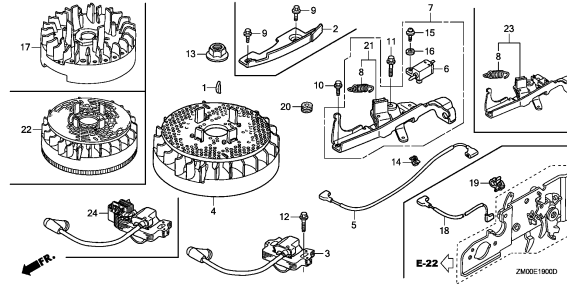
G12



E-19

FLYWHEEL(1)

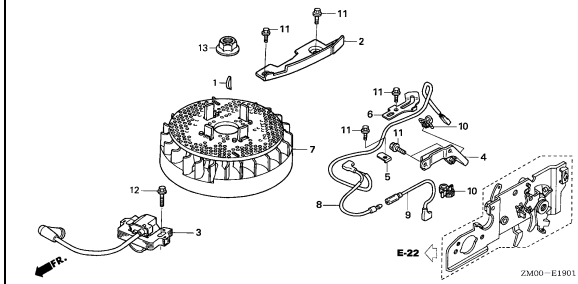
G14



E-19-1

FLYWHEEL(2)

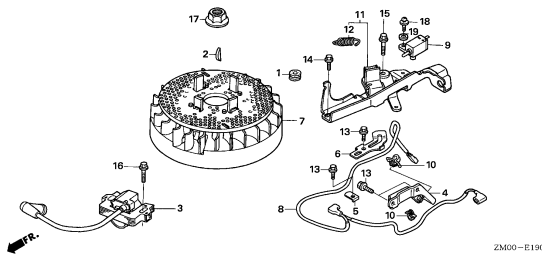
H 4



E-19-2

FLYWHEEL(3)

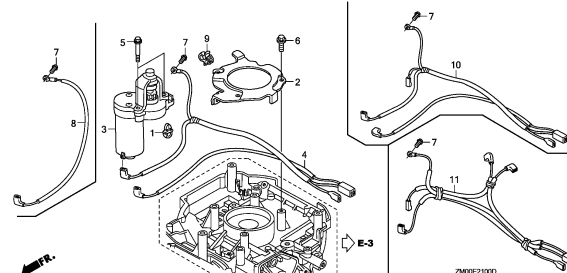
H 5



E-21

STARTER MOTOR

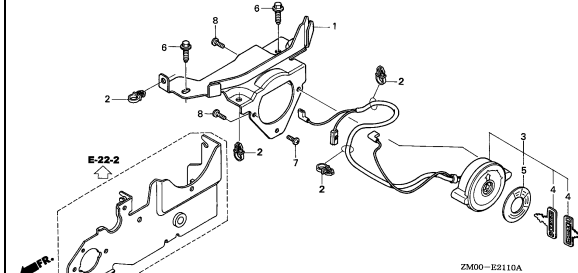
H 6



E-21-10

COMBINATION SWITCH

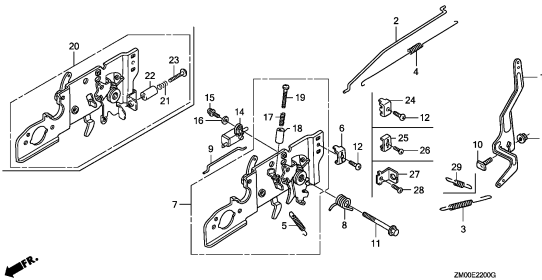
H 7



E-22

CONTROL(1)

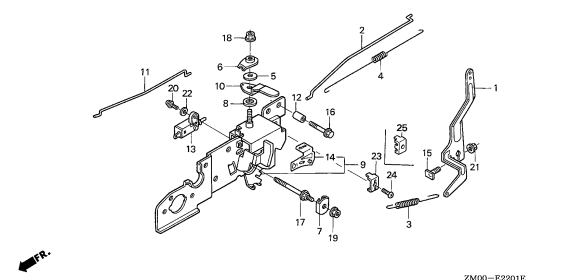
H 8



E-22-1

CONTROL(2)

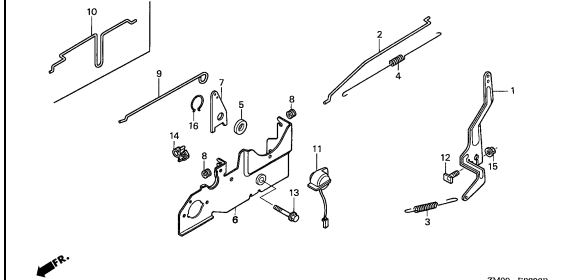
H15



E-22-2

CONTROL(3)

I 2



2

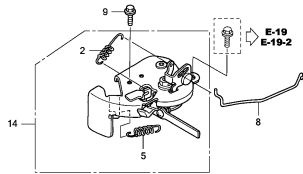
ENGINE GROUP

D10

E-22-3

CHOKE BASE

I 4

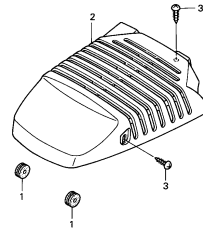


ZM00E2200

E-27

TOP COVER

I 5

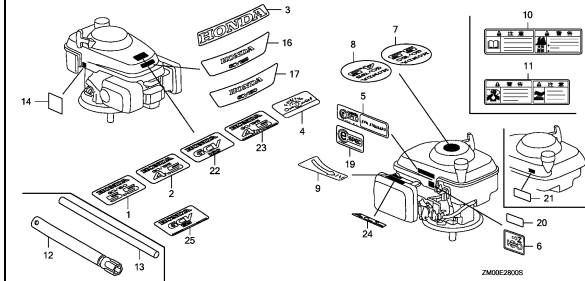


ZM00-E2700

E-28

LABEL/TOOL

I 6

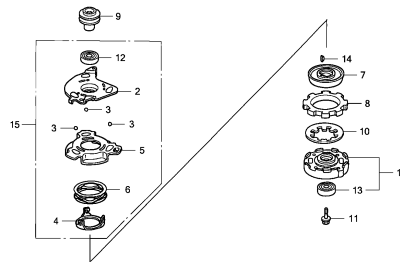


ZM00E2800

E-40

BLADE HOLDER

I 9

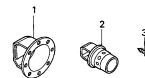


ZM00E4000

E-40-1

MUFFLER CAP

I10

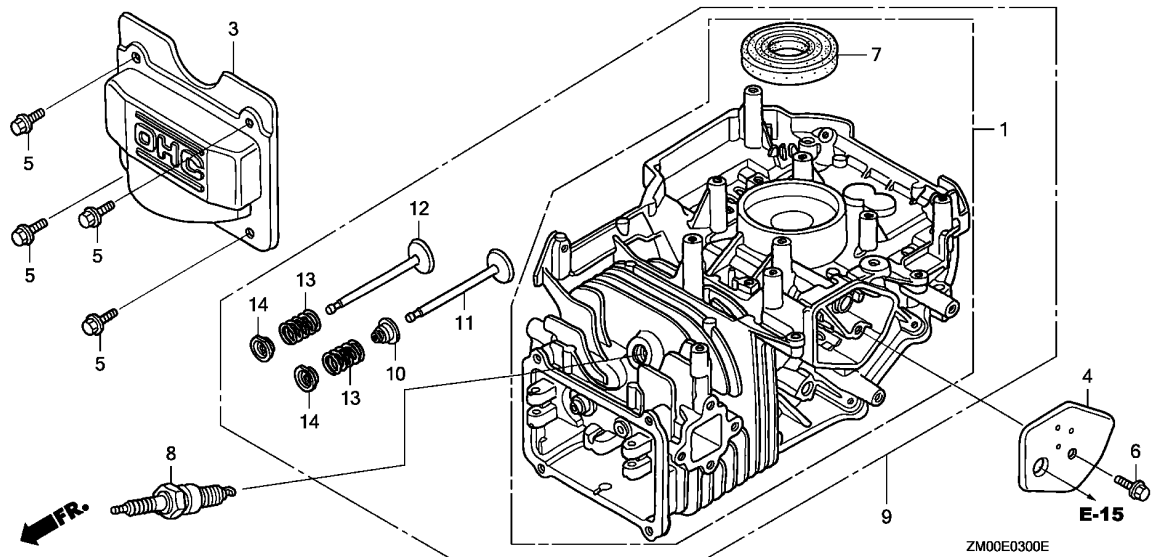


ZM00-E4001

2

E-3

CYLINDER BARREL



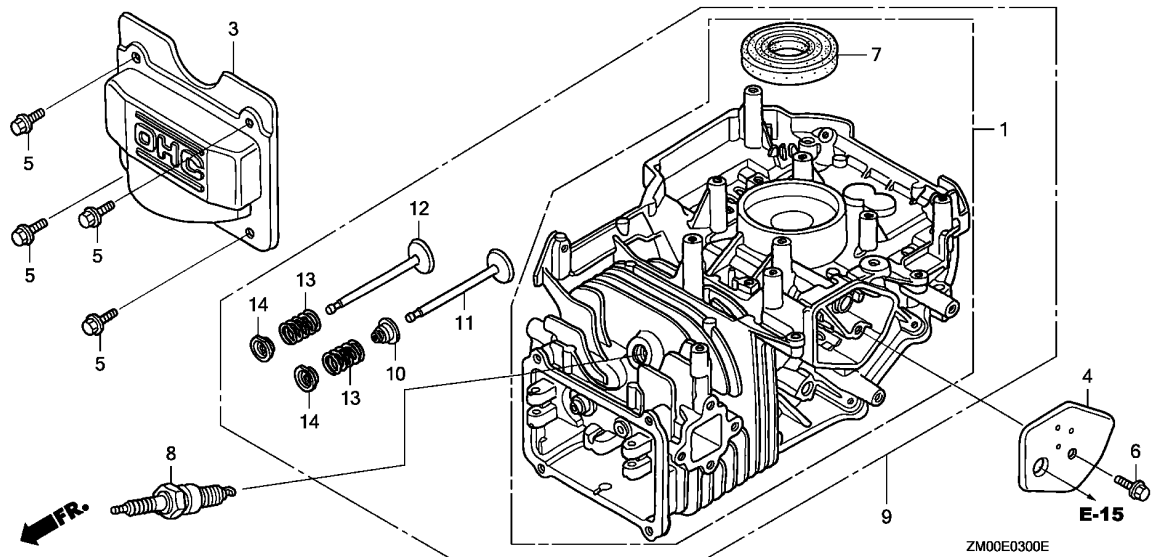
Ref. No.	L.O.N.	(Relative ref. Number) Description	F.R.T.
1	1101A0	BARREL, CYLINDER	1.6
3	1111D5	COVER, CYLINDER HEAD AND/OR PACKING, HEAD COVER	0.2
4	1111D1	COVER, BREATHER AND/OR PACKING, BREATHER COVER	0.2
7	1101E6	OIL SEAL, CRANKSHAFT :UPPER ..	1.3
8	6141C1	PLUG, SPARK	0.1
.INCLUDES: All spark plug check			
9	1101A1	BARREL ASSEMBLY, CYLINDER	1.2
10	1111K2	SEAL, INTAKE VALVE STEM	1.2
.INCLUDES: Valve clearance adjustment			
11	1111L1	VALVE, INTAKE	1.3
.INCLUDES: Valve clearance adjustment and reface			
1111L1E	.Replace intake and exhaust all add		0.2
12	1111L0	VALVE, EXHAUST	1.3
.INCLUDES: Valve clearance adjustment and reface			
1111L0E	.Replace intake and exhaust all add		0.2
+13	1111P3	SPRING, VALVE :INTAKE	1.2

Ref. No.	Part No.	Description	Reqd. QTY						Serial No.	Parts catalogue code
			GCV 135	GCV 135 E	GCV 160	GCV 160 A	GCV 135 A	GCV 160 E		
1	12000-ZL9-000	BARREL ASSY., CYLINDER	1	-	-	-	-	-	1115956	A1A,A1C,A1D,A1E,A1E1,A1J,A1U,A2A,A2C,A2D,A2E,A2E1,A2G,A2U,A3E,A4E,N1D,N1E,N1E1,N1G,N1U,N2D,N2E,N2E1,N2E2,N2E3,N2U
	12000-ZL9-405	1	1	-	-	-	-	-----	A2E4,N1S,N1W,N1W1
		1	-	-	-	-	-	1115957	A2R
		1	-	-	-	-	-	-----	A1A,A1C,A1D,A1E,A1E1,A1J,A1U,A2A,A2C,A2D,A2E,A2E1,A2G,A2U,A3E,A4E,N1D,N1E,N1E1,N1G,N1U,N2D,N2E,N2E1,N2E2,N2E3,N2U
	12000-ZL9-415	1	-	-	-	-	-	-----	A1E,A2E,A2G,N1E,N1G,N2E,N2E1,N2E3
		-	-	-	-	-	-	-----	A1E7,A1E8,A2E7,A2E8,A2E9,A2G7,A7E1,N1S7,N1W7,N1W8,N2E7,N2E8,N2E9,N7E1,N7E2
	12000-ZL8-000	-	-	1	-	-	-	1286131	A1A,A1C,A1E,A1J,A1P,A1U,A2A,A2C,A2E,A2U,A3E,A4E,N1,N1D,N1E1,N1E2,N1U,N2,N2D,N2E,N2E1,N2E2,N2E3,N2U
	12000-ZL8-405	-	-	1	1	-	-	-----	A1W2,A2E4,A2R,N1A,N1W,N1W1,N1W2,N5A
		-	-	1	-	-	-	-----	N3V
		-	-	1	-	-	-	1286132	A1A,A1C,A1E,A1J,A1P,A1U,A2A,A2C,A2E,A2U,A3E,A4E,N1,N1D,N1E1,N1E2,N1U,N2,N2D,N2E,N2E1,N2E2,N2E3,N2U
	12000-ZL8-415	-	-	1	-	-	-	-----	A1A,A2A
		-	-	1	-	-	-	-----	A1E7,A1E8,A1G7,A1W7,A2E7,A2E8,A2E9,A2G7,A7E1,N1E7,N1J1,N1R,N1W7,N1W8,N1W9,N2E7,N2E8,N2E9,N3U,N7A1
	12000-Z0L-405	-	-	-	1	-	-	-----	C1E,C1E1,C2E,C2E1,C3E,C3E1,C4E,C4E1,EHHB,E1A2,E1A4,E1G7,E2G7,E5A4,RTL1,R1A,R3A,R3A1
	12000-Z0L-406	-	-	-	1	-	1	-----	S1M,S2E2,S2E3,S2G7,S3A2,S3E9,S3G9,S3H,S4E4,S4E9,S4G4,S4G9
	12000-Z0M-405	-	1	-	-	-	-	-----	S2E2,S2E3,S3E9,S3G9,S4E4,S4E9,S4G4,S4G9
3	12311-ZL8-000	COVER, HEAD	1	1	1	1	1	1		
4	12355-ZL8-000	COVER COMP., BREATHER	1	1	1	1	1	1		
5	90013-883-000	BOLT, FLANGE, 6X12(CT200) ...	4	4	4	4	4	4		



E-3

CYLINDER BARREL



Ref. No.	L.O.N.	(Relative ref. Number) Description	F.R.T.
+13		.INCLUDES: Valve clearance adjustment	
1111P3A		.Replace intake and exhaust all add	0.1
1111P4		SPRING, VALVE :EXHAUSTINCLUDES: Valve clearance adjustment	1.2
1111P4A		.Replace intake and exhaust all add	0.1



Ref. No.	Part No.	Description	Reqd. QTY						Serial No.	Parts catalogue code
			GCV 135	GCV 135 E	GCV 160	GCV 160 A	GCV 135 A	GCV 160 E		
6	90014-952-000	BOLT, FLANGE, 6X14(CT200) ...	1	1	1	1	1	1		
7	91201-ZL8-003	OIL SEAL, 25.4X62X6	1	1	1	1	1	1		
8	98079-56846	PLUG, SPARK (BPR6ES)(NGK) ...	1	-	1	-	1	1		
			-	1	-	1	-	-	-----	A1A,A1AE,A1AF,A1AS,A1C,A1E,A1E7,A1E8,A1G9,A1M,A1W7,A2A,A2C,A2E,A2E7,A2E8,A2E9,A2G,A2G4,A2G7,A2G9,A2R,A3A,A3E,A3G9,A4G4,A4G7,A4G9,A7E1,BHH,BHH1,C1E,C1E1,C2E,C2E1,EHNB,E1A2,E1A4,E1G7,E2G7,E5A4,NBL1,N1A,N1AF,N1C,N1E,N1E1,N1E7,N1G,N1L,N1R,N1S,N1S7,N1U,N1W,N1W7,N1W8,N1W9,N2E,N2E1,N2E3,N2E7,N2E8,N2E9,N2KA,N2KE,N2U,N3U,N3V,N5A,N5AF,N5C,N5MF,N5R,N7A1,N7E1,N7E2,N7S1,RTL1,R1A,R3A,R3A1,STA1,STL1,S1A,S1A1,S1M,S2E,S2E1,S2G7,S3A,S3A2,S3H,S3H2
	98079-54846	PLUG, SPARK (BPR4ES)(NGK) ...	-	1	-	-	-	-	-----	S2E2,S2E3,S3E9,S3G9,S4E4,S4E9,S4G4,S4G9
	98079-55846	PLUG, SPARK (BPR5ES)(NGK) ...	-	-	-	1	-	-	-----	C3E,C3E1,C4E,C4E1
9	12000-ZL8-425	BARREL ASSY., CYLINDER	-	-	-	1	-	1	-----	A1AE,A1AF,A1AS,A1C,A1E,A1E7,A1E8,A1G7,A1G9,A1M,A1P,A1W7,A2A9,A2C,A2E7,A2E8,A2E9,A2G4,A2G7,A2G9,A3A,A3E,A3E7,A3E9,A3G9,A3T9,A3W7,A3W8,A4G4,A4G7,A4G9,A7E1,BHH,BHH1,NBL1,N1AF,N1C,N1D,N1E1,N1E2,N1E7,N1J1,N1L,N1R,N1T8,N1T9,N1U,N1W7,N1W8,N1W9,N2E7,N2E8,N2E9,N2U,N3T8,N3T9,N3U,N3V,N3W8,N3W9,N5AF,N5C,N5MF,N5R,N7A1,N7S1,STA1,STL1,S1A,S1A1,S1E1,S2E,S2E1,S3A,S3H2
	12000-ZL9-425	-	-	-	-	-	1	-----	A2R
			-	1	-	-	-	-	-----	A1E7,A1E8,A1G9,A2E7,A2E8,A2E9,A2G4,A2G7,A2G9,A2R,A3G9,A4G4,A4G7,A4G9,A7E1,N1S7,N1U,N1W7,N1W8,N2E7,N2E8,N2E9,N2KA,N2KE,N7E1,N7E2,S2E,S2E1

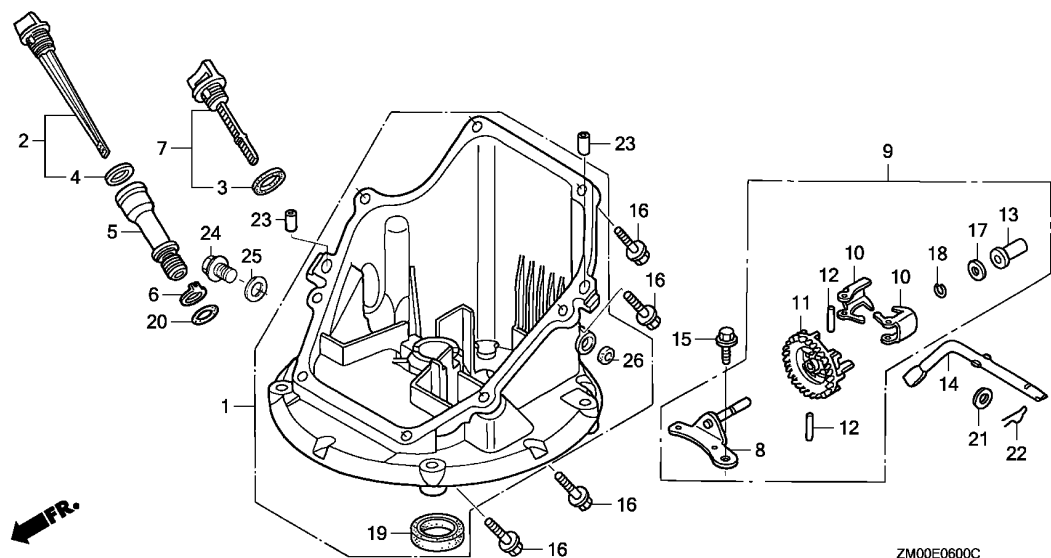
Ref. No.	Part No.	Description	Reqd. QTY						Serial No.	Parts catalogue code	
			GCV 135	GCV 135 E	GCV 160	GCV 160 A	GCV 135 A	GCV 160 E			
10	12209-ZM0-003	SEAL, VALVE STEM	1	1	1	-	-	-	-----	A1E7,A1E8,A1G7,A1G9,A1W7,A2E4,A2E7,A2E8,A2E9,A2G4,A2G7,A2G9,A3G9,A4G4,A4G7,A4G9,A7E1,N1E7,N1J1,N1R,N1S7,N1W7,N1W8,N1W9,N2E7,N2E8,N2E9,N2KA,N2KE,N3U,N7A1,N7E1,N7E2,S2E,S2E1,S2E2,S2E3,S3E9,S3G9,S4E4,S4E9,S4G4,S4G9	
			1	-	-	-	-	-	1623460	-----	A1A,A1C,A1E,A2A,A2C,A2E,A2G,A2R,N1D,N1E1,N1G,N1S,N1U,N1W,N1W1,N2E,N2E1,N2U
			-	1	-	-	-	-	-----	-----	A1E,A2E,A2R,N1E,N1S,N1U,N1W,N2E,N2E1,N2E3
			-	-	1	-	-	-	2296433	-----	A1A,A1C,A1E,A1P,A1W2,A2A,A2C,A2E,A2R,A3E,N1,N1D,N1E1,N1E2,N1U,N1W,N1W1,N1W2,N2,N2E,N2E1,N2E3,N2U,N3V
			-	-	-	1	1	1			
11	14711-ZL8-000	VALVE, IN. (TECHNOSTAR)	1	-	1	-	1	-	-----	-----	A2G,A3E9,A3G9,A3T9,A3W7,A3W8,A4G4,A4G7,A4G9,C3E,C3E1,C4E,C4E1,N1G,N2KE,N3T8,N3T9,N3W8,N3W9,S2E2,S2E3,S3E9,S3G9,S4E4,S4E9,S4G4,S4G9
	14711-ZOJ-000	VALVE, IN. (ROCKNEL)	-	1	-	-	-	1	-----	-----	A1E,A1E7,A1E8,A1G7,A1G9,A1P,A1W7,A2A9,A2E,A2E7,A2E8,A2E9,A2G4,A2G7,A2G9,A2R,A3E7,A7E1,N1D,N1E,N1E1,N1E2,N1E7,N1J1,N1R,N1S,N1S7,N1T8,N1T9,N1U,N1W,N1W7,N1W8,N1W9,N2E,N2E1,N2E3,N2E7,N2E8,N2E9,N2KA,N7A1,N7E1,N7E2,S1E1,S2E,S2E1
12	14721-ZL8-000	VALVE, EX.	1	1	1	1	1	1			
13	14751-ZL8-000	SPRING, VALVE	2	2	2	2	2	2			
14	14771-ZE1-000	RETAINER, IN. VALVE SPRING ..	2	2	2	-	2	2	-----	-----	A1A,A1AE,A1AF,A1AS,A1C,A1E7,A1E8,A1W7,A2A,A2C,A2E7,A2E8,A2E9,A2G7,A2R,A3A,A7E1,BHH,N1A,N1AF,N1C,N1E7,N1U,N1W7,N1W8,N1W9,N2E7,N2E8,N2E9,N2U,N3V,N5A,N5AF,N5C,N7A1,S1A,S1A1,S3A
	14771-ZOJ-000	RETAINER, VALVE SPRING	-	-	-	2	-	-	-----	-----	A1E,A1M,A3E,BHH1,C1E,C1E1,C2E,C2E1,C3E,C3E1,C4E,C4E1,EHHB,E1A2,E1A4,E1G7,E2G7,E5A4,NBL1,N1E1,N1L,N1R,N3U,N5MF,N5R,N7S1,RTL1,R1A,R3A,R3A1,STA1,STL1,S1M,S2G7,S3A2,S3H,S3H2



E-6

OIL PAN

E 4



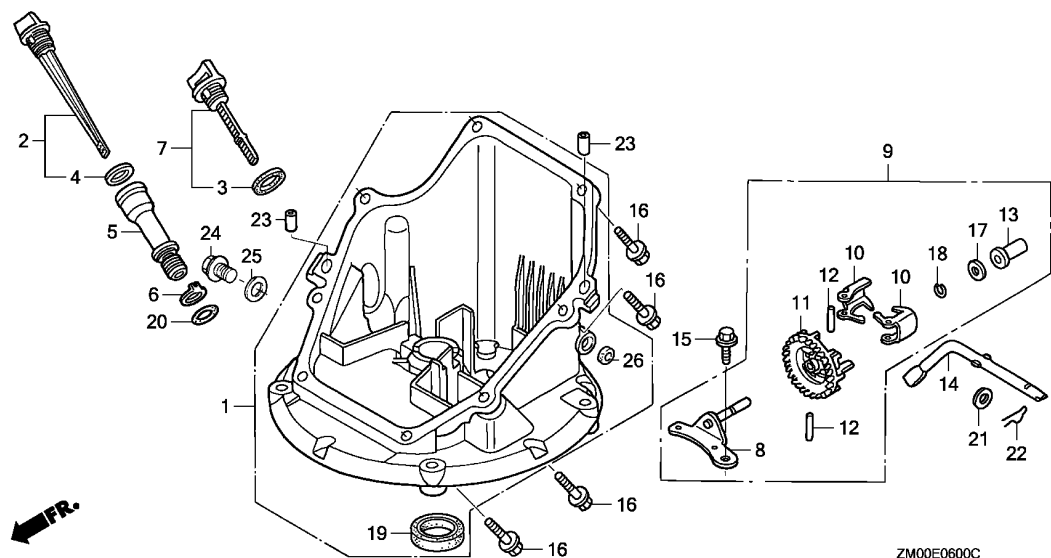
Ref. No.	L.O.N.	(Relative ref. Number) Description	F.R.T.
1	1131C1	PAN, OIL	0.6
5		(6,20)	
	1101B9	EXTENSION, OIL FILLER AND/OR PACKING, OIL FILLER EXTENSION	0.1
9	1161C4	GOVERNOR ASSEMBLY	0.5
11		(10,12)	
	1161A7	HOLDER, GOVERNOR WEIGHT	0.5
13		(17,18)	
	1161B6	SLIDER, GOVERNOR	0.5
14	1161B4	SHAFT, GOVERNOR ARM	0.4
19	1101E7	OIL SEAL, CRANKSHAFT :LOWER ..	0.5
25	1101D5	WASHER, DRAIN PLUG	0.1
26	1101C4	OIL SEAL, GOVERNOR ARM SHAFT ..	0.5

2

Ref. No.	Part No.	Description	Reqd. QTY						Serial No.	Parts catalogue code
			GCV 135	GCV 135 E	GCV 160	GCV 160 A	GCV 135 A	GCV 160 E		
1	11300-ZM0-405	PAN ASSY., OIL	1	-	-	-	-	-	1094954 N2U	
			1	-	-	-	-	-	1243927 A1A,A2A	
			-	1	-	1	-	-	S2E2,S2E3,S2G7,S3E9,S3G9,S4E4,S4E9,S4G4,S4G9	
			-	-	1	-	-	-	1212768 N2U	
	11300-ZM0-810	1	-	1	-	-	-	1565747 A1A,A2A	
			1	-	-	-	-	-	A1E1,A2E1,A4E,N1E,N2E2	
			1	-	-	-	-	-	A3E,N2E3	
			1	-	-	-	-	-	1622339 A1E,A2C,A2E,A2E4,N1E1,N1S,N1W,N2E,N2E1	
			1	-	-	-	-	1243928	1622339 A1A,A2A	
			-	-	1	-	-	-	2272086 A1C,A1E,A2E,A2E4,A3E,N1E1,N1E2,N1W,N2E,N2E1,N2E3	
			-	-	1	-	-	1565748	2272086 A1A,A2A	
	11300-ZM0-V30	-	-	1	-	-	-	2333245 A2R	
	11300-ZM0-406	1	1	1	1	1	1	A1P,A1U,A2G,N1J1,N1R,N1U,N3U,N3V	
			1	-	-	-	-	-	1094955 1623804 N2U	
			-	-	1	-	-	-	1212769 2427111 N2U	
			-	-	-	1	-	-	N2U	

Ref. No.	Part No.	Description	Reqd. QTY						Serial No.	Parts catalogue code
			GCV 135	GCV 135 E	GCV 160	GCV 160 A	GCV 135 A	GCV 160 E		
(1)	11300-ZM0-405	PAN ASSY., OIL	1	1	1	1	-	1	-----	A1E7,A1E8,A1G7,A1J,A2E7,A2E8,A2E9,A2G7,A2U,N1,N1D,N1E7,N1W7,N2,N2D,N2E7,N2E8,N2E9
			1	1	-	1	-	-	-----	A1AE,A1AF,A1AS,A1C,A1D,A2D,N1S7
			1	-	-	-	-	-	1622340	A1A,A1E,A2A,A2C,A2E,A2E4,N1E1,N1S,N1W,N2E,N2E1
			1	-	-	-	-	-	1623805	N2U
			-	1	-	1	-	1	-----	A1A,A1E,A1G9,A1M,A2A,A2A9,A2E,A2G4,A2G9,A3A,A3E,A3E7,A3E9,BHH,BHH1,C1E,C1E1,C2E,C2E1,EHHB,E1A2,E1G7,E2G7,NBL1,N1E,N1E1,N1E2,N1S,N1W,N2E,N2E1,N2E3,N2KA,N2KE,RTL1,R1A,R3A,R3A1,STA1,STL1,S1A,S1A1,S1E1,S1M,S2E,S2E1,S3A,S3A2,S3H,S3H2
			-	-	1	1	-	1	-----	A2C,S2E3
			-	-	1	-	-	-	2272087	A1A,A1C,A1E,A2A,A2E,A2E4,A3E,N1E1,N1E2,N1W,N2E,N2E1,N2E3
	11300-ZM0-407	-	-	1	-	-	-	2427112	N2U
			1	1	-	1	-	1	-----	A2R,N5R
			-	-	1	-	-	-	2333246	A2R
	11300-ZM0-408	1	1	1	1	-	1	-----	A1W2,A1W7,A3T9,A3W7,A3W8,N1T8,N1T9,N1W1,N1W2,N1W8,N1W9,N3T8,N3T9,N3W8,N3W9
	11300-ZM0-409	1	1	-	-	-	-	-----	N1G
	11300-ZOL-405	-	-	-	1	-	-	-----	N1A,N1AF,N1C,N1L,N5A,N5AF,N5C,N5MF
			-	-	-	-	1	-	-----	
	11300-ZOM-405	1	1	1	1	-	1	-----	A7E1,N7A1,N7E1,N7E2,N7S1
	11300-ZOL-821	PAN ASSY., OIL (SAE)	-	-	-	1	-	-	-----	E1A4,E5A4
2	15650-ZM0-801	GAUGE ASSY., OIL LEVEL	1	-	1	1	-	-	-----	A1AE,A1E,A1E1,A1E7,A1E8,A1G7,A1P,A1U,A1W2,A1W7,A2E,A2E1,A2E4,A2E7,A2E8,A2E9,A2G,A2G7,A2U,A3E,A4E,A7E1,BHH,BHH1,NBL1,N1E,N1E1,N1E2,N1E7,N1G,N1R,N1S,N1S7,N1U,N1W,N1W1,N1W2,N1W7,N1W8,N1W9,N2E,N2E1,N2E2,N2E3,N2E7,N2E8,N2E9,N2U,N3U,N3V,N7A1,N7E1,N7E2,N7S1,STA1,STL1,S1M,S2G7,S3A,S3H,S3H2
			-	-	-	1	-	-	-----	C1E,C1E1,C2E,C2E1,C3E,C3E1,C4E,C4E1,EHHB,E1A2,E1A4,E1G7,E2G7,E5A4,RTL1,R1A,R3A,R3A1
	15650-ZOL-820	-	-	-	1	-	-	-----	A1E,A1E7,A1E8,A1G7,A1G9,A1P,A1W7,A2A9,A2E,A2E7,A2E8,A2E9,A2G,A2G4,A2G7,A2G9,A3E7,A3E9,A3G9,A3T9,A3W7,A3W8,A4G4,A4G7,A4G9,A7E1,N1E,N1E1,N1E2,N1E7,N1G,N1R,N1S,N1S7,N1T8,N1T9,N1U,N1W,N1W7,N1W8,N1W9,N2E,N2E1,N2E3,N2E7,N2E8,N2E9,N2KA,N2KE,N3T8,N3T9,N3W8,N3W9,N7A1,N7E1,N7E2,S1E1,S2E,S2E1,S2E2,S2E3,S3E9,S3G9,S4E4,S4E9,S4G4,S4G9
	15650-ZOM-800	-	1	-	-	-	1	-----	A1A,A1C,A1D,A2A,A2C,A2D,A2R,N1,N1D,N1J1,N2,N2D,A1J,A1M,N1L
			-	-	-	1	-	-	3724306	A1A,A1AF,A1AS,A1C,A2A,A2C,A2R,A3A,N1A,N1AF,N1C,N5A,N5AF,N5C,S1A,S1A1,S3A2
			-	-	-	-	1	-	-----	N5MF,N5R
	15625-Z2L-801	-	-	-	1	-	-	3724307	A1A,A1AF,A1AS,A1C,A2A,A2C,A2R,A3A,N1A,N1AF,N1C,N5A,N5AF,N5C,S1A,S1A1,S3A2
			-	-	-	1	-	-	-----	A1AE,A1E,A1E1,A1E7,A1E8,A1G7,A1G9,A1P,A1U,A1W2,A1W7,A2A9,A2E,A2E1,A2E4,A2E7,A2E8,A2E9,A2G,A2G4,A2G7,A2G9,A2U,A3E,A3E7,A3E9,A3G9,A3T9,A3W7,A3W8,A4E,A4G4,A4G7,A4G9,A7E1,BHH,BHH1,C1E,C1E1,C2E,C2E1,C3E,C3E1,C4E,C4E1,EHHB,E1A2,E1A4,E1G7,E2G7,E5A4,NBL1,N1E,N1E1,N1E2,N1E7,N1G,N1R,N1S,N1S7,N1T8,N1T9,N1U,N1W,N1W1,N1W2,N1W7,N1W8,N1W9,N2E,N2E1,N2E2,N2E3,N2E7,N2E8,N2E9,N2KA,N2KE,N2U,N3T8,N3T9,N3U,N3V,N3W8,N3W9,N7A1,N7E1,N7E2,N7S1,RTL1,R1A,R3A,R3A1,STA1,STL1,S1E1,S1M,S2E,S2E1,S2E2,S2E3,S2G7,S3A,S3E9,S3G9,S3H,S3H2,S4E4,S4E9,S4G4,S4G9
3	15625-ZE1-003	PACKING, OIL FILLER CAP	1	1	1	-	-	1	-----	A1A,A1C,A1D,A2A,A2C,A2D,A2R,N1,N1D,N1J1,N2,N2D
			1	-	1	1	-	-	-----	A1J,A1M,N1L
			-	-	-	1	-	-	3724306	A1A,A1AF,A1AS,A1C,A2A,A2C,A2R,A3A,N1A,N1AF,N1C,N5A,N5AF,N5C,S1A,S1A1,S3A2
			-	-	-	-	1	-	-----	N5MF,N5R
	15625-Z2L-801	-	-	-	1	-	-	3724307	A1A,A1AF,A1AS,A1C,A2A,A2C,A2R,A3A,N1A,N1AF,N1C,N5A,N5AF,N5C,S1A,S1A1,S3A2
			-	-	-	1	-	-	-----	A1AE,A1E,A1E1,A1E7,A1E8,A1G7,A1G9,A1P,A1U,A1W2,A1W7,A2A9,A2E,A2E1,A2E4,A2E7,A2E8,A2E9,A2G,A2G4,A2G7,A2G9,A2U,A3E,A3E7,A3E9,A3G9,A3T9,A3W7,A3W8,A4E,A4G4,A4G7,A4G9,A7E1,BHH,BHH1,C1E,C1E1,C2E,C2E1,C3E,C3E1,C4E,C4E1,EHHB,E1A2,E1A4,E1G7,E2G7,E5A4,NBL1,N1E,N1E1,N1E2,N1E7,N1G,N1R,N1S,N1S7,N1T8,N1T9,N1U,N1W,N1W1,N1W2,N1W7,N1W8,N1W9,N2E,N2E1,N2E2,N2E3,N2E7,N2E8,N2E9,N2KA,N2KE,N2U,N3T8,N3T9,N3U,N3V,N3W8,N3W9,N7A1,N7E1,N7E2,N7S1,RTL1,R1A,R3A,R3A1,STA1,STL1,S1E1,S1M,S2E,S2E1,S2E2,S2E3,S2G7,S3A,S3E9,S3G9,S3H,S3H2,S4E4,S4E9,S4G4,S4G9
4	15625-ZE6-000	PACKING, OIL FILLER CAP	1	1	1	1	-	1	-----	A1AE,A1E,A1E1,A1E7,A1E8,A1G7,A1G9,A1P,A1U,A1W2,A1W7,A2A9,A2E,A2E1,A2E4,A2E7,A2E8,A2E9,A2G,A2G4,A2G7,A2G9,A2U,A3E,A3E7,A3E9,A3G9,A3T9,A3W7,A3W8,A4E,A4G4,A4G7,A4G9,A7E1,BHH,BHH1,C1E,C1E1,C2E,C2E1,C3E,C3E1,C4E,C4E1,EHHB,E1A2,E1A4,E1G7,E2G7,E5A4,NBL1,N1E,N1E1,N1E2,N1E7,N1G,N1R,N1S,N1S7,N1T8,N1T9,N1U,N1W,N1W1,N1W2,N1W7,N1W8,N1W9,N2E,N2E1,N2E2,N2E3,N2E7,N2E8,N2E9,N2KA,N2KE,N2U,N3T8,N3T9,N3U,N3V,N3W8,N3W9,N7A1,N7E1,N7E2,N7S1,RTL1,R1A,R3A,R3A1,STA1,STL1,S1E1,S1M,S2E,S2E1,S2E2,S2E3,S2G7,S3A,S3E9,S3G9,S3H,S3H2,S4E4,S4E9,S4G4,S4G9



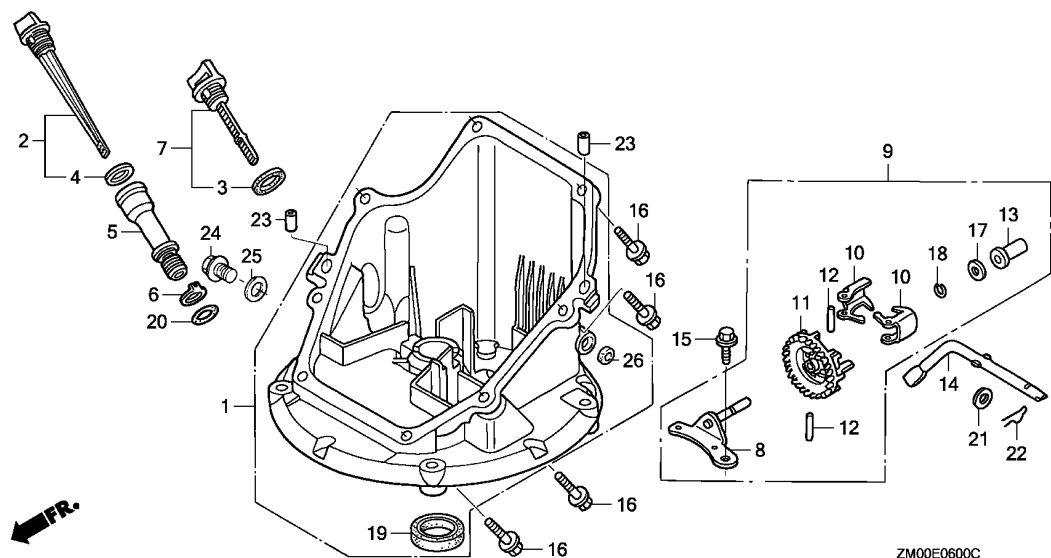


ZM00E0600C

Ref. No.	Part No.	Description	Reqd. QTY						Serial No.	Parts catalogue code
			GCV 135	GCV 135 E	GCV 160	GCV 160 A	GCV 135 A	GCV 160 E		
5	15631-ZM0-000	EXTENSION, OIL FILLER	1	1	1	1	-	1	-----	A1AE,A1E,A1E1,A1E7,A1E8,A1G7,A1G9,A1P,A1U,A1W2,A1W7,A2A9,A2E,A2E1,A2E4,A2E7,A2E8,A2E9,A2G,A2G4,A2G7,A2G9,A2U,A3E,A3E7,A3E9,A3G9,A3T9,A3W7,A3W8,A4E,A4G4,A4G7,A4G9,A7E1,BHH,BHH1,NBL1,N1E,N1E1,N1E2,N1E7,N1G,N1R,N1S,N1S7,N1T8,N1T9,N1U,N1W,N1W1,N1W2,N1W7,N1W8,N1W9,N2E,N2E1,N2E2,N2E3,N2E7,N2E8,N2E9,N2KA,N2KE,N2U,N3T8,N3T9,N3U,N3V,N3W8,N3W9,N7A1,N7E1,N7E2,N7S1,STA1,STL1,S1E1,S1M,S2E,S2E1,S2E2,S2E3,S2G7,S3A,S3E9,S3G9,S3H,S3H2,S4E4,S4E9,S4G4,S4G9
	15631-ZOL-820	-	-	-	1	-	-	-----	C1E,C1E1,C2E,C2E1,C3E,C3E1,C4E,C4E1,EHHB,E1A2,E1A4,E1G7,E2G7,E5A4,RTL1,R1A,R3A,R3A1
6	15639-ZM0-000	WASHER, EXTENSION LOCK	1	1	1	1	-	1	-----	A1AE,A1E,A1E1,A1E7,A1E8,A1G7,A1G9,A1P,A1U,A1W2,A1W7,A2A9,A2E,A2E1,A2E4,A2E7,A2E8,A2E9,A2G,A2G4,A2G7,A2G9,A2U,A3E,A3E7,A3E9,A3G9,A3T9,A3W7,A3W8,A4E,A4G4,A4G7,A4G9,A7E1,BHH,BHH1,C1E,C1E1,C2E,C2E1,C3E,C3E1,C4E,C4E1,EHHB,E1A2,E1A4,E1G7,E2G7,E5A4,NBL1,N1E,N1E1,N1E2,N1E7,N1G,N1R,N1S,N1S7,N1T8,N1T9,N1U,N1W,N1W1,N1W2,N1W7,N1W8,N1W9,N2E,N2E1,N2E2,N2E3,N2E7,N2E8,N2E9,N2KA,N2KE,N2U,N3T8,N3T9,N3U,N3V,N3W8,N3W9,N7A1,N7E1,N7E2,N7S1,RTL1,R1A,R3A,R3A1,STA1,STL1,S1E1,S1M,S2E,S2E1,S2E2,S2E3,S2G7,S3A,S3E9,S3G9,S3H,S3H2,S4E4,S4E9,S4G4,S4G9
7	15650-ZM0-003	GAUGE ASSY., OIL LEVEL	1	1	1	-	-	1	-----	A1A,A1C,A1D,A2A,A2C,A2D,A2R,N1,N1D,N1J1,N2,N2D
			1	-	1	1	-	-	-----	A1J,A1M,N1L
			-	-	-	1	-	-	-----	3724306
			-	-	-	-	1	-	-----	A1A,A1AF,A1AS,A1C,A2A,A2C,A2R,A3A,N1A,N1AF,N1C,N5A,N5AF,N5C,S1A,S1A1,S3A2

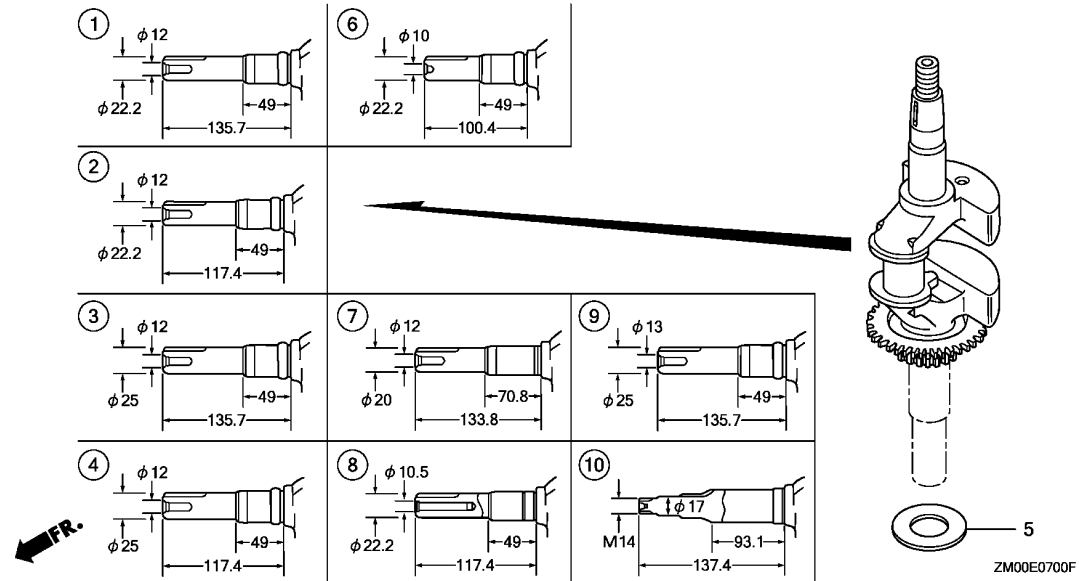
Ref. No.	Part No.	Description	Reqd. QTY						Serial No.	Parts catalogue code		
			GCV 135	GCV 135 E	GCV 160	GCV 160 A	GCV 135 A	GCV 160 E				
(7)	15650-ZOL-000	GAUGE ASSY., OIL LEVEL	-	-	-	1	-	-	-----	N5MF,N5R		
			-	-	-	1	-	-	3724307	-----	A1A,A1AF,A1AS,A1C,A2A,A2C,A2R,A3A,N1A,N1AF,N1C,N5A N5AF,N5C,S1A,S1A1,S3A2	
8	16508-ZM0-000	SHAFT COMP., GOVERNOR HOLDER	1	-	-	-	-	-	-----	1449200	-----	A1A,A1C,A1D,A1E,A1E1,A1J,A1U,A2A,A2C,A2D,A2E,A2E1,A2G A2R,A2U,A3E,A4E,N1D,N1E,N1E1,N1G,N1S,N1U,N1W,N2D,N2E N2E1,N2E2,N2E3,N2U
			-	-	1	-	-	-	-----	1887052	-----	A1A,A1C,A1E,A1J,A1P,A1U,A2A,A2C,A2E,A2R,A2U,A3E,A4E,N1 N1D,N1E1,N1E2,N1U,N1W,N2,N2D,N2E,N2E1,N2E2,N2E3,N2U N3V
	16508-ZM0-010	1	-	1	-	-	-	-----	-----	-----	A1E7,A1E8,A1G7,A1W2,A1W7,A2E4,A2E7,A2E8,A2E9,A2G7,A7E1 N1E7,N1J1,N1R,N1S7,N1W1,N1W2,N1W7,N1W8,N1W9,N2E7,N2E8 N2E9,N3U,N7A1,N7E1,N7E2
			1	-	-	-	-	-	-----	1449201	-----	A1A,A1C,A1D,A1E,A1E1,A1J,A1U,A2A,A2C,A2D,A2E,A2E1,A2G A2R,A2U,A3E,A4E,N1D,N1E,N1E1,N1G,N1S,N1U,N1W,N2D,N2E N2E1,N2E2,N2E3,N2U
			-	1	-	1	1	1	-----	-----	-----	
			-	-	1	-	-	-	-----	1887053	-----	A1A,A1C,A1E,A1J,A1P,A1U,A2A,A2C,A2E,A2R,A2U,A3E,A4E,N1 N1D,N1E1,N1E2,N1U,N1W,N2,N2D,N2E,N2E1,N2E2,N2E3,N2U N3V
9	16510-ZM0-010	GOVERNOR ASSY.	1	1	1	1	1	1				
10	16511-ZL8-000	WEIGHT, GOVERNOR	2	2	2	2	2	2				
11	16512-ZM0-000	HOLDER, GOVERNOR WEIGHT	1	1	1	1	1	1				
12	16513-ZE1-000	PIN, GOVERNOR WEIGHT	2	2	2	2	2	2				
13	16531-ZE1-000	SLIDER, GOVERNOR	1	1	1	1	1	1				
14	16541-ZM0-000	SHAFT, GOVERNOR ARM	1	1	1	1	1	1				
15	90014-952-000	BOLT, FLANGE, 6X14(CT200) ...	1	1	1	1	1	1				
16	90121-952-000	BOLT, FLANGE, 6X25(CT200) ...	8	8	8	8	8	8				
17	90451-ZE1-000	WASHER, THRUST, 6MM	1	1	1	1	1	1				
18	90602-ZE1-000	CLIP, GOVERNOR HOLDER	1	1	1	1	1	1				
19	91202-ZL8-003	OIL SEAL, 28X41.25X6	1	1	1	1	-	1	-----	-----	-----	A1A,A1AE,A1AF,A1AS,A1C,A1D,A1E,A1E1,A1E7,A1E8,A1G7 A1G9,A1J,A1M,A1P,A1U,A1W2,A1W7,A2A,A2A9,A2C,A2D,A2E A2E1,A2E4,A2E7,A2E8,A2E9,A2G,A2G4,A2G7,A2G9,A2U,A3A A3E,A3E7,A3E9,A3G9,A3T9,A3W7,A3W8,A4E,A4G4,A4G7,A4G9 A7E1,BHH,BHH1,C1E,C1E1,C2E,C2E1,C3E,C3E1,C4E,C4E1,EHHB E1A2,E1G7,E2G7,NBL1,N1,N1D,N1E,N1E1,N1E2,N1E7,N1G,N1J1 N1R,N1S,N1S7,N1T8,N1T9,N1U,N1W,N1W1,N1W2,N1W7,N1W8 N1W9,N2,N2D,N2E,N2E1,N2E2,N2E3,N2E7,N2E8,N2E9,N2KA N2KE,N2U,N3T8,N3T9,N3U,N3V,N3W8,N3W9,N7A1,N7E1,N7E2 N7S1,RTL1,R1A,R3A,R3A1,STA1,STL1,S1A,S1A1,S1E1,S1M,S2E S2E1,S2E2,S2E3,S2G7,S3A,S3A2,S3E9,S3G9,S3H,S3H2,S4E4 S4E9,S4G4,S4G9
	91202-ZM0-V31	1	1	1	1	-	1	-----	-----	-----	A2R,E1A4,E5A4,N1A,N1AF,N1C,N1L,N5A,N5AF,N5C,N5MF,N5R
20	91303-KFO-003	O-RING, 14.8X2.4(ARAI)	1	-	1	1	-	-	-----	-----	-----	A1AE,A1E,A1E1,A1E7,A1E8,A1G7,A1P,A1U,A1W2,A1W7,A2E A2E1,A2E4,A2E7,A2E8,A2E9,A2G,A2G7,A2U,A3E,A4E,A7E1,BHH BHH1,C1E,C1E1,C2E,C2E1,C3E,C3E1,C4E,C4E1,EHHB,E1A2 E1A4,E1G7,E2G7,E5A4,NBL1,N1E,N1E1,N1E2,N1E7,N1G,N1R N1S,N1S7,N1U,N1W,N1W1,N1W2,N1W7,N1W8,N1W9,N2E,N2E1 N2E2,N2E3,N2E7,N2E8,N2E9,N2U,N3U,N3V,N7A1,N7E1,N7E2 N7S1,RTL1,R3A,STA1,STL1,S1M,S2G7,S3A,S3H,S3H2





2

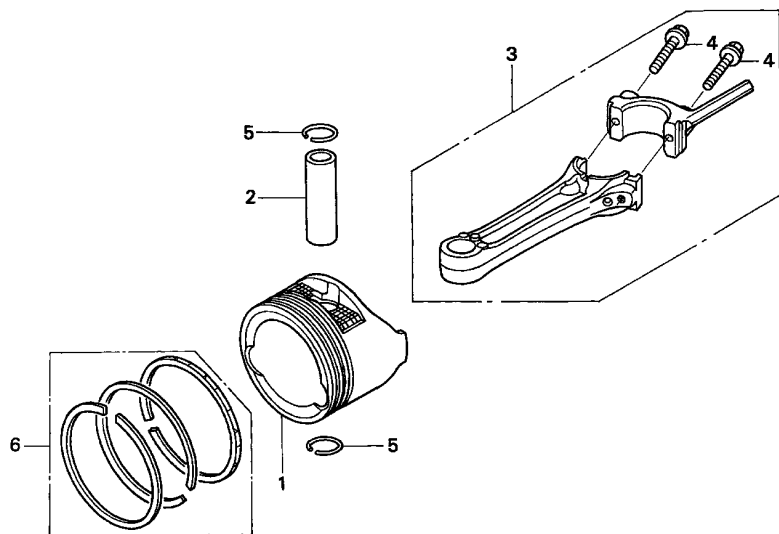
Ref. No.	Part No.	Description	Reqd. QTY						Serial No.	Parts catalogue code
			GCV 135	GCV 135 E	GCV 160	GCV 160 A	GCV 135 A	GCV 160 E		
20)	91303-ZOM-003	O-RING, 14.8X2.4	-	1	-	-	-	1	-----	A1E,A1E7,A1E8,A1G7,A1G9,A1P,A1W7,A2A9,A2E,A2E7,A2E8,A2E9,A2G,A2G4,A2G7,A2G9,A3E7,A3E9,A3G9,A3T9,A3W7,A3W8,A4G4,A4G7,A4G9,A7E1,N1E,N1E1,N1E2,N1E7,N1G,N1R,N1S,N1S7,N1T8,N1T9,N1U,N1W,N1W7,N1W8,N1W9,N2E,N2E1,N2E3,N2E7,N2E8,N2E9,N2KA,N2KE,N3T8,N3T9,N3W8,N3W9,N7A1,N7E1,N7E2,S1E1,S2E,S2E1,S2E2,S2E3,S3E9,S3G9,S4E4,S4E9,S4G4,S4G9
21	94101-06800	WASHER, PLAIN, 6MM	1	1	1	1	1	1		
22	94251-08000	PIN, LOCK, 8MM	1	1	1	1	1	1		
23	94301-08200	DOWEL PIN, 8X20	2	2	2	2	2	2		
24	90131-883-000	BOLT, DRAIN PLUG, 12X15	-	-	-	1	-	-	-----	E1A4,E5A4,N1A,N1AF,N1C,N1L,N5A,N5AF,N5C,N5MF
25	94109-12000	WASHER, DRAIN PLUG, 12MM	-	-	-	1	-	-	-----	E1A4,E5A4,N1A,N1AF,N1C,N1L,N5A,N5AF,N5C,N5MF
26	91231-891-003	OIL SEAL, 6X11X4 (ARAI)	1	1	1	1	-	1	-----	A7E1,N7A1,N7E1,N7E2,N7S1



Ref. No.	L.O.N.	(Relative ref. Number) Description	F.R.T.
1	1101F0	(2,3,4,6,7,8,9,10) CRANKSHAFT	1.0

Ref. No.	Part No.	Description	Reqd. QTY						Serial No.	Parts catalogue code
			GCV 135	GCV 135 E	GCV 160	GCV 160 A	GCV 135 A	GCV 160 E		
1	13310-ZM1-000	CRANKSHAFT COMP.	1	1	-	-	1	-	A1A,A1C,A1D,A1E,A1E1,A1E7,A1E8,A1G9,A1J,A1U,N1A,N1D,N1E,N1E1,N1S,N1S7,N1U,N1W,N1W1,N1W7,N1W8	
	13310-ZM0-000	-	-	1	1	-	1	A1A,A1AE,A1AF,A1AS,A1C,A1E,A1E7,A1E8,A1G7,A1G9,A1J,A1M,A1P,A1U,A1W2,A1W7,C1E,C1E1,E1A2,E1A4,E1G7,N1,N1A,N1AF,N1C,N1D,N1E1,N1E2,N1E7,N1J1,N1L,N1R,N1T8,N1T9,N1U,N1W,N1W1,N1W2,N1W7,N1W8,N1W9,R1A,S1A,S1A1,S1E1,S1M	
2	13310-ZM1-600	CRANKSHAFT COMP.	1	1	-	-	-	-	A2A,A2C,A2D,A2E,A2E1,A2E4,A2E7,A2E8,A2E9,A2G,A2G4,A2G7,A2G9,A2R,A2U,N2D,N2E,N2E1,N2E2,N2E3,N2E7,N2E8,N2E9	
	13310-ZM0-600	-	-	1	1	-	1	N2KA,N2KE,N2U,S2E,S2E1,S2E2,S2E3 A2A,A2A9,A2C,A2E,A2E4,A2E7,A2E8,A2E9,A2G4,A2G7,A2G9	
3	13310-ZM1-610	CRANKSHAFT COMP.	1	1	-	-	-	-	A2R,A2U,C2E,C2E1,E2G7,N2,N2D,N2E,N2E1,N2E2,N2E3,N2E7,N2E8,N2E9,N2U,S2E,S2E1,S2E2,S2E3,S2G7	
	13310-ZM0-610	-	-	1	1	-	1	A3E,A3G9,S3E9,S3G9	
4	13310-ZM1-620	CRANKSHAFT COMP.	1	1	-	-	-	-	A3A,A3E,A3E7,A3E9,A3G9,A3T9,A3W7,A3W8,C3E,C3E1,N3T8	
	13310-ZM0-620	-	-	1	1	-	1	N3T9,N3U,N3V,N3W8,N3W9,R3A,S3A,S3A2,S3E9,S3G9,S3H,S3H2	
5	90402-ZL8-000	WASHER, THRUST	1	1	1	1	1	1	A4E,A4G4,A4G7,A4G9,S4E4,S4E9,S4G4,S4G9	
6	13310-ZOL-650	CRANKSHAFT COMP.	-	-	-	1	-	-	A4E,A4G4,A4G7,A4G9,C4E,C4E1,S4E4,S4E9,S4G4,S4G9	
	13310-Z1M-650	-	-	-	-	1	-	E5A4,N5A,N5AF,N5C,N5MF,N5R	
7	13310-ZM1-640	CRANKSHAFT COMP.	1	1	-	-	-	-	N5A	
	13310-ZM0-640	-	-	-	1	-	-	N1G	
8	13310-ZOM-780	CRANKSHAFT COMP.	1	1	-	-	-	-	BHH,BHH1,EHHB	
	13310-ZOL-780	-	-	1	1	-	1	A7E1,N7E1,N7E2	
9	13310-ZOL-V70	CRANKSHAFT COMP.	-	-	-	1	-	-	A7E1,N7A1,N7S1	
10	13310-ZOL-S20	CRANKSHAFT COMP.	-	-	-	1	-	-	RTL1,R3A1,STA1,STL1	
									NBL1	





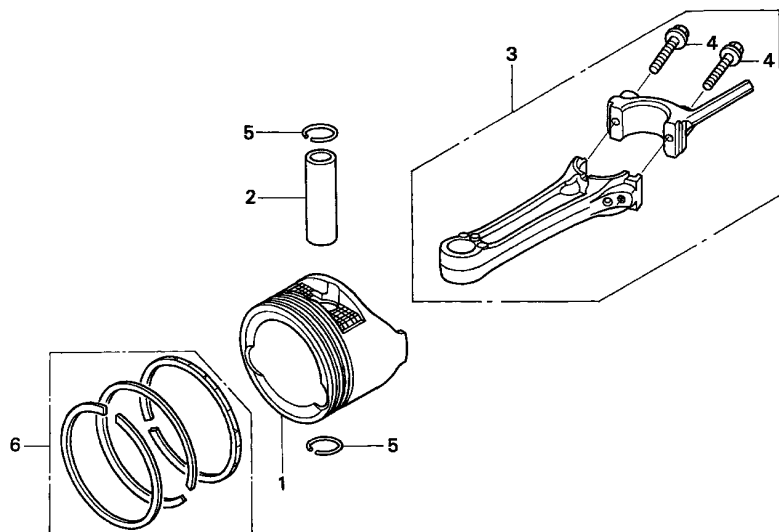
ZM00-E0800A

Ref. No.	L.O.N.	(Relative ref. Number) Description	F.R.T.
1	1111R1	(2,3,6) PISTON AND/OR RING SET AND/OR BEARING AND/OR RODINCLUDES: Inspection/ Measurement/Cleaning	1.1

Ref. No.	Part No.	Description	Reqd. QTY						Serial No.	Parts catalogue code
			GCV 135	GCV 135 E	GCV 160	GCV 160 A	GCV 135 A	GCV 160 E		
1	13101-ZL8-000	PISTON	1	-	1	-	1	-	-----	A1E,A1E7,A1E8,A1G7,A1G9,A1P,A1W7,A2A9,A2E,A2E7,A2E8,A2E9,A2G,A2G4,A2G7,A2G9,A2R,A3E7,A3W7,A3W8,A7E1,N1D,N1E,N1E1,N1E2,N1E7,N1G,N1J1,N1R,N1S,N1S7,N1T8,N1T9,N1U,N1W,N1W7,N1W8,N1W9,N2E,N2E1,N2E3,N2E7,N2E8,N2E9,N2KA,N3T8,N3T9,N3W8,N3W9,N7A1,N7E1,N7E2,S1E1,S2E,S2E1
	13101-Z2A-000	-	-	-	1	-	-	5383514	A1A,A1AE,A1AF,A1AS,A1C,A1E,A1E7,A1E8,A1M,A1W7,A2A,A2C,A2E7,A2E8,A2E9,A2G7,A2R,A3A,A3E,A7E1,BHH,BHH1,NBL1,N1A,N1AF,N1C,N1E1,N1E7,N1L,N1R,N1U,N1W7,N1W8,N1W9,N2E7,N2E8,N2E9,N2U,N3U,N3V,N5A,N5AF,N5C,N5MF,N5R,N7A1,N7S1,RTL1,STA1,STL1,S1A,S1A1,S1M,S2G7,S3A,S3A2,S3H,S3H2
	13101-Z2A-010	-	-	-	1	-	-	8024760 2033972	EHHB,E1A2,E1A4,E1G7,E2G7,E5A4,R1A,R3A,R3A1 A3E9
			-	-	-	1	-	-	5383515	A3G9,A3T9,A4G4,A4G7,A4G9,C1E,C1E1,C2E,C2E1,C3E,C3E1,C4E,C4E1,N2KE,S2E2,S2E3,S3E9,S3G9,S4E4,S4E9,S4G4,S4G9
			-	-	-	1	-	-	8024761 2033973	A1A,A1AE,A1AF,A1AS,A1C,A1E,A1E7,A1E8,A1M,A1W7,A2A,A2C,A2E7,A2E8,A2E9,A2G7,A2R,A3A,A3E,A7E1,BHH,BHH1,NBL1,N1A,N1AF,N1C,N1E1,N1E7,N1L,N1R,N1U,N1W7,N1W8,N1W9,N2E7,N2E8,N2E9,N2U,N3U,N3V,N5A,N5AF,N5C,N5MF,N5R,N7A1,N7S1,RTL1,STA1,STL1,S1A,S1A1,S1M,S2G7,S3A,S3A2,S3H,S3H2
2	13111-ZE0-000	PIN, PISTON	1	1	1	1	1	1		
3	13200-ZL9-000	ROD ASSY., CONNECTING	1	1	-	-	1	-	-----	A1J

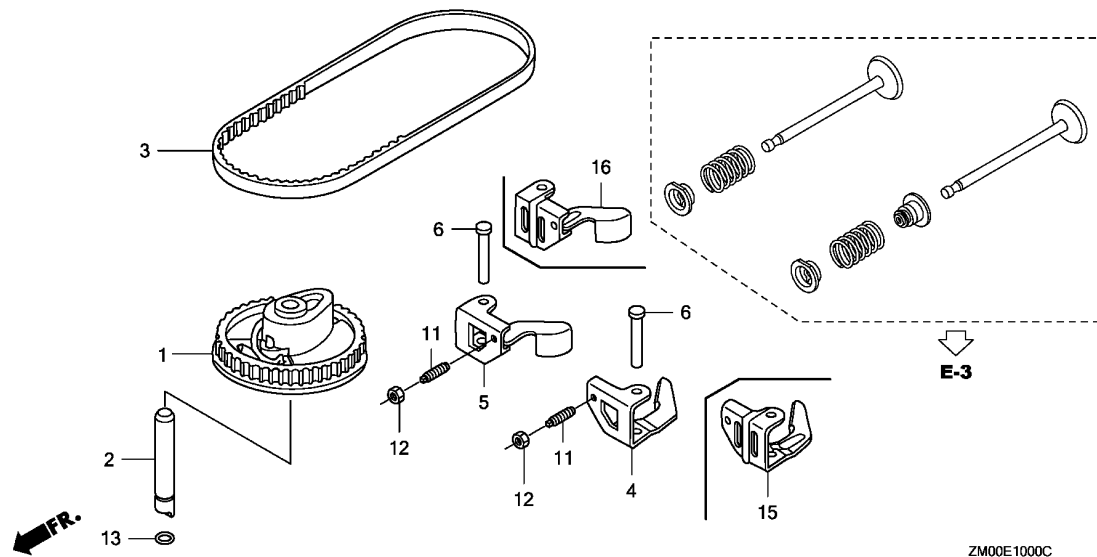
Ref. No.	Part No.	Description	Reqd. QTY						Serial No.	Parts catalogue code
			GCV 135	GCV 135 E	GCV 160	GCV 160 A	GCV 135 A	GCV 160 E		
(3)	13200-ZL8-000	ROD ASSY., CONNECTING	-	-	1	1	-	-	-----	A1A,A1AE,A1AF,A1AS,A1C,A1E,A1E7,A1E8,A1G7,A1M,A1P,A1U A1W2,A1W7,A2A,A2C,A2E,A2E4,A2E7,A2E8,A2E9,A2G7,A2R,A2U A3A,A3E,A4E,A7E1,BHH,EHBB,E1A2,E1A4,E1G7,E2G7,E5A4 NBL1,N1,N1A,N1AF,N1C,N1D,N1E1,N1E2,N1E7,N1J1,N1L,N1R N1U,N1W,N1W1,N1W2,N1W7,N1W8,N1W9,N2,N2D,N2E,N2E1,N2E2 N2E3,N2E7,N2E8,N2E9,N2U,N3U,N3V,N5A,N5AF,N5C,N7A1,N7S1 RTL1,R1A,R3A,R3A1,STA1,STL1,S1A,S1A1,S3A,S3A2,S3H,S3H2
	13200-Z0J-000	-	-	-	-	-	1	-----	BHH1,C1E,C1E1,C2E,C2E1,C3E,C3E1,C4E,C4E1,N5MF,N5R,S1M S2G7
4	90001-ZE1-000	BOLT, CONNECTING ROD	2	2	2	2	2	2		
5	90551-ZE0-000	CLIP, PISTON PIN, 13MM	2	2	2	2	2	2		
6	13010-ZL8-003	RING SET, PISTON (RIKEN)	1	-	1	-	1	-	-----	A1E,A1E7,A1E8,A1G7,A1G9,A1P,A1W7,A2A9,A2E,A2E7,A2E8 A2E9,A2G,A2G4,A2G7,A2G9,A2R,A3E7,A3W7,A3W8,A7E1,N1D N1E,N1E1,N1E2,N1E7,N1G,N1J1,N1R,N1S,N1S7,N1T8,N1T9,N1U N1W,N1W7,N1W8,N1W9,N2E,N2E1,N2E3,N2E7,N2E8,N2E9,N2KA N3T8,N3T9,N3W8,N3W9,N7A1,N7E1,N7E2,S1E1,S2E,S2E1
	13010-ZL8-004	RING SET, PISTON (TEIKOKU) ..	1	-	1	-	-	-	-----	A1D,A1E1,A1J,A1U,A2D,A2E1,A2U,A4E,N1E,N2D,N2E2 A3E,N2E3 A2G,N1G
	13010-ZL8-024	1	1	1	1	-	1	-----	A1A,A1AE,A1AF,A1AS,A1C,A1E,A1E7,A1E8,A1G7,A1G9,A1P A1W2,A1W7,A2A,A2A9,A2C,A2E,A2E4,A2E7,A2E8,A2E9,A2G4 A2G7,A2G9,A2R,A3A,A3E7,A3W7,A3W8,A7E1,BHH,NBL1,N1,N1A N1AF,N1C,N1D,N1E1,N1E2,N1E7,N1J1,N1R,N1S,N1S7,N1T8 N1T9,N1U,N1W,N1W1,N1W2,N1W7,N1W8,N1W9,N2,N2E,N2E1,N2E7 N2E8,N2E9,N2KA,N2U,N3T8,N3T9,N3U,N3V,N3W8,N3W9,N5A N5AF,N5C,N7A1,N7E1,N7E2,RTL1,STA1,STL1,S1A,S1A1,S1E1 S2E,S2E1,S3A A2G,N1G A3E,N1E,N2E3
	13010-Z0L-003	RING SET, PISTON (RIKEN)	-	-	-	1	-	1	-----	C1E,C1E1,C2E,C2E1,C3E,C3E1,C4E,C4E1,S2E2,S2E3 5383514 A1A,A1AE,A1AF,A1AS,A1C,A1E,A1E7,A1E8,A1M,A1W7,A2A,A2C A2E7,A2E8,A2E9,A2G7,A2R,A3A,A3E,A7E1,BHH,BHH1,NBL1,N1A N1AF,N1C,N1E1,N1E7,N1L,N1R,N1U,N1W7,N1W8,N1W9,N2E7 N2E8,N2E9,N2U,N3U,N3V,N5A,N5AF,N5C,N5MF,N5R,N7A1,N7S1 RTL1,STA1,STL1,S1A,S1A1,S1M,S2G7,S3A,S3A2,S3H,S3H2 8024760 EHBB,E1A2,E1A4,E1G7,E2G7,E5A4,R1A,R3A,R3A1 2033972 A3E9
	13010-Z0L-004	RING SET, PISTON (STD.) (TEIKOKU)	-	-	-	1	-	-	-----	5383514 A1A,A1AE,A1AF,A1AS,A1C,A1E,A1E7,A1E8,A1M,A1W7,A2A,A2C A2E7,A2E8,A2E9,A2G7,A2R,A3A,A3E,A7E1,BHH,BHH1,NBL1,N1A N1AF,N1C,N1E1,N1E7,N1L,N1R,N1U,N1W7,N1W8,N1W9,N2E7 N2E8,N2E9,N2U,N3U,N3V,N5A,N5AF,N5C,N5MF,N5R,N7A1,N7S1 RTL1,STA1,STL1,S1A,S1A1,S1M,S2G7,S3A,S3A2,S3H,S3H2 8024760 EHBB,E1A2,E1A4,E1G7,E2G7,E5A4,R1A,R3A,R3A1 2033972 A3E9





ZM00-E0800A

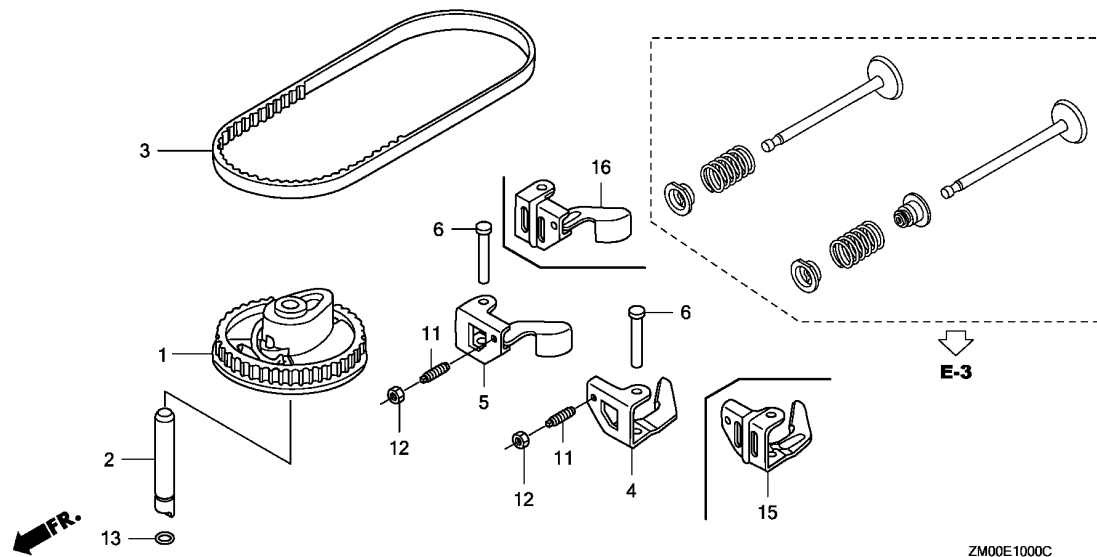
Ref. No.	Part No.	Description	Reqd. QTY						Serial No.	Parts catalogue code	
			GCV 135	GCV 135 E	GCV 160	GCV 160 A	GCV 135 A	GCV 160 E			
(6)	13010-ZOL-014	RING SET, PISTON (STD.) (TEIKOKU)	-	1	-	1	-	1	-----	A3G9,A3T9,A4G4,A4G7,A4G9,C1E,C1E1,C2E,C2E1,C3E,C3E1	
			-	-	-	1	-	-	5383515	-----	C4E,C4E1,N2KE,S2E2,S2E3,S3E9,S3G9,S4E4,S4E9,S4G4,S4G9
			-	-	-	-	-	-	-	-	A1A,A1AE,A1AF,A1AS,A1C,A1E,A1E7,A1E8,A1M,A1W7,A2A,A2C
			-	-	-	-	-	-	-	-	A2E7,A2E8,A2E9,A2G7,A2R,A3A,A3E,A7E1,BHH,BHH1,NBL1,N1A
			-	-	-	1	-	-	8024761	-----	N1AF,N1C,N1E1,N1E7,N1L,N1R,N1U,N1W7,N1W8,N1W9,N2E7
			-	-	-	-	-	-	2033973	-----	N2E8,N2E9,N2U,N3U,N3V,N5A,N5AF,N5C,N5MF,N5R,N7A1,N7S1
			-	-	-	-	-	1	-	-----	RTL1,STA1,STL1,S1A,S1A1,S1M,S2G7,S3A,S3A2,S3H,S3H2
			-	-	-	-	-	-	-	-----	EHHB,E1A2,E1A4,E1G7,E2G7,E5A4,R1A,R3A,R3A1
			-	-	-	-	-	-	-	-----	A3E9



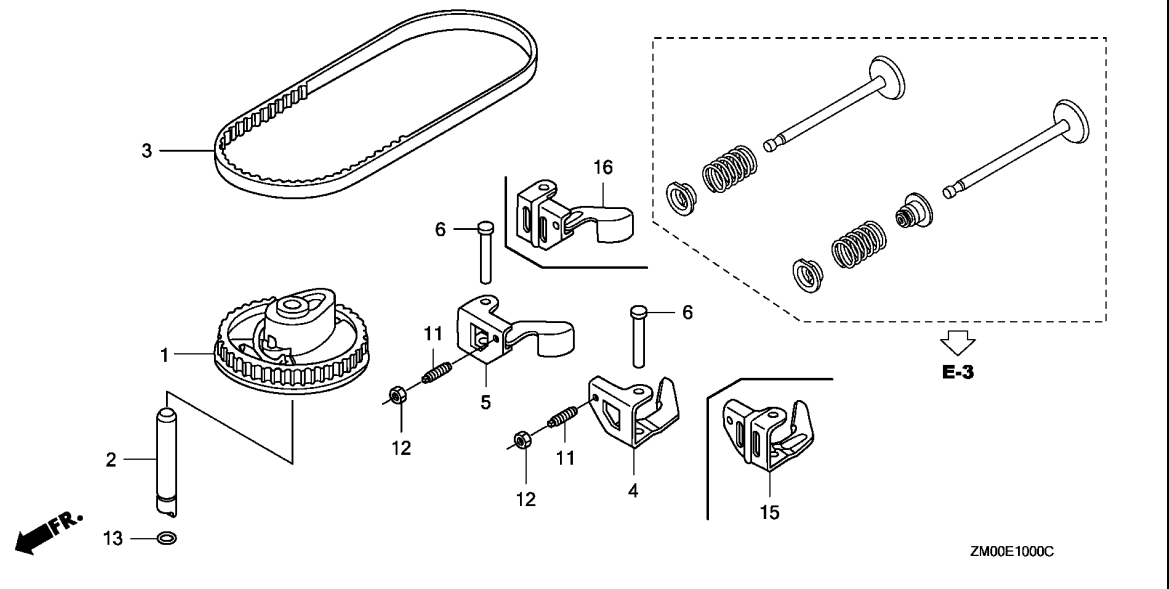
Ref. No.	L.O.N.	(Relative ref. Number) Description	F.R.T.
1	1111N5	PULLEY, CAMSHAFTINCLUDES: Valve clearance adjustment (13)	0.4
2	1111R8	SHAFT, CAM PULLEYINCLUDES: Valve clearance adjustment	0.4
3	1111N6	BELT, TIMINGINCLUDES: Valve clearance adjustment	1.0
4	1111A2	ARM, ROCKER :INTAKEINCLUDES: Valve clearance adjustment	0.3
	1111A2A	.Replace exhaust rocker arm add	0.1
5	1111A1	ARM, ROCKER :EXHAUSTINCLUDES: Valve clearance adjustment	0.3
	1111A1A	.Replace intake rocker arm add	0.1

Ref. No.	Part No.	Description	Reqd. QTY						Serial No.	Parts catalogue code
			GCV 135	GCV 135 E	GCV 160	GCV 160 A	GCV 135 A	GCV 160 E		
1	14320-ZL8-000	PULLEY COMP., CAMSHAFT	1	1	1	1	-	-	-----	A1A,A1C,A1D,A1E1,A1J,A1P,A1U,A1W2,A2A,A2C,A2D,A2E,A2E1,A2E4,A2G,A2G7,A2U,A4E,N1,N1A,N1C,N1D,N1E,N1E2,N1G,N1S,N1W,N1W1,N1W2,N2,N2D,N2E,N2E1,N2E2,N2E3,N2U,N3V,N5A,N5C A1E,A1W7,A3E,N1E1,N1W9,N3U A2R,N1U N1W8
	14320-ZL8-010	1	1	1	1	-	-	-----	A1AE,A1AF,A1AS,A1E7,A1E8,A1G7,A1G9,A1M,A2E7,A2E8,A2E9,A2G4,A2G9,A3A,A3G9,A4G4,A4G7,A4G9,A7E1,BHH,BHH1,C1E,C1E1,C2E,C2E1,C3E,C3E1,C4E,C4E1,EHHB,E1A2,E1A4,E1G7,E2G7,E5A4,NBL1,N1AF,N1E7,N1J1,N1L,N1R,N1S7,N1W7,N2E7,N2E8,N2E9,N2KA,N2KE,N5AF,N5MF,N5R,N7A1,N7E1,N7E2,N7S1,RTL1,R1A,R3A,R3A1,STA1,STL1,S1A,S1A1,S1M,S2E,S2E1,S2E2,S2E3,S2G7,S3A,S3A2,S3E9,S3G9,S3H,S3H2,S4E4,S4E9,S4G4,S4G9 A1W7,N1W8,N1W9,N3U A2R,N1U A1E,A3E,N1E1
2	14324-ZL8-000	SHAFT, CAM PULLEY	1	1	1	1	-	-	-----	-----
3	14400-ZL9-003	BELT, TIMING (79HU7 G-200) ..	1	1	-	-	-	-	-----	-----
	14400-ZL9-013	1	1	-	-	-	-	-----	A1A,A1C,A1D,A1E,A1E1,A1J,A1U,A2A,A2C,A2D,A2E,A2E1,A2E4,A2G,A2G7,A2U,A3E,A4E,N1D,N1E,N1E1,N1G,N1S,N1W,N1W1,N2D,N2E,N2E1,N2E2,N2E3,N2U A2R,N1U A1E7,A1E8,A1G9,A2E7,A2E8,A2E9,A2G4,A2G9,A3G9,A4G4,A4G7,A4G9,A7E1,N1S7,N1W7,N1W8,N2E7,N2E8,N2E9,N2KA,N2KE,N7E1,N7E2,S2E,S2E1,S2E2,S2E3,S3E9,S3G9,S4E4,S4E9,S4G4,S4G9 A2R,N1U



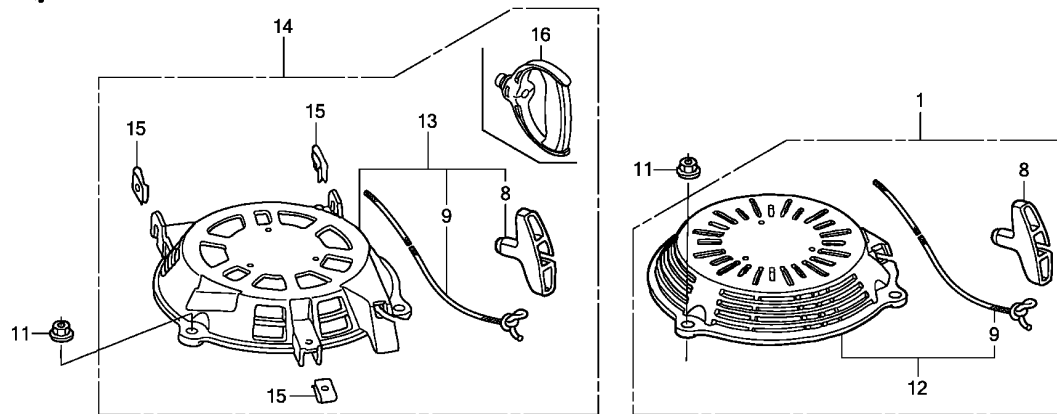


Ref. No.	Part No.	Description	Reqd. QTY						Serial No.	Parts catalogue code
			GCV 135 E	GCV 135 E	GCV 160 A	GCV 160 A	GCV 135 E	GCV 160 E		
(3)	14400-ZL8-003	BELT, TIMING (84HU7 G-200) ..	-	-	1	-	-	-	-----	A1A,A1C,A1E,A1J,A1P,A1U,A1W2,A1W7,A2A,A2C,A2E,A2E4,A2G7,A2R,A2U,A3E,A4E,N1,N1D,N1E1,N1E2,N1U,N1W,N1W1,N1W2,N1W8,N1W9,N2,N2D,N2E,N2E1,N2E2,N2E3,N2U,N3U,N3V,N1E7,A1E8,A1G7,A2E7,A2E8,A2E9,A7E1,N1E7,N1J1,N1R,N1W7,N2E7,N2E8,N2E9,N7A1
	14400-ZL8-013	-	-	1	-	-	-	-----	A1A,A1C,A2A,A2C,A2G7,A2R,N1A,N1C,N1U,N2U,N3V,N5A,N5C,A1AE,A1AF,A1AS,A1E,A1E7,A1E8,A1M,A1W7,A2E7,A2E8,A2E9,A3A,A3E,A7E1,BHH,BHH1,C1E,C1E1,C2E,C2E1,C3E,C3E1,C4E,C4E1,EHHB,E1A2,E1A4,E1G7,E2G7,E5A4,NBL1,N1AF,N1E1,N1E7,N1L,N1R,N1W7,N1W8,N1W9,N2E7,N2E8,N2E9,N3U,N5AF,N5MF,N5R,N7A1,N7S1,RTL1,R1A,R3A,R3A1,STA1,STL1,S1A,S1A1,S1M,S2G7,S3A,S3A2,S3H,S3H2
	14400-Z0J-004	-	-	-	-	-	1	-----	
	14400-Z0J-014	-	-	-	1	-	-	-----	
4	14431-ZL8-000	ARM, IN. VALVE ROCKER	1	-	1	-	-	-	-----	A2G,N1G
5	14441-ZL8-000	ARM, EX. VALVE ROCKER	1	-	1	-	-	-	-----	A2G,N1G
		-	1	-	-	-	-	-----	
6	14461-ZL8-000	SHAFT, ROCKER ARM	2	2	2	2	2	2		
11	90012-333-000	SCREW, TAPPET ADJUSTING	2	2	2	2	2	2		
12	90206-001-000	NUT, TAPPET ADJUSTING	2	2	2	2	2	2		
13	91301-ZM0-V31	O-RING, 6.8X1.9(ARAI)	1	-	1	1	1	-		
	91301-Z0M-003	O-RING, 6.8X1.9	-	1	-	-	-	-	-----	
15	14431-Z0J-000	ARM, IN. VALVE ROCKER	-	1	-	-	-	-	-----	A1E,A1E7,A1E8,A1G9,A2E,A2E7,A2E8,A2E9,A2G4,A2G7,A2G9,A2R,A3G9,A4G4,A4G7,A4G9,A7E1,N1E,N1S,N1S7,N1U,N1W,N1W7,N1W8,N2E,N2E1,N2E3,N2E7,N2E8,N2E9,N2KA,N2KE,N7E1,N7E2,S2E,S2E1,S2E2,S2E3,S3E9,S3G9,S4E4,S4E9,S4G4,S4G9
		-	-	-	1	1	1		



Ref. No.	Part No.	Description	Reqd. QTY						Serial No.	Parts catalogue code
			GCV 135	GCV 135 E	GCV 160	GCV 160 A	GCV 135 A	GCV 160 E		
16	14441-Z0J-000	ARM, EX. VALVE ROCKER	-	1	-	-	-	-	-	A1E,A1E7,A1E8,A1G9,A2E,A2E7,A2E8,A2E9,A2G4,A2G7,A2G9,A2R,A3G9,A4G4,A4G7,A4G9,A7E1,N1E,N1S,N1S7,N1U,N1W,N1W7,N1W8,N2E,N2E1,N2E3,N2E7,N2E8,N2E9,N2KA,N2KE,N7E1,N7E2,S2E,S2E1,S2E2,S2E3,S3E9,S3G9,S4E4,S4E9,S4G4,S4G9
			-	-	-	1	1	1		





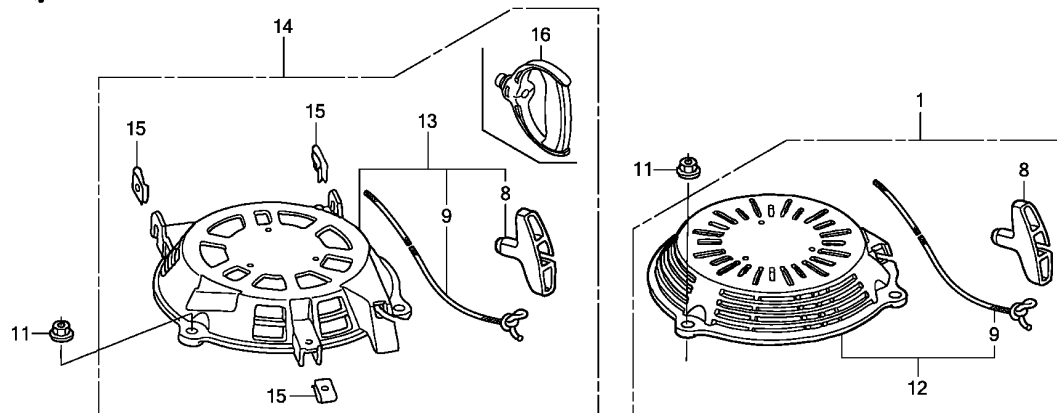
Ref. No.	L.O.N.	(Relative ref. Number) Description	F.R.T.
1		(13,14)	
1121B9		STARTER, RECOIL	0.1
8		(16)	
1121A3		GRIP, RECOIL STARTER	0.1
9		ROPE, RECOIL STARTER	0.3

2

Ref. No.	Part No.	Description	Reqd. QTY						Serial No.	Parts catalogue code
			GCV 135	GCV 135 E	GCV 160	GCV 160 A	GCV 135	GCV 160 E		
1	28400-ZM0-003ZA	STARTER ASSY., RECOIL *NH1*.....BLACK	1	-	-	-	-	-	1126301	N1D,N1E,N1E1,N1U,N2D,N2E,N2E1,N2E2,N2E3,N2U
	28400-ZM0-003ZB	*R8*.....BRIGHT RED	1	-	1	-	-	-	1297891	N1D,N1E1,N1E2,N1U,N2D,N2E,N2E1,N2E2,N2E3,N2U
	28400-ZM0-013ZA	*NH1*.....BLACK	1	-	1	-	-	-	1126301	N1E,N2E,N2E3,N2U
			1	-	1	-	-	-	1297891	N1E2,N1U,N2E,N2E3,N2U,N3V
	28400-ZM0-013ZB	*R8*.....BRIGHT RED	1	-	1	-	-	-	1126302	N1E7,N1J1,N2E7,N2E8
			1	-	1	-	-	-	1126302	N1D,N1E,N1E1,N1U,N2D,N2E,N2E1,N2E2,N2E3,N2U
			-	-	1	-	-	-	1614891	A2R
			-	-	1	-	-	-		N2E9
			-	-	1	-	-	-	1297892	N1D,N1E1,N1E2,N1U,N2D,N2E,N2E1,N2E2,N2E3,N2U
	28400-ZM0-013ZB	*R8*.....BRIGHT RED	1	-	1	-	-	-	2146956	A2R
			1	-	1	-	-	-	1126302	N1E,N2E3
			1	-	1	-	-	-	1623804	N2E7,N2E9
			1	-	1	-	-	-	1623804	N2E,N2U
			-	-	1	-	-	-	2424487	N2E7,N2E9
			-	-	1	-	-	-	1297892	2424487
	28400-ZM0-013ZC	*R280*.....POWER RED	1	-	1	-	-	-	1297892	N1E2,N1U,N2E,N2E3,N2U,N3V
			-	-	1	-	-	-	1623805	N2E,N2E7,N2E9,N2U
	28400-ZM0-023ZA	*NH1*.....BLACK	-	1	-	1	-	1	2424488	N1E2,N1U,N2E,N2E3,N2E7,N2E9,N2U,N3V
			-	1	-	1	-	1		N1D,N1E,N1E1,N1E2,N1E7,N1J1,N1U,N2E,N2E1,N2E3,N2E7
			-	-	-	1	-	1		N2E8,N2U
			-	-	-	1	-	1		N2E9
	28400-ZM0-023ZC	*R280*.....POWER RED	-	1	-	1	-	1		N1D,N1E,N1E1,N1E2,N1J1,N2E,N2E3,N2E7,N2E9,N3V
			-	1	-	-	-	1		N1E7,N1U,N2E8
	28400-ZL8-013ZA	*NH1*.....BLACK	1	-	1	-	-	-		A7E1,N3V,N7A1,N7E1,N7E2
			1	-	1	-	-	-	1614892	A2R
			-	-	1	-	-	-	2146957	A2R
	28400-ZL8-013ZB	*R8*.....BRIGHT RED	1	-	-	-	-	-		A2R

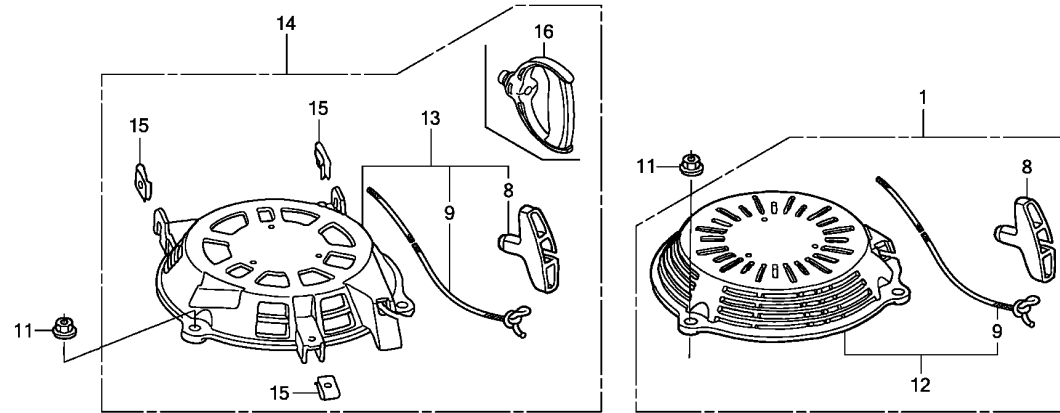
Ref. No.	Part No.	Description	Reqd. QTY						Serial No.	Parts catalogue code
			GCV 135	GCV 135 E	GCV 160	GCV 160 A	GCV 135 A	GCV 160 E		
(1)	28400-ZL8-023ZA	STARTER ASSY., RECOIL *NH1*.....BLACK	-	1	-	1	-	1	-----	A2R,A7E1,E1A4,E5A4,N1A,N1AF,N1C,N1L,N5A,N5AF,N5C,N5MF,N7A1,N7E1,N7E2,N7S1
	28400-ZL8-023ZC	*R280*.....POWER RED	-	1	-	-	-	1	-----	A2R E1A4,E5A4,N5R
	28400-ZM0-631ZA	STARTER ASSY., RECOIL (LONG ROPE) *NH1*.....BLACK	1	-	-	-	-	-	-----	1126301 A1A,A1C,A1D,A1E,A1E1,A1J,A1U,A2A,A2C,A2D,A2E,A2E1,A2U,A3E,A4E
	28400-ZM0-631ZB	*R8*.....BRIGHT RED	1	-	1	-	-	-	-----	1297891 A1A,A1C,A1E,A1J,A1U,A2A,A2C,A2E,A2U,A3E,A4E,N1,N2 1126301 A1E,A2E,A2G 1297891 A1E,A1P,A2E
	28400-ZM0-632ZA	*NH1*.....BLACK	1	-	1	-	-	-	-----	A1E7,A1E8,A1G7,A2E4,A2E7,A2E8,A2E9,A2G7,N1S,N1S7,N1W,N1W7,N1W9,N3U
	28400-ZM0-632ZB	*R8*.....BRIGHT RED	-	-	1	-	-	-	-----	1126302 A1A,A1C,A1D,A1E,A1E1,A1J,A1U,A2A,A2C,A2D,A2E,A2E1,A2U,A3E,A4E 1297892 A1A,A1C,A1E,A1J,A1U,A2A,A2C,A2E,A2U,A3E,A4E,N1,N2 A2G 2425099 A1E7,A1E8,A2E4,A2E7,A2E8,A2E9,A2G7,N1R 1297892 2425099 A1E,A1P,A2E S2E
	28400-ZM0-632ZC	*YR288R*.....CANOA ORANGE R	1	-	1	-	-	-	-----	A1W2,A1W7,N1W1,N1W2,N1W8,N1W9
	28400-ZM0-632ZD	*R280*.....POWER RED	1	-	-	-	-	-	-----	A1E7,A1E8,A2E4,A2E7,A2E8,A2E9,A2G7
	28400-ZM0-633ZA	*NH1*.....BLACK	-	1	-	1	-	1	-----	A1E,A2E,A2G N3U 2425100 A1E,A1E7,A1E8,A1P,A2E,A2E4,A2E7,A2E8,A2E9,A2G7,N1R A1A,A1AE,A1AF,A1AS,A1C,A1E,A1E7,A1E8,A1G7,A1M,A1P,A2A,A2C,A2E,A2E7,A2E8,A2E9,A2G7,A3A,A3E,A3E7,A3T9,A3W8,A4G7,C1E,C2E,C3E,C4E,EHHB,E1A2,E1G7,E2G7,N1R,N1S,N1S7,N1T8,N1T9,N1W,N1W7,N2KA,N2KE,N3T8,N3T9,N3U,N3W8,N3W9,R1A,R3A,S1A,S1M,S2E,S2G7,S3A2,S3H
	28400-ZM0-633ZC	*YR288R*.....CANOA ORANGE R	-	-	-	1	-	-	-----	3396966 BHH,S3A,S3H2 A1W7,N1W8,N1W9
	28400-ZM0-633ZD	*R280*.....POWER RED	-	1	-	1	-	1	-----	A1W7,A3W7,A3W8,C1E,C2E,E1G7,E2G7,N1W8,N1W9,N3W8,N3W9,R1A,R3A,N1W7
	28400-Z0L-V20ZA	*NH1*.....BLACK	-	-	-	-	1	-	-----	A1E,A1E7,A1E8,A1P,A2E,A2E7,A2E8,A2E9,A2G7,A3E,C1E,C2E,EHHB,E1A2,E1G7,E2G7,N1R,N3U,R1A,R3A,N1W7
	28400-Z0L-V20ZB	*R280*.....POWER RED	-	-	-	1	-	-	-----	BHH1
8	28461-ZL8-003	GRIP, STARTER	1	1	1	-	1	1	-----	3396967 BHH,S3A,S3H2 BHH1
	28462-ZL8-003	ROPE, RECOIL STARTER	1	1	1	1	-	1	-----	A1A,A1AE,A1AF,A1AS,A1C,A1E,A1E7,A1E8,A1M,A1W7,A2A,A2C,A2E7,A2E8,A2E9,A2G7,A2R,A3A,A3E,A7E1,BHH,BHH1,C1E,C1E1,C2E,C2E1,C3E,C3E1,C4E,C4E1,EHHB,E1A2,E1A4,E1G7,E2G7,E5A4,N1A,N1AF,N1C,N1E1,N1E7,N1L,N1R,N1U,N1W7,N1W8,N1W9,N2E7,N2E8,N2E9,N2U,N3U,N3V,N5A,N5AF,N5C,N5MF,N5R,N7A1,N7S1,R1A,R3A,S1A,S1A1,S1M,S2G7,S3A,S3A2,S3H,S3H2
9	28462-ZL8-003	ROPE, RECOIL STARTER	1	1	1	1	-	1	-----	A2R,A7E1,E1A4,E5A4,N1A,N1AF,N1C,N1D,N1E,N1E1,N1E2,N1E7,N1J1,N1L,N1U,N2D,N2E,N2E1,N2E2,N2E3,N2E7,N2E8,N2E9,N2U,N3V,N5A,N5AF,N5C,N5MF,N5R,N7A1,N7E1,N7E2,N7S1
	28462-Z0L-V71	ROPE, RECOIL STARTER (LONG TYPE)	-	-	-	-	1	-	-----	NBL1,RTL1,R3A1,STA1,STL1





ZM00E1100F

Ref. No.	Part No.	Description	Reqd. QTY						Serial No.	Parts catalogue code	
			GCV 135 E	GCV 135	GCV 160	GCV 160 A	GCV 135 A	GCV 160 E			
(9)	28462-ZL8-631	ROPE, RECOIL STARTER (LONG TYPE)	1	1	1	1	-	1	-----	A1A,A1AE,A1AF,A1AS,A1C,A1D,A1E,A1E1,A1E7,A1E8,A1G7,A1G9,A1J,A1M,A1P,A1U,A1W2,A1W7,A2A,A2A9,A2C,A2D,A2E,A2E1,A2E4,A2E7,A2E8,A2E9,A2G,A2G4,A2G7,A2G9,A2U,A3A,A3E,A3E7,A3E9,A3G9,A3T9,A3W7,A3W8,A4E,A4G4,A4G7,A4G9,C1E,C1E1,C2E,C2E1,C3E,C3E1,C4E,C4E1,EHBB,E1A2,E1G7,E2G7,N1,N1G,N1R,N1S,N1S7,N1T8,N1T9,N1W,N1W1,N1W2,N1W7,N1W8,N1W9,N2,N2KA,N2KE,N3T8,N3T9,N3U,N3W8,N3W9,R1A,R3A,S1A,S1A1,S1E1,S1M,S2E,S2E1,S2E2,S2E3,S2G7,S3A2,S3E9,S3G9,S3H,S4E4,S4E9,S4G4,S4G9	
	28462-Z0L-V20	ROPE, RECOIL STARTER (BLACK) (LONG TYPE)	-	-	-	1	-	-	-----	3396966	BHH,S3A,S3H2
	11 90201-ZM0-J20	NUT, FLANGE CAP, 6MM	3	3	3	-	-	3	-----	3396967	BHH1
	90201-ZM0-000	NUT, FLANGE, 6MM	3	3	3	3	-	3	-----		BHH,S3A,S3H2
									-----		A1P,A2G,N1G
									-----		A1A,A1AE,A1AF,A1AS,A1C,A1D,A1E,A1E1,A1E7,A1E8,A1G7,A1G9,A1J,A1M,A1U,A1W2,A1W7,A2A,A2A9,A2C,A2D,A2E,A2E1,A2E7,A2E8,A2G4,A2G7,A2G9,A2R,A2U,A3A,A3E,A3E7,A3E9,A3G9,A3T9,A3W7,A3W8,A4E,A4G4,A4G7,A4G9,A7E1,BHH,BHH1,C1E,C1E1,C2E,C2E1,C3E,C3E1,C4E,C4E1,EHBB,E1A2,E1A4,E1G7,E2G7,E5A4,NBL1,N1,N1A,N1AF,N1C,N1D,N1E,N1E1,N1E2,N1E7,N1J1,N1L,N1R,N1S,N1S7,N1T8,N1T9,N1U,N1W,N1W1,N1W2,N1W7,N1W8,N1W9,N2,N2D,N2E,N2E1,N2E2,N2E3,N2E7,N2E8,N2E9,N2KA,N2KE,N2U,N3T8,N3T9,N3U,N3V,N3W8,N3W9,N5A,N5AF,N5C,N5MF,N5R,N7A1,N7E1,N7E2,N7S1,RTL1,R1A,R3A,R3A1,STA1,STL1,S1A,S1A1,S1E1,S1M,S2E,S2E1,S2E2,S2E3,S2G7,S3A,S3A2,S3E9,S3G9,S3H,S3H2,S4E4,S4E9,S4G4,S4G9
	90303-MR1-000	3	3	3	3	-	3	-----		A2E4,A2E9



ZM00E1100F

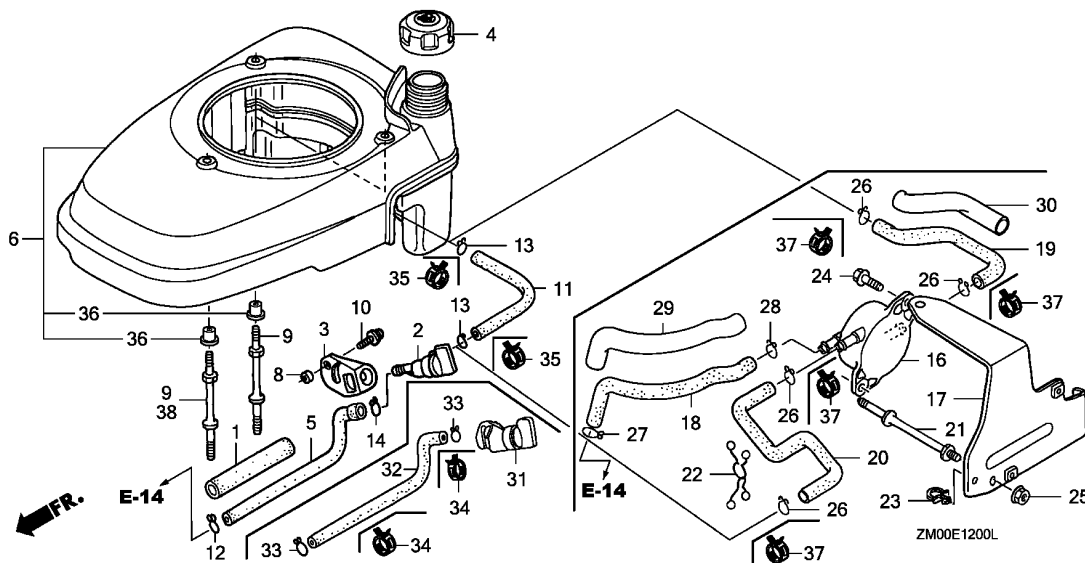
Ref. No.	Part No.	Description	Reqd. QTY						Serial No.	Parts catalogue code
			GCV 135	GCV 135 E	GCV 160	GCV 160 A	GCV 135 A	GCV 160 E		
12	28400-ZM0-J20ZA	STARTER ASSY., RECOIL	1	-	-	-	-	-	----- 1126301	N1G
		R8.....BRIGHT RED	1	-	-	-	-	-	-----	N1G
	28400-ZM0-J21ZA	*R8*.....BRIGHT RED	1	-	-	-	-	-	1126302 -----	N1G
13	28400-Z0L-802	STARTER ASSY., RECOIL	-	-	-	1	-	-	-----	S1A1
14	28400-Z0M-801	STARTER ASSY., RECOIL	-	1	-	1	-	1	-----	A1G9,A2A9,A2G4,A2G9,A3E9,A3G9,A4G4,A4G9,C1E1,C2E1,C3E1 C4E1,S1E1,S2E1,S2E2,S2E3,S3E9,S3G9,S4E4,S4E9,S4G4,S4G9
	28400-Z0L-V72	STARTER ASSY., RECOIL (LONG ROPE)	-	-	-	1	-	-	-----	NBL1,RTL1,R3A1,STA1,STL1
15	66871-KY2-700	NUT, UPPER COWL	-	3	-	3	-	3	-----	A1G9,A2A9,A2G4,A2G9,A3E9,C1E1,C2E1,NBL1,RTL1,R3A1,STA1 STL1,S1A1,S1E1,S2E1
	66871-611-000	NUT, CENTER PANEL	-	3	-	3	-	3	-----	S2E3
			-	3	-	3	-	3	-----	A3G9,A4G4,A4G9,C3E1,C4E1,S2E2,S3E9,S3G9,S4E4,S4E9,S4G4 S4G9
			-	3	-	-	-	-	-----	S2E3
16	28461-Z0L-V71	KNOB, RECOIL STARTER	-	-	-	1	-	-	-----	NBL1,RTL1,R3A1,STA1,STL1



E-12

FAN COVER

F 4



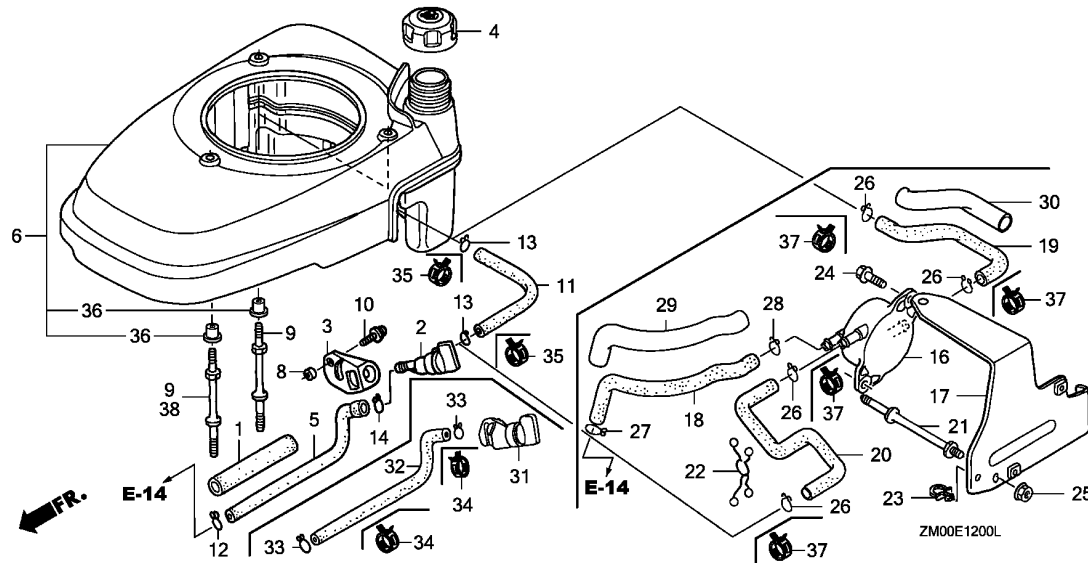
Ref. No.	L.O.N.	(Relative ref. Number) Description	F.R.T.
2		(31)	
3101A3		COCK, FUEL	0.1
3101J3		BRACKET, FUEL COCK	0.2
5		(32)	
3101V5		TUBE, FUEL (FUEL COCK-CARBURETOR)	0.2
6	1141G8	COVER, ENGINE COOLING FAN	0.2
11	3101F1	TUBE, FUEL TANK	0.1
16	3101H9	PUMP, FUEL	0.3
18	3101E5	TUBE, DIAPHRAGM	0.2
19	3101K5	TUBE, FUEL TANK(A)	0.2
20	3101V6	TUBE, FUEL (FUEL PUMP-FUEL COCK)	0.2

Ref. No.	Part No.	Description	Reqd. QTY						Serial No.	Parts catalogue code
			GCV 135	GCV 135 E	GCV 160	GCV 160 A	GCV 135 A	GCV 160 E		
1	16854-ZH8-000	RUBBER, SUPPORTER (107MM) ...	1	1	1	1	1	1		
2	16950-ZG9-M02	COCK ASSY., FUEL	1	-	-	-	-	-	-----	A1D,A1E1,A1J,A1U,A2D,A2E1,A2U,A4E,N1E,N2D,N2E2
			1	-	-	-	-	-	-----	A3E,N1E1,N2E3
	16950-ZG9-M03	1	-	-	-	-	-	-----	A2G,N1G
			-	1	-	-	-	-	-----	1623712 A1A,A1C,A1E,A1E7,A1E8,A2A,A2C,A2E,A2E4,A2E7,A2E8,A2E9 A2G,A2G7,A2R,A7E1,N1D,N1G,N1S,N1S7,N1U,N1W,N1W1,N1W7 N1W8,N2E,N2E1,N2E7,N2E8,N2E9,N2U,N7E1,N7E2
			-	1	-	-	-	-	-----	A1G9
			-	1	-	-	-	-	-----	1694818 A1E,A1E7,A1E8,A2E,A2E7,A2E8,A2E9,A2G7,A2G9,A7E1,N1E N1S,N1S7,N1W,N1W7,N1W8,N2E,N2E1,N2E3,N2E7,N2E8,N2E9 N7E1,N7E2,S2E,S2E1
			-	-	1	-	-	-	-----	2439088 A1A,A1C,A1E,A1E7,A1E8,A1G7,A1P,A1W2,A1W7,A2A,A2C,A2E A2E4,A2E7,A2E8,A2E9,A2G7,A2R,A3E,A7E1,N1,N1D,N1E1,N1E2 N1E7,N1R,N1U,N1W,N1W1,N1W2,N1W7,N1W8,N1W9,N2,N2E,N2E1 N2E3,N2E7,N2E8,N2E9,N2U,N3U,N3V,N7A1
			-	-	-	1	-	-	-----	2510374 A1A,A1AE,A1AF,A1AS,A1C,A1E7,A1E8,A1W7,A2A,A2C,A2E7 A2E8,A2E9,A2G7,A2R,A3A,A7E1,BHH,N1A,N1AF,N1C,N1E7,N1U N1W7,N1W8,N1W9,N2E7,N2E8,N2E9,N2U,N3V,N5A,N5AF,N5C N7A1,STA1,S1A,S1A1,S3A
			-	-	-	-	1	-	-----	1197181 A1E7,A1E8,A1G7,A1W7,A2E7,A2E8,A2E9,A2G7,A2G9,A7E1,N1E7 N1W7,N1W8,N1W9,N2E7,N2E8,N2E9,N7A1,S2E,S2E1

2

Ref. No.	Part No.	Description	Reqd. QTY						Serial No.	Parts catalogue code		
			GCV 135	GCV 135 E	GCV 160	GCV 160 A	GCV 135 A	GCV 160 E				
3	16956-ZM0-000	BRACKET, FUEL COCK	1	-	1	-	-	-	-----	A1D,A1E1,A1J,A1U,A2D,A2E1,A2U,A4E,N1E,N2D,N2E2		
			1	-	-	-	-	-	-----	A3E,N1E1,N2E3		
			1	-	-	-	-	-	-----	1623712 A1A,A1C,A1E,A1E7,A1E8,A2A,A2C,A2E,A2E4,A2E7,A2E8,A2E9		
											A2G,A2G7,A2R,A7E1,N1D,N1G,N1S,N1S7,N1U,N1W,N1W1,N1W7	
											N1W8,N2E,N2E1,N2E7,N2E8,N2E9,N2U,N7E1,N7E2	
											A2G,N1G	
											-----	2439088 A1A,A1C,A1E,A1E7,A1E8,A1G7,A1P,A1W2,A1W7,A2A,A2C,A2E
												A2E4,A2E7,A2E8,A2E9,A2G7,A2R,A3E,A7E1,N1,N1D,N1E1,N1E2
												N1E7,N1R,N1U,N1W,N1W1,N1W2,N1W7,N1W8,N1W9,N2,N2E,N2E1
												N2E3,N2E7,N2E8,N2E9,N2U,N3U,N3V,N7A1
16956-ZG9-M00	-	1	-	-	-	-	-----	A1G9		
			-	1	-	-	-	-	-----	1694818 A1E,A1E7,A1E8,A2E,A2E7,A2E8,A2E9,A2G7,A2G9,A7E1,N1E		
											N1S,N1S7,N1W,N1W7,N1W8,N2E,N2E1,N2E3,N2E7,N2E8,N2E9	
											N7E1,N7E2	
4	17620-ZL8-003	CAP ASSY., FUEL TANK	-	-	-	1	-	-	-----	2510374 A1A,A1AE,A1AF,A1AS,A1C,A1E7,A1E8,A1W7,A2A,A2C,A2E7		
											A2E8,A2E9,A2G7,A2R,A3A,A7E1,BHH,N1A,N1AF,N1C,N1E7,N1U	
											N1W7,N1W8,N1W9,N2E7,N2E8,N2E9,N2U,N3V,N5A,N5AF,N5C	
											N7A1,STA1,S1A,S1A1,S3A	
16956-ZG9-M00	-	-	-	-	1	-	-----	1197181 A1E7,A1E8,A1G7,A1W7,A2E7,A2E8,A2E9,A2G7,A2G9,A7E1,N1E7		
											N1W7,N1W8,N1W9,N2E7,N2E8,N2E9,N7A1	
			1	-	-	-	-	-	-----	1622109 A1A,A1C,A1D,A1E,A1E1,A1J,A1U,A2A,A2C,A2D,A2E,A2E1,A2E4		
											A2G,A2R,A2U,A3E,A4E,N1D,N1E,N1E1,N1G,N1S,N1U,N1W,N1W1	
4	17620-ZL8-003	CAP ASSY., FUEL TANK	-	-	1	-	-	-	-----	2226712 A1A,A1C,A1E,A1J,A1P,A1U,A1W2,A2A,A2C,A2E,A2E4,A2R,A2U		
											A3E,A4E,N1,N1D,N1E1,N1E2,N1U,N1W,N1W1,N1W2,N2,N2D,N2E	
											N2E1,N2E2,N2E3,N2U,N3V	
											A1A,A2A,A2R	
17620-ZL8-013	1	-	1	1	-	-	-----	A1AE,A1AF,A1AS,A1E7,A1E8,A1G7,A1M,A1W7,A2E7,A2E8,A2E9		
											A2G7,A3A,A7E1,BHH,BHH1,C1E,C1E1,C2E,C2E1,EHHB,E1A2	
											E1A4,E1G7,E2G7,E5A4,NBL1,N1A,N1AF,N1C,N1E7,N1J1,N1L	
											N1R,N1S7,N1W7,N1W8,N1W9,N2E7,N2E8,N2E9,N3U,N5A,N5AF	
17620-ZL8-013								N5C,N5MF,N5R,N7A1,N7E1,N7E2,N7S1,RTL1,R1A,R3A,R3A1		
											STA1,STL1,S1A,S1A1,S1M,S2G7,S3A,S3A2,S3H,S3H2	
			1	-	-	-	-	-	-----	1622110 A1A,A1C,A1D,A1E,A1E1,A1J,A1U,A2A,A2C,A2D,A2E,A2E1,A2E4		
											A2G,A2R,A2U,A3E,A4E,N1D,N1E,N1E1,N1G,N1S,N1U,N1W,N1W1	
17620-ZL8-013	-	-	1	-	-	-	-----	2226713 A1A,A1C,A1E,A1J,A1P,A1U,A1W2,A2A,A2C,A2E,A2E4,A2R,A2U		
											A3E,A4E,N1,N1D,N1E1,N1E2,N1U,N1W,N1W1,N1W2,N2,N2D,N2E	
											N2E1,N2E2,N2E3,N2U,N3V	
											A1C,A1E,A2C,A3E,N1E1,N1U,N2U,N3V	
17620-Z0M-000	-	-	-	-	1	-	-----			
			-	1	-	-	-	1	-----	C3E,C3E1,C4E,C4E1		

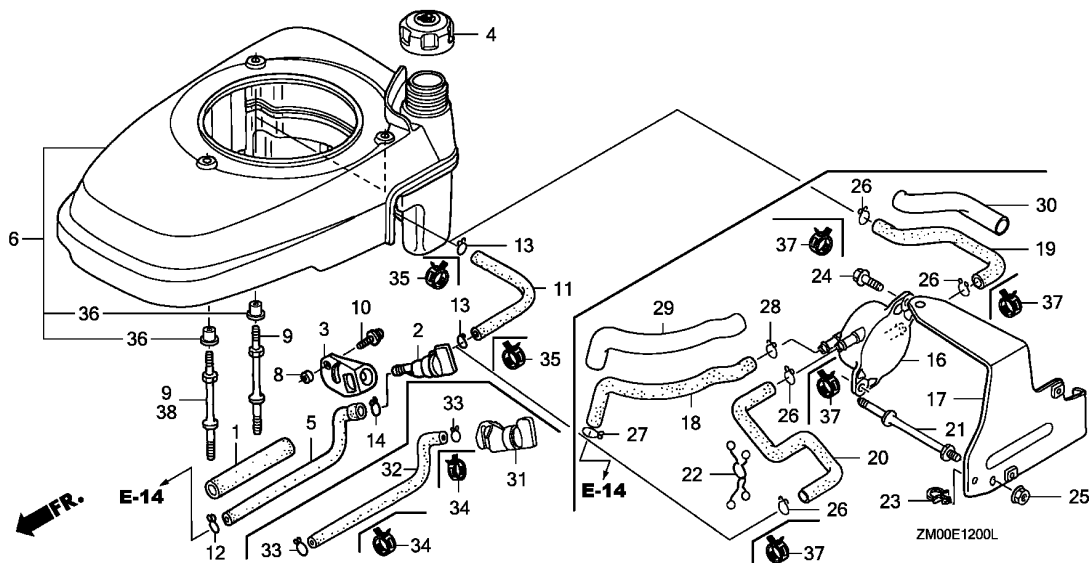




Ref. No.	Part No.	Description	Reqd. QTY						Serial No.	Parts catalogue code
			GCV 135 E	GCV 135	GCV 160	GCV 160 A	GCV 135 A	GCV 160 E		
5	17702-ZM0-000	TUBE, FUEL	1	1	1	-	-	-	-----	A1D,A1E1,A1G9,A1J,A1U,A2D,A2E1,A2U,A4E,N2D,N2E2
			1	-	-	-	-	-	-----	A3E,N1E,N1E1,N2E3
			1	-	-	-	-	-	1623712	A1A,A1C,A1E,A1E7,A1E8,A2A,A2C,A2E,A2E4,A2E7,A2E8,A2E9
			-	1	-	-	-	-	-----	A2G,A2G7,A2R,A7E1,N1D,N1G,N1S,N1S7,N1U,N1W,N1W1,N1W7
			-	1	-	-	-	-	-----	N1W8,N2E,N2E1,N2E7,N2E8,N2E9,N2U,N7E1,N7E2
			-	1	-	-	-	-	-----	A2G,N1G
6	19610-ZM0-J10ZA	COVER COMP., FAN *R8*.....BRIGHT RED	1	-	-	-	-	-----	1694818	A1E,A1E7,A1E8,A2E,A2E7,A2E8,A2E9,A2G7,A2G9,A7E1,N1E
			-	-	1	-	-	-	-----	N1S,N1S7,N1W,N1W7,N1W8,N2E,N2E1,N2E3,N2E7,N2E8,N2E9
			-	-	1	-	-	-	2439088	N7E1,N7E2,S2E,S2E1
			-	-	1	-	-	-	-----	A1A,A1C,A1E,A1E7,A1E8,A1G7,A1P,A1W2,A1W7,A2A,A2C,A2E
19610-ZM0-J11ZA	*R8*.....BRIGHT RED	1	-	-	-	-	1184252	A2E4,A2E7,A2E8,A2E9,A2G7,A2R,A3E,A7E1,N1,N1D,N1E1,N1E2		
		-	1	-	-	-	-	-----	N1E7,N1R,N1U,N1W,N1W1,N1W2,N1W7,N1W8,N1W9,N2,N2E,N2E1	
19610-ZM0-J11ZC	*R280*.....POWER RED	-	-	1	-	-	1417475	N2E3,N2E7,N2E8,N2E9,N2U,N3U,N3V,N7A1		
		-	-	1	-	-	2428342	A1A,A1AE,A1AF,A1AS,A1C,A1E7,A1E8,A1W7,A2A,A2C,A2E7		
-	-	-	-	-	1	-	-----	A2E8,A2E9,A2G7,A2R,A3A,A7E1,BHH,N1A,N1AF,N1C,N1E7,N1U		
-	-	-	-	-	-	1	-----	N1W7,N1W8,N1W9,N2E7,N2E8,N2E9,N2U,N3V,N5A,N5AF,N5C		
-	-	-	-	-	-	-	-----	N7A1,STA1,S1A,S1A1,S3A		
-	-	-	-	-	-	-	-----	1197181	A1E7,A1E8,A1G7,A1W7,A2E7,A2E8,A2E9,A2G7,A2G9,A7E1,N1E7	
-	-	-	-	-	-	-	-----	N1W7,N1W8,N1W9,N2E7,N2E8,N2E9,N7A1,S2E,S2E1		

Ref. No.	Part No.	Description	Reqd. QTY						Serial No.	Parts catalogue code
			GCV 135	GCV 135 E	GCV 160	GCV 160 A	GCV 135 A	GCV 160 E		
(6)	19610-ZM0-000ZA	COVER COMP., FAN *NH1*.....BLACK	-	-	1	-	-	-	1417474	A1A,A1C,A1E,A1J,A1U,A2A,A2C,A2E,A2U,A3E,A4E,N1,N1D N1E1,N1E2,N1U,N1W,N2,N2D,N2E,N2E1,N2E2,N2E3,N2U
	19610-ZM0-000ZB	*R8*.....BRIGHT RED	-	-	1	-	-	-	1417474	A1E,A2E,N1E2,N1U,N2E,N2E3,N2U,N3V
	19610-ZM0-010ZA	*NH1*.....BLACK	-	-	1	1	-	-	-	A1G7,A2E4,A2R,N1A,N1C,N1J1,N5A,N5C
			-	-	1	-	-	-	-	A1E7,A1E8,A2E7,A2E8,A2E9,A2G7,A7E1,N1E7,N1W7,N1W8,N1W9 N2E7,N2E8,N2E9,N3U,N3V,N7A1
			-	-	1	-	-	-	1417475	A1A,A1C,A1E,A1J,A1U,A2A,A2C,A2E,A2U,A3E,A4E,N1,N1D N1E1,N1E2,N1U,N1W,N2,N2D,N2E,N2E1,N2E2,N2E3,N2U
			-	-	-	-	-	-	-	A1A,A1C,A2A,A2C
			-	-	-	-	-	1	1215355	A1E7,A1E8,A1G7,A1W7,A2E7,A2E8,A2E9,A2G7,A2G9,A3E7,A7E1 N1E7,N1W7,N1W8,N1W9,N2E7,N2E8,N2E9,N7A1
	19610-ZM0-010ZB	*R8*.....BRIGHT RED	-	-	1	-	-	-	2424487	A1E7,A1E8,A2E4,A2E7,A2E8,A2E9,A2G7,N1R,N2E7,N2E9
			-	-	1	-	-	-	1417475	2424487 A1E,A2E,N1E2,N1U,N2E,N2E3,N2U,N3V
			-	-	-	-	-	1	-	A2G9
	19610-ZM0-010ZC	*Y166R*.....WOLF YELLOW	-	-	1	1	-	-	-	A1W2,A1W7,N1W1,N1W2,N1W8,N1W9
			-	-	-	-	-	1	1215355	A1W7,N1W7,N1W8,N1W9
	19610-ZM0-010ZD	*R280*.....POWER RED	-	-	1	-	-	-	-	N3U
			-	-	1	-	-	-	2424488	A1E,A1E7,A1E8,A2E,A2E4,A2E7,A2E8,A2E9,A2G7,N1E2,N1R N1U,N2E,N2E3,N2E7,N2E9,N2U,N3V
			-	-	-	-	-	1	1215355	A1E7,A1E8,A2E7,A2E8,A2E9,A2G7,N1E7,N1W7,N2E7,N2E8,N2E9
	19610-ZM1-000ZA	*NH1*.....BLACK	1	-	-	-	-	-	1187905	A1A,A1C,A1D,A1E,A1E1,A1J,A1U,A2A,A2C,A2D,A2E,A2E1,A2U A3E,A4E,N1D,N1E,N1E1,N1U,N1W,N2D,N2E,N2E1,N2E2,N2E3 N2U
	19610-ZM1-000ZB	*R8*.....BRIGHT RED	1	-	-	-	-	-	1187905	A1E,A2E,N1E,N2E,N2E3,N2U
	19610-ZM1-010ZA	*NH1*.....BLACK	1	1	-	-	-	-	-	A2E4,A2G7,A7E1,N1S,N7E1,N7E2
			1	-	-	-	-	-	-	A1E7,A1E8,A2E7,A2E8,A2E9,A2R,N1S7,N1W7,N2E7,N2E8
			1	-	-	-	-	-	1187906	A1A,A1C,A1D,A1E,A1E1,A1J,A1U,A2A,A2C,A2D,A2E,A2E1,A2U A3E,A4E,N1D,N1E,N1E1,N1U,N1W,N2D,N2E,N2E1,N2E2,N2E3 N2U
			-	1	-	-	-	-	-	A1E,A2E,N1E,N1W,N2E,N2E1,N2E3
			-	-	-	-	-	1	-	-
	19610-ZM1-010ZB	*R8*.....BRIGHT RED	1	-	-	-	-	-	1187906	N1E,N2E3
			1	-	-	-	-	-	1623804	A1E7,A1E8,A2E4,A2E7,A2E8,A2E9,A2G7,N2E7,N2E9
			1	-	-	-	-	-	1187906	1623804 A1E,A2E,N2E,N2U
			-	1	-	-	-	-	-	A1E,A2E,A2G7,N1E,N2E,N2E3
	19610-ZM1-010ZC	*Y166R*.....WOLF YELLOW	1	1	-	-	-	-	-	N1W1,N1W8
	19610-ZM1-010ZD	*R280*.....POWER RED	1	-	-	-	-	-	1623805	A1E,A1E7,A1E8,A2E,A2E4,A2E7,A2E8,A2E9,A2G7,N2E,N2E7 N2E9,N2U
	19610-ZM0-000ZA	*R8*.....BRIGHT RED	-	1	-	-	-	-	1688157	A1E,A1E7,A1E8,A2E,A2E7,A2E8,A2E9,A2G7,A2G9,N1E,N1S,N1W N2E,N2E1,N2E3,N2E7,N2E8,N2E9
	19610-ZM0-000ZB	*NH1*.....BLACK	-	1	-	-	-	-	-	A1E,A1E7,A1E8,A1G9,A2E,A2E7,A2E8,A2E9,A2G4,A2G7,A2G9 A2R,A3G9,A4G4,A4G7,A4G9,N1E,N1S,N1S7,N1U,N1W,N1W7,N2E N2E1,N2E3,N2E7,N2E8,N2KA,N2KE,S2E2,S2E3,S3E9,S3G9,S4E4 S4E9,S4G4,S4G9
	19610-ZM0-800ZA	*NH1*.....BLACK	-	1	-	-	-	-	-	S2E,S2E1
	19610-ZM0-000ZC	*R280*.....POWER RED	-	1	-	-	-	-	-	A1G9,A2G4,A2R,A4G9,N1U,S2E2,S2E3,S3E9,S3G9,S4E4,S4E9 S4G4,S4G9
			-	1	-	-	-	-	1688158	A1E,A1E7,A1E8,A2E,A2E7,A2E8,A2E9,A2G7,A2G9,N1E,N1S,N1W N2E,N2E1,N2E3,N2E7,N2E8,N2E9
	19610-ZOL-000ZA	*NH1*.....BLACK	-	-	-	1	-	-	-	A1AE,A1AF,A1AS,A1C,A1E,A1E7,A1E8,A1M,A2C,A2E7,A2E8 A2E9,A2G7,A3E,A7E1,BHH1,NBL1,N1AF,N1C,N1E1,N1E7,N1L N1R,N1U,N1W7,N2E7,N2E8,N2E9,N2U,N3U,N3V,N5AF,N5C,N5MF N7A1,N7S1,S2G7,S3A2,S3H
	19610-ZOL-000ZB	*R8*.....BRIGHT RED	-	-	-	1	-	-	-	A1E7,A1E8,A2E7,A2E8,A2E9,A2G7,N2E7,N2E9,N3V
	19610-ZOL-000ZC	*T89*.....CRAFTSMAN RED	-	-	-	1	-	-	-	A1AE,BHH
	19610-ZOL-000ZD	*R280*.....POWER RED	-	-	-	1	-	-	-	A1E,A3E,BHH1,N1E1,N1R,N3U,N5R,S1M,S3H
	19610-ZOL-000ZE	*T90*.....EHP ORANGE	-	-	-	1	-	-	-	A3A

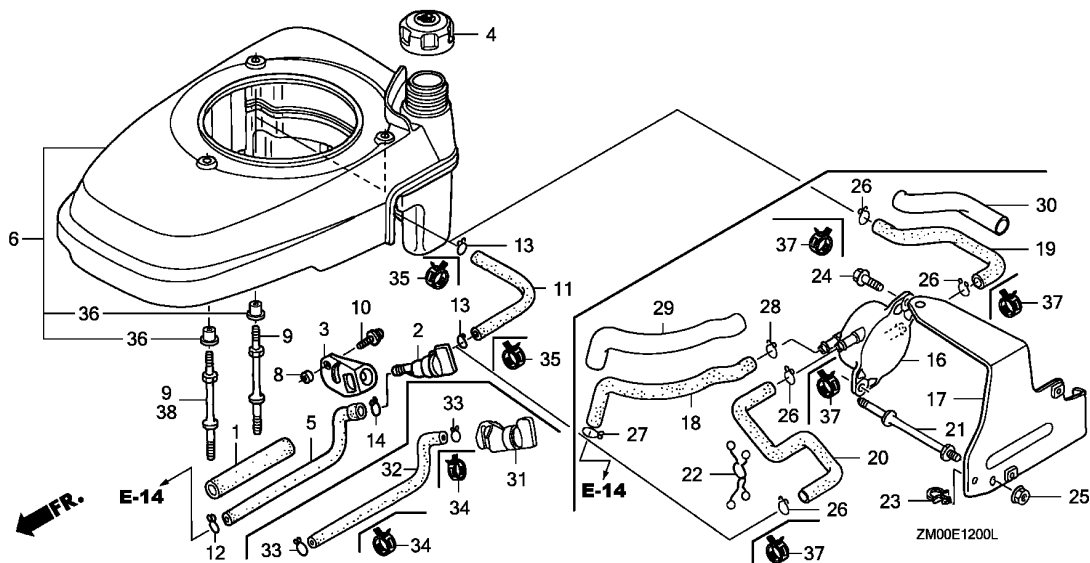




Ref. No.	Part No.	Description	Reqd. QTY						Serial No.	Parts catalogue code
			GCV 135	GCV 135 E	GCV 160	GCV 160 A	GCV 135 A	GCV 160 E		
(6)	19610-Z0L-000ZF	COVER COMP., FAN	-	-	-	1	-	-	-	
		T93.....HUSQVARNA GRAY	-	-	-	1	-	-	-----	BHH
	19610-Z0L-800ZA	*NH1*.....BLACK	-	-	-	1	-	-	-----	STA1,STL1,S1A,S1A1,S3A,S3H2
	19610-Z0L-800ZB	*R280*.....POWER RED	-	-	-	1	-	-	-----	S3A
	19610-Z0L-800ZC	*T89*.....CRAFTSMAN RED	-	-	-	1	-	-	-----	S3A
	19610-Z0L-800ZD	*T93*.....HUSQVARNA GRAY	-	-	-	1	-	-	-----	S3A
	19610-Z0L-820ZA	*NH1*.....BLACK	-	-	-	1	-	-	-----	C1E,C1E1,C2E,C2E1,C3E,C3E1,C4E,C4E1,EHHB,E1A2,E1A4 E1G7,E2G7,E5A4
	19610-Z0L-820ZB	*R280*.....POWER RED	-	-	-	1	-	-	-----	C1E,C2E,EHHB,E1A2,E1A4,E1G7,E2G7,E5A4
	19610-Z0L-820ZC	*T89*.....CRAFTSMAN RED	-	-	-	1	-	-	-----	C1E,C2E,E1G7,E2G7
	19610-Z0L-820ZD	*T90*.....EHP ORANGE	-	-	-	1	-	-	-----	C1E,C2E,E1G7,E2G7
	19610-Z0L-820ZE	*Y166R*.....WOLF YELLOW	-	-	-	1	-	-	-----	C1E,C2E,E1G7,E2G7
	19610-Z0L-830ZA	*NH1*.....BLACK	-	-	-	1	-	-	-----	RTL1,R1A,R3A,R3A1
	19610-Z0L-830ZB	*R280*.....POWER RED	-	-	-	1	-	-	-----	R1A,R3A
	19610-Z0L-830ZC	*T89*.....CRAFTSMAN RED	-	-	-	1	-	-	-----	R1A,R3A
	19610-Z0L-830ZD	*T90*.....EHP ORANGE	-	-	-	1	-	-	-----	R1A,R3A
	19610-Z0L-830ZE	*Y166R*.....WOLF YELLOW	-	-	-	1	-	-	-----	R1A,R3A
	19610-Z0M-J10ZC	*NH1*.....BLACK	-	-	-	-	-	1	-----	A1P
	19610-Z0M-J10ZD	*R280 1*.....POWER RED	-	-	-	-	-	1	-----	A1P
	19610-Z1L-000ZA	*NH1*.....BLACK	-	-	-	-	-	1	-----	A1G9,A2A9,A2G4,A2R,A3E9,A3G9,A3T9,A3W8,A4G4,A4G7,A4G9 N1D,N1E1,N1E2,N1J1,N1R,N1T8,N1T9,N3T8,N3T9,N3W8,N3W9 S2E2,S2E3,S3E9,S3G9,S4E4,S4E9,S4G4,S4G9
			-	-	-	-	-	1	1215356	----- A1E7,A1E8,A1G7,A1W7,A2E7,A2E8,A2E9,A2G7,A2G9,A3E7,A7E1 N1E7,N1W7,N1W8,N1W9,N2E7,N2E8,N2E9,N7A1
	19610-Z1L-000ZB	*R280*.....POWER RED	-	-	-	-	-	1	-----	A1G9,A2G4,A2R,A4G9,N1D,N1E1,N1E2,N1J1,N1R,S2E2,S2E3 S3E9,S3G9,S4E4,S4E9,S4G4,S4G9
			-	-	-	-	-	1	1215356	----- A1E7,A1E8,A2E7,A2E8,A2E9,A2G7,N1E7,N1W7,N2E7,N2E8,N2E9

Ref. No.	Part No.	Description	Reqd. QTY						Serial No.	Parts catalogue code
			GCV 135	GCV 135 E	GCV 160	GCV 160 A	GCV 135 A	GCV 160 E		
(6)	19610-Z1L-000ZC	COVER COMP., FAN *Y166R*.....WOLF YELLOW	-	-	-	-	-	1	-----	A3W7, A3W8, N3W8, N3W9
			-	-	-	-	-	1	1215356	A1W7, N1W7, N1W8, N1W9
	19610-Z1L-800ZA	*NH1*.....BLACK	-	-	-	-	-	1	-----	S1E1, S2E, S2E1
	19610-Z1L-800ZB	*R8*.....BRIGHT RED	-	-	-	-	-	1	-----	S2E, S2E1
8	33609-GK4-620	COLLAR, FR. WINKER	1	1	1	-	1	1	-----	A1A, A1AS, A1C, A1E, A1E7, A1E8, A1M, A1W7, A2A, A2C, A2E7, A2E8, A2E9, A2G7, A2R, A3E, A7E1, BHH, BHH1, EHHB, E1G7, E2G7, NBL1, N1A, N1C, N1E1, N1E7, N1L, N1R, N1U, N1W7, N1W8, N1W9, N2E7, N2E8, N2E9, N2U, N3U, N3V, N5A, N5C, N7A1, N7S1, S2G7
	91501-Z0L-800	COLLAR, FUEL COCK	-	-	-	1	-	-	-----	A1AE, A1AF, A3A, C1E, C1E1, C2E, C2E1, C3E, C3E1, C4E, C4E1, E1A2, E1A4, E5A4, N1AF, N5AF, N5MF, N5R, RTL1, R1A, R3A, R3A1, STA1, STL1, S1A, S1A1, S1M, S3A, S3A2, S3H, S3H2
9	90041-ZL9-000	BOLT, STUD (H=35.5MM)	3	3	-	-	-	-	-----	A1A, A1C, A1D, A1E, A1E1, A1E7, A1E8, A1G9, A1J, A1U, A2A, A2C, A2D, A2E, A2E1, A2E4, A2E7, A2E8, A2E9, A2G4, A2G7, A2G9, A2R, A2U, A3E, A3G9, A4E, A4G4, A4G7, A4G9, A7E1, N1D, N1E, N1E1, N1S, N1S7, N1U, N1W, N1W1, N1W7, N1W8, N2D, N2E, N2E1, N2E2, N2E3, N2E7, N2E8, N2E9, N2KA, N2KE, N2U, N7E1, N7E2, S2E, S2E1, S2E2, S2E3, S3E9, S3G9, S4E4, S4E9, S4G4, S4G9
	90043-ZL8-000	BOLT, STUD (H=42.5MM)	3	3	-	3	-	-	-----	A1AE, A1AF, A1AS, A1M, A1W7, A2G, A3A, BHH, BHH1, EHHB, E1A2, E1A4, E1G7, E2G7, E5A4, NBL1, N1A, N1AF, N1C, N1E7, N1G, N1L, N1R, N1W9, N3U, N3V, N5A, N5AF, N5C, N5MF, N5R, N7A1, N7S1, RTL1, R1A, R3A, R3A1, STA1, STL1, S1A, S1A1, S1M, S2G7, S3A, S3A2, S3H, S3H2
			-	-	3	-	-	3	-----	C1E, C1E1, C2E, C2E1, C3E, C3E1, C4E, C4E1
			-	-	-	2	-	-	-----	A1A, A1C, A1E, A1E7, A1E8, A2A, A2C, A2E7, A2E8, A2E9, A2G7, A2R, A3E, A7E1, N1E1, N1U, N1W7, N1W8, N2E7, N2E8, N2E9, N2U
			-	-	-	3	-	-	-----	
10	93891-05010-08	SCREW-WASHER, 5X10	1	1	1	1	1	1		
11	95001-55135-40	TUBE, FUEL, 5.3X135 (95001-55001-60M)	1	1	-	-	-	-	-----	A1A, A1C, A1D, A1E, A1E1, A1E7, A1E8, A1G9, A1J, A1U, A2A, A2C, A2D, A2E, A2E1, A2E4, A2E7, A2E8, A2E9, A2G, A2G4, A2G7, A2G9, A2U, A3E, A3G9, A4E, A4G4, A4G7, A4G9, N1D, N1E, N1E1, N1G, N1S, N1S7, N1U, N1W, N1W1, N1W7, N1W8, N2D, N2E, N2E1, N2E2, N2E3, N2E7, N2E8, N2E9, N2KE, N2U, S2E, S2E1, S2E2, S2E3, S3E9, S3G9, S4E4, S4E9, S4G4, S4G9
			1	-	-	-	-	-	-----	A2R
			-	1	-	-	-	-	2363395	A2R, N2KA
			-	-	-	-	1	-	-----	
	17701-Z0L-000	TUBE, FUEL TANK	-	-	-	1	-	-	2510374	A1A, A1AE, A1AF, A1AS, A1C, A1E7, A1E8, A1W7, A2A, A2C, A2E7, A2E8, A2E9, A2G7, A2R, A3A, BHH, N1A, N1AF, N1C, N1E7, N1U, N1W7, N1W8, N1W9, N2E7, N2E8, N2E9, N2U, N3V, N5A, N5AF, N5C, STA1, S1A, S1A1, S3A
	91425-Z0M-801	TUBE, FUEL, 5.3X135(FKM)	-	1	-	-	-	-	2363396	A2R, N2KA

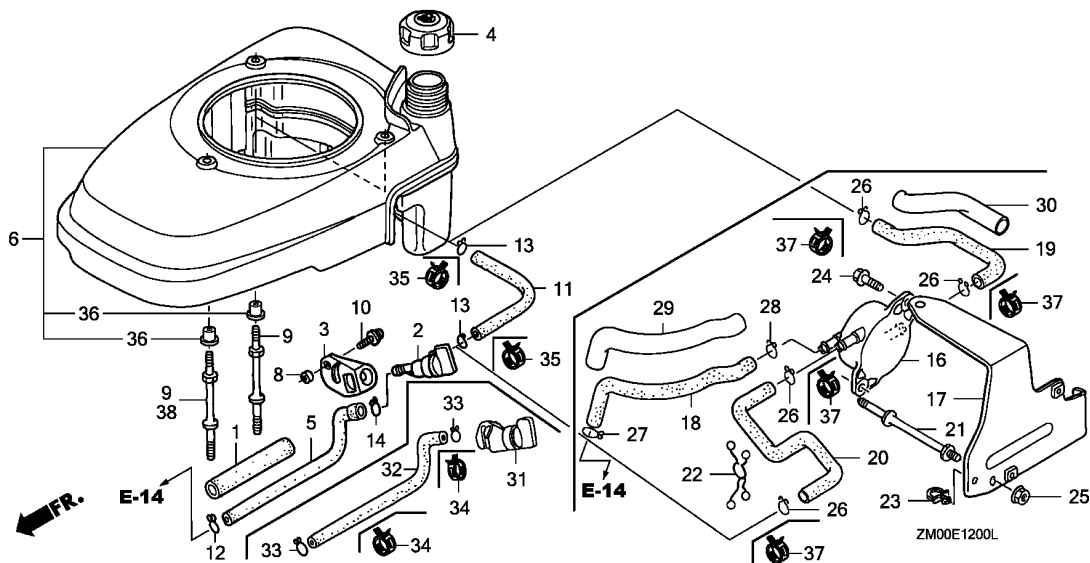




Ref. No.	Part No.	Description	Reqd. QTY					Serial No.	Parts catalogue code		
			GCV 135	GCV 135 E	GCV 160	GCV 160 A	GCV 135 A			GCV 160 E	
11)	95001-55150-40	TUBE, FUEL, 5.3X150 (95001-55001-60M)	-	-	1	1	-	1	-----	A1E,A1G7,A1M,A1P,A3E,C1E,C1E1,C2E,C2E1,C3E,C3E1,C4E C4E1,EHBB,E1A2,E1A4,E1G7,E2G7,E5A4,N1D,N1E1,N1E2,N1J1 N1L,N1R,N3U,S2G7,S3H2	
			-	-	1	-	-	1	-----	A1A,A1C,A1E7,A1E8,A1G9,A1J,A1U,A1W2,A1W7,A2A,A2A9,A2C A2E,A2E4,A2E7,A2E8,A2E9,A2G4,A2G7,A2G9,A2R,A2U,A3E7 A3E9,A3G9,A3T9,A3W7,A3W8,A4E,A4G4,A4G7,A4G9,N1,N1E7 N1T8,N1T9,N1U,N1W,N1W1,N1W2,N1W7,N1W8,N1W9,N2,N2D,N2E N2E1,N2E2,N2E3,N2E7,N2E8,N2E9,N2U,N3T8,N3T9,N3V,N3W8 N3W9,S1E1,S2E,S2E1,S2E2,S2E3,S3E9,S3G9,S4E4,S4E9,S4G4 S4G9	
			-	-	-	1	-	-	2510375	-----	A1E7,A1E8,A1W7,A2E7,A2E8,A2E9,A2G7,N1E7,N1U,N1W7,N1W8 N1W9,N2E7,N2E8,N2E9,N2U,N3V
			-	-	-	1	-	-	3698326	-----	NBL1
			-	-	-	1	-	-	4030139	-----	RTL1,STL1
			-	-	-	1	-	-	4803407	-----	S3A2,S3H
			-	-	-	1	-	-	8020871	-----	R1A,R3A,R3A1
			-	-	-	1	-	-	2510375	-----	3698326 A1A,A1AS,A1C,A2A,A2C,A2R,BHH,N1A,N1C,N5A,N5C
			-	-	-	1	-	-	2510375	-----	4030139 STA1,S1A,S1A1,S3A
			-	-	-	1	-	-	2510375	-----	4062255 A1AE,A1AF,A3A,N1AF,N5AF
91425-ZOL-801	TUBE, FUEL, 5.3X150(FKM)		-	-	-	1	-	-	-----	BHH1,N5MF,N5R,S1M	
			-	-	-	1	-	-	3698327	-----	A1A,A1AS,A1C,A2A,A2C,A2R,BHH,NBL1,N1A,N1C,N5A,N5C
			-	-	-	1	-	-	4030140	-----	RTL1,STA1,STL1,S1A,S1A1,S3A
			-	-	-	1	-	-	4062256	-----	A1AE,A1AF,A3A,N1AF,N5AF
			-	-	-	1	-	-	4803408	-----	S3A2,S3H
			-	-	-	1	-	-	8020872	-----	R1A,R3A,R3A1

Ref. No.	Part No.	Description	Reqd. QTY						Serial No.	Parts catalogue code
			GCV 135	GCV 135 E	GCV 160	GCV 160 A	GCV 135 A	GCV 160 E		
12	95002-02080	CLIP, TUBE (B8)	1	1	1	-	-	-	-----	A1D,A1E1,A1G9,A1J,A1U,A2D,A2E1,A2U,A4E,N2D,N2E2
			1	-	-	-	-	-	-----	A3E,N1E,N1E1,N2E3
			1	-	-	-	-	-	-----	1623712 A1A,A1C,A1E,A1E7,A1E8,A2A,A2C,A2E,A2E4,A2E7,A2E8,A2E9 A2G,A2G7,A2R,A7E1,N1D,N1G,N1S,N1S7,N1U,N1W,N1W1,N1W7 N1W8,N2E,N2E1,N2E7,N2E8,N2E9,N2U,N7E1,N7E2
			-	1	-	-	-	-	-----	A2G,N1G
			-	1	-	-	-	-	-----	1694818 A1E,A1E7,A1E8,A2E,A2E7,A2E8,A2E9,A2G7,A2G9,A7E1,N1E N1S,N1S7,N1W,N1W7,N1W8,N2E,N2E1,N2E3,N2E7,N2E8,N2E9 N7E1,N7E2,S2E,S2E1
			-	-	1	-	-	-	-----	2439088 A1A,A1C,A1E,A1E7,A1E8,A1G7,A1P,A1W2,A1W7,A2A,A2C,A2E A2E4,A2E7,A2E8,A2E9,A2G7,A2R,A3E,A7E1,N1,N1D,N1E1,N1E2 N1E7,N1R,N1U,N1W,N1W1,N1W2,N1W7,N1W8,N1W9,N2,N2E,N2E1 N2E3,N2E7,N2E8,N2E9,N2U,N3U,N3V,N7A1
			-	-	-	1	-	-	-----	2510374 A1A,A1AE,A1AF,A1AS,A1C,A1E7,A1E8,A1W7,A2A,A2C,A2E7 A2E8,A2E9,A2G7,A2R,A3A,A7E1,BHH,N1A,N1AF,N1C,N1E7,N1U N1W7,N1W8,N1W9,N2E7,N2E8,N2E9,N2U,N3V,N5A,N5AF,N5C N7A1,STA1,S1A,S1A1,S3A
			-	-	-	-	1	-	-----	1197181 A1E7,A1E8,A1G7,A1W7,A2E7,A2E8,A2E9,A2G7,A2G9,A7E1,N1E7 N1W7,N1W8,N1W9,N2E7,N2E8,N2E9,N7A1,S2E,S2E1
			-	-	-	-	-	1	-----	A1E,A1E7,A1E8,A1M,A1W7,A2E7,A2E8,A2E9,A2G7,A3E,C1E C1E1,C2E,C2E1,C3E,C3E1,C4E,C4E1,EHHB,E1A2,E1A4,E1G7 E2G7,E5A4,N1E1,N1E7,N1L,N1R,N1U,N1W7,N1W8,N1W9,N2E7 N2E8,N2E9,N2U,N3U,N3V,S2G7,S3H2
			-	-	-	-	-	2	-----	A1A,A1C,A1D,A1E1,A1G7,A1G9,A1J,A1P,A1U,A1W2,A2A,A2A9 A2C,A2D,A2E,A2E1,A2E4,A2G,A2G4,A2G9,A2U,A3E7,A3E9,A3G9 A3T9,A3W7,A3W8,A4E,A4G4,A4G7,A4G9,N1,N1D,N1E,N1E2,N1G N1J1,N1S,N1S7,N1T8,N1T9,N1W,N1W1,N1W2,N2,N2D,N2E,N2E1 N2E2,N2E3,N2KE,N3T8,N3T9,N3W8,N3W9,S1E1,S2E,S2E1,S2E2 S2E3,S3E9,S3G9,S4E4,S4E9,S4G4,S4G9
13	95002-02100	CLIP, TUBE (B10)	2	2	2	2	-	2	-----	A2R
			-	2	-	-	-	-	-----	2363395 A2R,N2KA
			-	-	-	2	-	-	-----	3698326 A1A,A1AS,A1C,A2A,A2C,A2R,BHH,NBL1,N1A,N1C,N5A,N5C
			-	-	-	2	-	-	-----	4030139 RTL1,STA1,STL1,S1A,S1A1,S3A
			-	-	-	2	-	-	-----	4062255 A1AE,A1AF,A3A,N1AF,N5AF
			-	-	-	2	-	-	-----	4803407 S3A2,S3H
			-	-	-	2	-	-	-----	8020871 R1A,R3A,R3A1
			-	-	-	-	2	-	-----	S2E2,S2E3,S3E9,S3G9,S4E4,S4E9,S4G4,S4G9
			-	2	-	-	-	-	-----	
			-	-	-	-	-	-	-----	

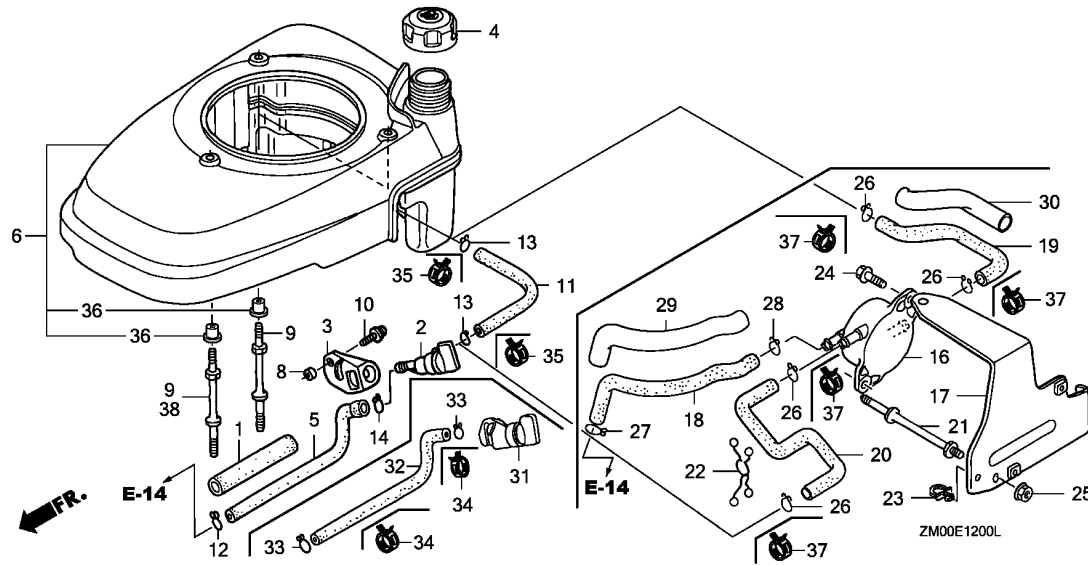




Ref. No.	Part No.	Description	Reqd. QTY						Serial No.	Parts catalogue code
			GCV 135 E	GCV 135	GCV 160	GCV 160 A	GCV 135 A	GCV 160 E		
14	95002-50000	CLIP, TUBE (C9)	1	1	1	-	-	-	-	A1D,A1E1,A1G9,A1J,A1U,A2D,A2E1,A2U,A4E,N2D,N2E2 A3E,N1E,N1E1,N2E3 1623712 A1A,A1C,A1E,A1E7,A1E8,A2A,A2C,A2E,A2E4,A2E7,A2E8,A2E9 A2G,A2G7,A2R,A7E1,N1D,N1G,N1S,N1S7,N1U,N1W,N1W1,N1W7 N1W8,N2E,N2E1,N2E7,N2E8,N2E9,N2U,N7E1,N7E2 A2G,N1G 1694818 A1E,A1E7,A1E8,A2E,A2E7,A2E8,A2E9,A2G7,A2G9,A7E1,N1E N1S,N1S7,N1W,N1W7,N1W8,N2E,N2E1,N2E3,N2E7,N2E8,N2E9 N7E1,N7E2,S2E,S2E1 2439088 A1A,A1C,A1E,A1E7,A1E8,A1G7,A1P,A1W2,A1W7,A2A,A2C,A2E A2E4,A2E7,A2E8,A2E9,A2G7,A2R,A3E,A7E1,N1,N1D,N1E1,N1E2 N1E7,N1R,N1U,N1W,N1W1,N1W2,N1W7,N1W8,N1W9,N2,N2E,N2E1 N2E3,N2E7,N2E8,N2E9,N2U,N3U,N3V,N7A1 2510374 A1A,A1AE,A1AF,A1AS,A1C,A1E7,A1E8,A1W7,A2A,A2C,A2E7 A2E8,A2E9,A2G7,A2R,A3A,A7E1,BHH,N1A,N1AF,N1C,N1E7,N1U N1W7,N1W8,N1W9,N2E7,N2E8,N2E9,N2U,N3V,N5A,N5AF,N5C N7A1,STA1,S1A,S1A1,S3A 1197181 A1E7,A1E8,A1G7,A1W7,A2E7,A2E8,A2E9,A2G7,A2G9,A7E1,N1E7 N1W7,N1W8,N1W9,N2E7,N2E8,N2E9,N7A1,S2E,S2E1 A7E1,N7A1,N7E1,N7E2,N7S1 A7E1,N7E1,N7E2 A7E1,N7A1,N7S1 A7E1,N7E1,N7E2 A7E1,N7A1,N7S1 A7E1,N7E1,N7E2,N7S1 N7A1 4029852 N7A1 4029853 N7A1
16	16700-ZOM-782	PUMP ASSY., FUEL	1	1	1	1	-	1	-	
17	16711-ZOM-780	STAY, FUEL PUMP	1	1	-	-	-	-	-	
	16711-ZOL-780		-	-	1	1	-	1	-	
18	16882-ZOM-780	TUBE, DIAPHRAGM	1	1	-	-	-	-	-	
	16882-ZOL-780		-	-	1	1	-	1	-	
19	17701-ZOM-780	TUBE, FUEL TANK	1	1	1	1	-	1	-	
	17701-ZOL-771	TUBE, FUEL TANK (FKM)	-	-	-	1	-	-	-	

Ref. No.	Part No.	Description	Reqd. QTY						Serial No.	Parts catalogue code
			GCV 135	GCV 135 E	GCV 160	GCV 160 A	GCV 135 A	GCV 160 E		
20	17703-ZOM-780	TUBE B, FUEL	1	1	-	-	-	-	-----	A7E1,N7E1,N7E2
	17703-ZOL-780	-	-	1	-	-	1	-----	A7E1,N7A1
	17703-ZOL-790	-	-	-	1	-	-	-----	2642930 A7E1,N7A1
			-	-	-	1	-	-	-----	N7S1
			-	-	-	1	-	-	-----	2642931 A7E1
			-	-	-	1	-	-	-----	2642931 4029852 N7A1
	17703-ZOL-771	TUBE B, FUEL (FKM)	-	-	-	1	-	-	-----	4029853 N7A1
21	90041-ZOM-780	BOLT, STUD	1	1	1	1	-	1	-----	A7E1,N7A1,N7E1,N7E2,N7S1
22	90601-ZOM-003	CLIP, PURSE LOCK	1	1	1	1	-	1	-----	A7E1,N7A1,N7E1,N7E2,N7S1
23	90659-680-013	CLIP, WIRE HARNESS	1	1	1	1	-	1	-----	A7E1,N7A1,N7E1,N7E2,N7S1
24	93894-05014-00	SCREW-WASHER, 5X14	2	2	2	2	-	2	-----	A7E1,N7A1,N7E1,N7E2,N7S1
25	94050-06000	NUT, FLANGE, 6MM	1	1	1	1	-	1	-----	A7E1,N7A1,N7E1,N7E2,N7S1
26	95002-02100	CLIP, TUBE (B10)	4	4	4	4	-	4	-----	A7E1,N7E1,N7E2,N7S1
			-	-	4	-	-	4	-----	N7A1
			-	-	-	4	-	-	-----	4029852 N7A1
27	95002-45000	CLIP, TUBE (C8)	1	1	1	1	-	1	-----	A7E1,N7A1,N7E1,N7E2,N7S1
28	95002-50000	CLIP, TUBE (C9)	1	1	1	1	-	1	-----	A7E1,N7A1,N7E1,N7E2,N7S1
29	95003-25021-20	TUBE, VINYL, 9X11X210 (95003-25001-10M)	1	1	1	1	-	1	-----	A7E1,N7A1,N7E1,N7E2,N7S1
30	95003-36010-20	TUBE, VINYL, 11X13X100 (95003-36001-10M)	1	1	1	1	-	1	-----	A7E1,N7A1,N7E1,N7E2,N7S1
31	16950-ZM0-003	COCK ASSY., FUEL	1	-	-	-	-	-	-----	1623713 A1A,A1C,A1E,A1E7,A1E8,A2A,A2C,A2E,A2E4,A2E7,A2E8,A2E9 A2G,A2G7,A2R,A7E1,N1D,N1G,N1S,N1S7,N1U,N1W,N1W1,N1W7 N1W8,N2E,N2E1,N2E7,N2E8,N2E9,N2U,N7E1,N7E2 A2G4,A3G9,A4G4,A4G7,A4G9,N1E1,N1R,N2KA,N2KE,S2E2,S2E3 S3E9,S3G9,S4E4,S4E9,S4G4,S4G9 A2R,N1U 1694819 A1E,A1E7,A1E8,A2E,A2E7,A2E8,A2E9,A2G7,A2G9,A7E1,N1E N1S,N1S7,N1W,N1W7,N1W8,N2E,N2E1,N2E3,N2E7,N2E8,N2E9 N7E1,N7E2,S2E,S2E1 N1J1 2439089 A1A,A1C,A1E,A1E7,A1E8,A1G7,A1P,A1W2,A1W7,A2A,A2C,A2E A2E4,A2E7,A2E8,A2E9,A2G7,A2R,A3E,A7E1,N1,N1D,N1E1,N1E2 N1E7,N1R,N1U,N1W,N1W1,N1W2,N1W7,N1W8,N1W9,N2,N2E,N2E1 N2E3,N2E7,N2E8,N2E9,N2U,N3U,N3V,N7A1 A1E,A1G9,A1M,A1P,A2A9,A3E,A3E7,A3E9,A3T9,A3W7,A3W8 BHH1,C1E,C1E1,C2E,C2E1,C3E,C3E1,C4E,C4E1,EHHB,E1A2 E1A4,E1G7,E2G7,E5A4,NBL1,N1D,N1E2,N1L,N1T8,N1T9,N3T8 N3T9,N3U,N3W8,N3W9,N5MF,N5R,N7S1,RTL1,R1A,R3A,R3A1 STL1,S1E1,S1M,S2G7,S3A2,S3H,S3H2 2510375 A1A,A1AE,A1AF,A1AS,A1C,A1E7,A1E8,A1W7,A2A,A2C,A2E7 A2E8,A2E9,A2G7,A2R,A3A,A7E1,BHH,N1A,N1AF,N1C,N1E7,N1U N1W7,N1W8,N1W9,N2E7,N2E8,N2E9,N2U,N3V,N5A,N5AF,N5C N7A1,STA1,S1A,S1A1,S3A 1197182 A1E7,A1E8,A1G7,A1W7,A2E7,A2E8,A2E9,A2G7,A2G9,A7E1,N1E7 N1W7,N1W8,N1W9,N2E7,N2E8,N2E9,N7A1,S2E,S2E1

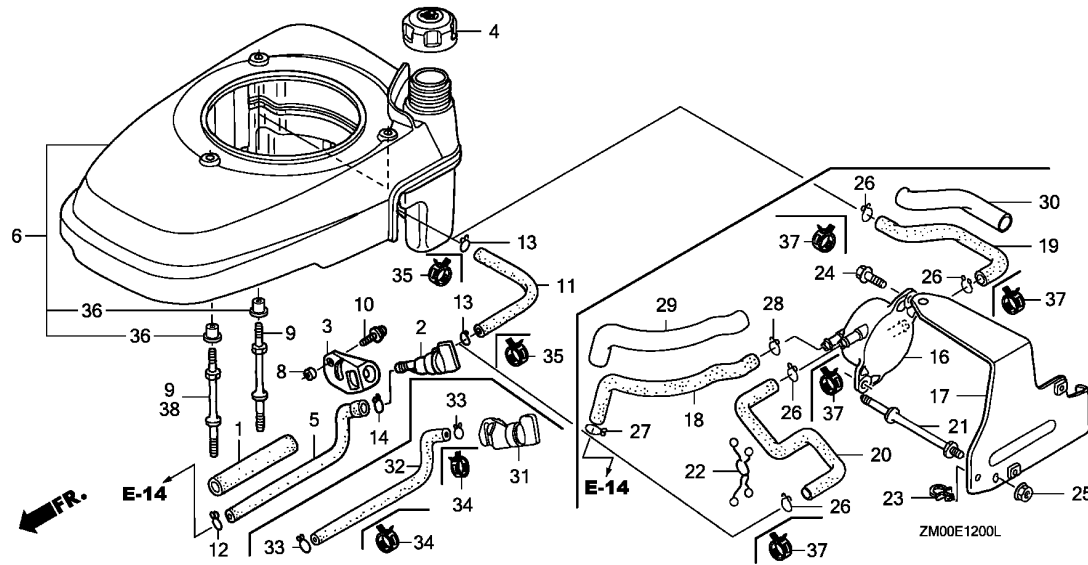




Ref. No.	Part No.	Description	Reqd. QTY						Serial No.	Parts catalogue code
			GCV 135	GCV 135 E	GCV 160	GCV 160 A	GCV 135 A	GCV 160 E		
32	17702-ZM0-800	TUBE, FUEL	1	-	-	-	-	1623713 -----	A1A,A1C,A1E,A1E7,A1E8,A2A,A2C,A2E,A2E4,A2E7,A2E8,A2E9 A2G,A2G7,A2R,A7E1,N1D,N1G,N1S,N1S7,N1U,N1W,N1W1,N1W7 N1W8,N2E,N2E1,N2E7,N2E8,N2E9,N2U,N7E1,N7E2	

Ref. No.	Part No.	Description	Reqd. QTY						Serial No.	Parts catalogue code
			GCV 135	GCV 135 E	GCV 160	GCV 160 A	GCV 135 A	GCV 160 E		
32)	17702-ZM0-800	TUBE, FUEL	-	1	-	1	-	1	-----	A2G4, A3G9, A4G4, A4G7, A4G9, N1E1, N1R, N2KE, S2E2, S2E3, S3E9, S3G9, S4E4, S4E9, S4G4, S4G9
			-	1	-	-	-	-	-----	N1U
			-	1	-	-	-	-	1694819	A1E, A1E7, A1E8, A2E, A2E7, A2E8, A2E9, A2G7, A2G9, A7E1, N1E, N1S, N1S7, N1W, N1W7, N1W8, N2E, N2E1, N2E3, N2E7, N2E8, N2E9, N7E1, N7E2, S2E, S2E1
			-	1	-	-	-	-	2363395	A2R, N2KA
			-	-	1	-	-	1	-----	N1J1
			-	-	1	-	-	-	2439089	A1A, A1C, A1E, A1E7, A1E8, A1G7, A1P, A1W2, A1W7, A2A, A2C, A2E, A2E4, A2E7, A2E8, A2E9, A2G7, A2R, A3E, A7E1, N1, N1D, N1E1, N1E2, N1E7, N1R, N1U, N1W, N1W1, N1W2, N1W7, N1W8, N1W9, N2, N2E, N2E1, N2E3, N2E7, N2E8, N2E9, N2U, N3U, N3V, N7A1
			-	-	-	1	-	1	-----	A1E, A1G9, A1M, A1P, A3E, A3E7, A3E9, A3T9, A3W7, A3W8, C1E, C1E1, C2E, C2E1, C3E, C3E1, C4E, C4E1, EHHB, E1A2, E1A4, E1G7, E2G7, E5A4, N1D, N1E2, N1L, N1T8, N1T9, N3T8, N3T9, N3U, N3W8, N3W9, N7S1, S1E1, S2G7, S3H2
			-	-	-	1	-	-	2510375	A1E7, A1E8, A1W7, A2E7, A2E8, A2E9, A2G7, A7E1, N1E7, N1U, N1W7, N1W8, N1W9, N2E7, N2E8, N2E9, N2U, N3V
			-	-	-	1	-	-	3698326	NBL1
			-	-	-	1	-	-	4030139	RTL1, STL1
			-	-	-	1	-	-	4803407	S3A2, S3H
			-	-	-	1	-	-	8020871	R1A, R3A, R3A1
			-	-	-	1	-	-	2510375	3698326 A1A, A1AS, A1C, A2A, A2C, A2R, BHH, N1A, N1C, N5A, N5C
			-	-	-	1	-	-	2510375	4029852 N7A1
			-	-	-	1	-	-	4030139	STA1, S1A, S1A1, S3A
			-	-	-	1	-	-	2510375	4062255 A1AE, A1AF, A3A, N1AF, N5AF
			-	-	-	-	-	1	1197182	A1E7, A1E8, A1G7, A1W7, A2E7, A2E8, A2E9, A2G7, A2G9, A7E1, N1E7, N1W7, N1W8, N1W9, N2E7, N2E8, N2E9, S2E, S2E1
			-	-	-	-	-	1	1762462	A2A9, A2R
			-	-	-	-	-	1	1197182	N7A1
	17702-Z0L-801	TUBE, FUEL (FKM)	-	1	-	-	-	-	2363396	A2R, N2KA
			-	-	-	1	-	-	-----	BHH1, N5MF, N5R, S1M
			-	-	-	1	-	-	3698327	A1A, A1AS, A1C, A2A, A2C, A2R, BHH, NBL1, N1A, N1C, N5A, N5C
			-	-	-	1	-	-	4029853	N7A1
			-	-	-	1	-	-	4030140	RTL1, STA1, STL1, S1A, S1A1, S3A
			-	-	-	1	-	-	4062256	A1AE, A1AF, A3A, N1AF, N5AF
			-	-	-	1	-	-	4803408	S3A2, S3H
			-	-	-	1	-	-	8020872	R1A, R3A, R3A1
			-	-	-	-	-	1	1762463	A2A9, A2R, N7A1

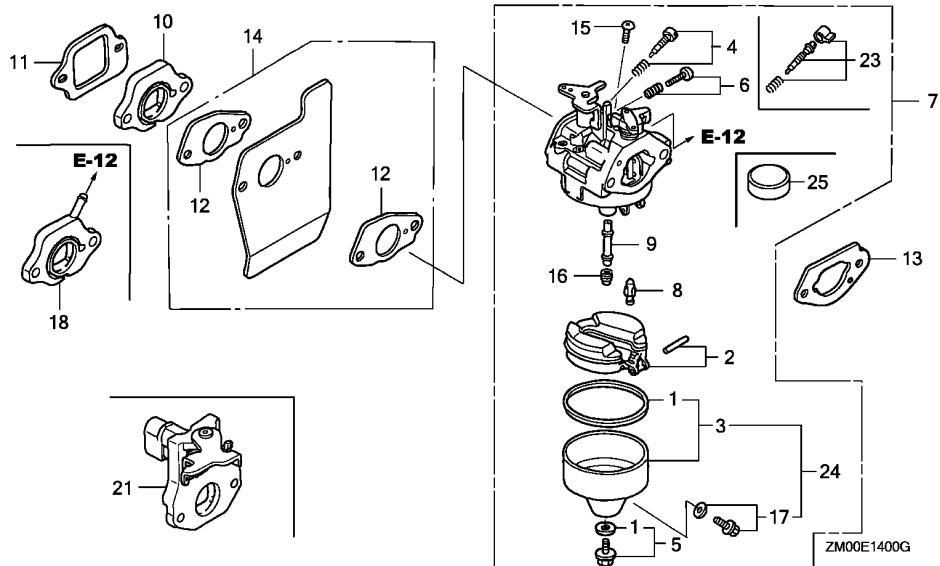




Ref. No.	Part No.	Description	Reqd. QTY						Serial No.	Parts catalogue code
			GCV 135	GCV 135 E	GCV 160	GCV 160 A	GCV 135 A	GCV 160 E		
33	95002-02080	CLIP, TUBE (B8)	2	-	-	-	-	-	1623713 -----	A1A,A1C,A1E,A1E7,A1E8,A2A,A2C,A2E,A2E4,A2E7,A2E8,A2E9 A2G,A2G7,A2R,A7E1,N1D,N1G,N1S,N1S7,N1U,N1W,N1W1,N1W7 N1W8,N2E,N2E1,N2E7,N2E8,N2E9,N2U,N7E1,N7E2

Ref. No.	Part No.	Description	Reqd. QTY						Serial No.	Parts catalogue code	
			GCV 135	GCV 135 E	GCV 160	GCV 160 A	GCV 135 A	GCV 160 E			
33)	95002-02080	CLIP, TUBE (B8)	-	2	-	2	-	2	-----	A2G4,A3G9,A4G4,A4G7,A4G9,N1E1,N1R,N2KE,S2E2,S2E3,S3E9,S3G9,S4E4,S4E9,S4G4,S4G9	
			-	2	-	-	-	-	-----	N1U	
			-	2	-	-	-	-	1694819	-----	A1E,A1E7,A1E8,A2E,A2E7,A2E8,A2E9,A2G7,A2G9,A7E1,N1E,N1S,N1S7,N1W,N1W7,N1W8,N2E,N2E1,N2E3,N2E7,N2E8,N2E9,N7E1,N7E2,S2E,S2E1
			-	2	-	-	-	-	2363395	-----	A2R,N2KA
			-	-	2	-	-	2	-----	N1J1	
			-	-	2	-	-	-	2439089	-----	A1A,A1C,A1E,A1E7,A1E8,A1G7,A1P,A1W2,A1W7,A2A,A2C,A2E,A2E4,A2E7,A2E8,A2E9,A2G7,A2R,A3E,A7E1,N1,N1D,N1E1,N1E2,N1E7,N1R,N1U,N1W,N1W1,N1W2,N1W7,N1W8,N1W9,N2,N2E,N2E1,N2E3,N2E7,N2E8,N2E9,N2U,N3U,N3V,N7A1
			-	-	-	2	-	2	-----	A1E,A1G9,A1M,A1P,A3E,A3E7,A3E9,A3T9,A3W7,A3W8,C1E,C1E1,C2E,C2E1,C3E,C3E1,C4E,C4E1,EHBB,E1A2,E1A4,E1G7,E2G7,E5A4,N1D,N1E2,N1L,N1T8,N1T9,N3T8,N3T9,N3U,N3W8,N3W9,N7S1,S1E1,S2G7,S3H2	
			-	-	-	2	-	-	2510375	-----	A1E7,A1E8,A1W7,A2E7,A2E8,A2E9,A2G7,A7E1,N1E7,N1U,N1W7,N1W8,N1W9,N2E7,N2E8,N2E9,N2U,N3V
			-	-	-	2	-	-	3698326	-----	NBL1
			-	-	-	2	-	-	4030139	-----	RTL1,STL1
			-	-	-	2	-	-	4803407	-----	S3A2,S3H
			-	-	-	2	-	-	8020871	-----	R1A,R3A,R3A1
			-	-	-	2	-	-	2510375	-----	3698326 A1A,A1AS,A1C,A2A,A2C,A2R,BHH,N1A,N1C,N5A,N5C
			-	-	-	2	-	-	2510375	-----	4029852 N7A1
			-	-	-	2	-	-	4030139	-----	STA1,S1A,S1A1,S3A
			-	-	-	2	-	-	2510375	-----	4062255 A1AE,A1AF,A3A,N1AF,N5AF
			-	-	-	-	-	2	1197182	-----	A1E7,A1E8,A1G7,A1W7,A2E7,A2E8,A2E9,A2G7,A2G9,A7E1,N1E7,N1W7,N1W8,N1W9,N2E7,N2E8,N2E9,S2E,S2E1
			-	-	-	-	-	2	1762462	-----	A2A9,A2R
			-	-	-	-	-	2	1197182	-----	N7A1
			34	95002-40800-08	CLAMP, TUBE (D8)	-	2	-	-	-	-
-	2	-				-	-	-	2363396	-----	A2R,N2KA
-	-	-				2	-	-	-----	BHH1,N5MF,N5R,S1M	
-	-	-				2	-	-	3698327	-----	A1A,A1AS,A1C,A2A,A2C,A2R,BHH,NBL1,N1A,N1C,N5A,N5C
-	-	-				2	-	-	4029853	-----	N7A1
-	-	-				2	-	-	4030140	-----	RTL1,STA1,STL1,S1A,S1A1,S3A
-	-	-				2	-	-	4062256	-----	A1AE,A1AF,A3A,N1AF,N5AF
-	-	-				2	-	-	4803408	-----	S3A2,S3H
-	-	-				2	-	-	8020872	-----	R1A,R3A,R3A1
-	-	-				-	-	2	1762463	-----	A2A9,A2R,N7A1
35	95002-41000-08	CLAMP, TUBE (D10)	-	2	-	-	-	-	2363396	-----	A2R,N2KA
			-	-	-	2	-	-	-----	BHH1,N5MF,N5R,S1M	
			-	-	-	2	-	-	3698327	-----	A1A,A1AS,A1C,A2A,A2C,A2R,BHH,NBL1,N1A,N1C,N5A,N5C
			-	-	-	2	-	-	4030140	-----	RTL1,STA1,STL1,S1A,S1A1,S3A
			-	-	-	2	-	-	4062256	-----	A1AE,A1AF,A3A,N1AF,N5AF
			-	-	-	2	-	-	4803408	-----	S3A2,S3H
			-	-	-	2	-	-	8020872	-----	R1A,R3A,R3A1
			-	-	-	-	-	2	1762463	-----	A2A9,A2R,N7A1
			-	-	-	-	-	2	2363396	-----	A2R,N2KA
			-	-	-	-	-	2	-----	BHH1,N5MF,N5R,S1M	
-	-	-	-	-	2	3698327	-----	A1A,A1AS,A1C,A2A,A2C,A2R,BHH,NBL1,N1A,N1C,N5A,N5C			
-	-	-	-	-	2	4030140	-----	RTL1,STA1,STL1,S1A,S1A1,S3A			
-	-	-	-	-	2	4062256	-----	A1AE,A1AF,A3A,N1AF,N5AF			
-	-	-	-	-	2	4803408	-----	S3A2,S3H			
-	-	-	-	-	2	8020872	-----	R1A,R3A,R3A1			
36	19619-ZL8-300	COLLAR, FAN COVER	3	3	3	3	3	3	-----		
37	95002-41000-08	CLAMP, TUBE (D10)	-	-	-	4	-	-	4029853	-----	N7A1
38	90043-ZOL-820	BOLT, STUD (H=37.5MM)	-	-	-	1	-	-	-----		C1E,C1E1,C2E,C2E1,C3E,C3E1,C4E,C4E1



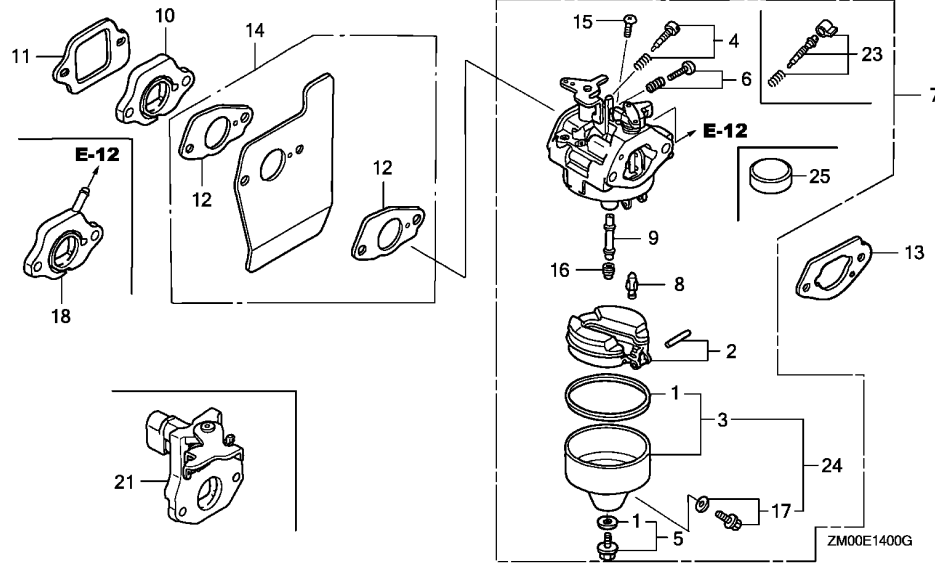


Ref. No.	L.O.N.	(Relative ref. Number) Description	F.R.T.
1	3111B1	GASKET SET, CARBURETOR (23)	0.4
4	3111D7	SCREW SET, PILOT	0.2
7	3111F3	CARBURETOR (2)	0.3
8	3111E1	VALVE SET, FLOAT AND/OR FLOAT SET (11,18)	0.4
10	3111C0	INSULATOR, CARBURETOR AND/OR PACKING, INSULATOR	0.3
12	3111C8	PACKING, CARBURETOR .NOTE: Same time for two units	0.3
13	3111G5	PACKING, CARBURETOR(A) .NOTE: Air cleaner side	0.2
14	3111G8	GUIDE, CARBURETOR AIR	0.3
16	3111C3	JET, MAIN	0.4
21	3111A5	CONTROL, CARBURETOR CHOKE	0.2
24	3111A3	CHAMBER SET, FLOAT AND/OR GASKET, FLOAT CHAMBER	0.3

Ref. No.	Part No.	Description	Reqd. QTY						Serial No.	Parts catalogue code
			GCV 135	GCV 135 E	GCV 160	GCV 160 A	GCV 135 A	GCV 160 E		
1	16010-883-015	PACKING SET	1	1	1	1	1	1		
2	16013-ZL1-003	FLOAT SET	1	1	1	1	1	1		
3	16015-892-015	CHAMBER SET, FLOAT (CARBURETOR NO.)	1	-	-	-	-	-	BB64A B	A1D,A1E,A1E1,A1J,A1U,A2D,A2E,A2E1,A2G,A2U,A3E,A4E,N1D,N1E,N1E1,N1G,N1U,N1W,N2D,N2E,N2E1,N2E2,N2E3,N2U
	//	//	1	-	-	-	-	-	BB64B B	A1A,A1C,A2A,A2C
	//	//	-	-	1	-	-	-	BB62A C	A1E,A1J,A1P,A1U,A2E,A2U,A3E,A4E,N1,N1D,N1E1,N1E2,N1U,N1W,N2,N2D,N2E,N2E1,N2E2,N2E3,N2U,N3V
	//	//	-	-	1	-	-	-	BB62B C	A1A,A1C,A2A,A2C
4	16016-892-005	SCREW SET A (CARBURETOR NO.)	1	-	-	-	-	-	BB64A C	A1D,A1E,A1E1,A1J,A1U,A2D,A2E,A2E1,A2G,A2U,A3E,A4E,N1D,N1E,N1E1,N1G,N1U,N1W,N2D,N2E,N2E1,N2E2,N2E3,N2U
		(CARBURETOR NO.)	-	-	1	-	-	-	BB62A D	A1E,A1J,A1P,A1U,A2E,A2U,A3E,A4E,N1,N1D,N1E1,N1E2,N1U,N1W,N2,N2D,N2E,N2E1,N2E2,N2E3,N2U,N3V
5	16028-ZE0-005	SCREW SET	1	1	1	1	1	1		
6	16029-ZG0-901	SCREW SET (THROTTLE STOP)	1	-	1	-	1	-		
		(CARBURETOR NO.)	-	1	-	-	-	-	BB64H A	S2E,S2E1
	//	//	-	-	-	1	-	-	BB62H A	A1AE,A1AF,A3A,N1AF,N5AF

Ref. No.	Part No.	Description	Reqd. QTY						Serial No.	Parts catalogue code				
			GCV 135	GCV 135 E	GCV 160	GCV 160 A	GCV 135 A	GCV 160 E						
7	16100-ZM1-003	CARBURETOR ASSY. (BB64A A) ..	1	-	-	-	-	-	1026455	A1D,A1E,A1E1,A1J,A1U,A2D,A2E,A2E1,A2G,A2U,A3E,A4E,N1D,N1E,N1E1,N1G,N1U,N2D,N2E,N2E1,N2E2,N2E3,N2U				
	16100-ZM1-013	CARBURETOR ASSY. (BB64A B) ..	1	-	-	-	-	-	1329234	N1W				
			1	-	-	-	-	-	1026456	1329234	A1D,A1E,A1E1,A1J,A1U,A2D,A2E,A2E1,A2G,A2U,A3E,A4E,N1D,N1E,N1E1,N1G,N1U,N2D,N2E,N2E1,N2E2,N2E3,N2U			
	16100-ZM1-023	CARBURETOR ASSY. (BB64A C) ..	1	-	-	-	-	-	1329235	1361490	A1D,A1E,A1E1,A1J,A1U,A2D,A2E,A2E1,A2G,A2U,A3E,A4E,N1D,N1E,N1E1,N1G,N1U,N1W,N2D,N2E,N2E1,N2E2,N2E3,N2U			
	16100-ZM1-801	CARBURETOR ASSY. (BB64B A) ..	1	-	-	-	-	-	1027809	1027809	A1A,A1C,A2A,A2C			
	16100-ZM1-802	CARBURETOR ASSY. (BB64B B) ..	1	-	-	-	-	-	1329234	1329234	A1A,A1C,A2A,A2C			
	16100-ZM1-803	CARBURETOR ASSY. (BB64B C) ..	1	-	-	-	-	-	1361491	1361491	A1D,A1E1,A1J,A1U,A2D,A2E1,A2U,A3E,A4E,N1E,N2D,N2E2,N2E3			
			1	-	-	-	-	-	1580464	1580464	A2R			
			1	-	-	-	-	-	1623459	1623459	N1S,N1W1			
			1	-	-	-	-	-	1329235	1623459	A1A,A1C,A2A,A2C			
			1	-	-	-	-	-	1361491	1623459	A1E,A2E,A2G,N1D,N1E1,N1G,N1U,N1W,N2E,N2E1,N2U			
			-	1	-	-	-	-	-----	-----	A2G,N1G			
	16100-ZM1-822	CARBURETOR ASSY. (BB64F A) ..	1	-	-	-	-	-	-----	-----	A1E7,A1E8,A2E4,A2E7,A2E8,A2E9,A2G7,N1S7,N1W7,N1W8,N2E7,N2E8,N2E9			
			1	-	-	-	-	-	1580465	1580465	A2R			
			1	-	-	-	-	-	1623460	1623460	A1A,A1C,A1E,A2A,A2C,A2E,A2G,N1D,N1E1,N1G,N1S,N1U,N1W,N1W1,N2E,N2E1,N2U			
			-	1	-	-	-	-	-----	-----	1982270	A1E,A1E7,A1E8,A1G9,A2E,A2E7,A2E8,A2E9,A2G4,A2G7,A2G9,A2R,N1E,N1S,N1S7,N1U,N1W,N1W7,N1W8,N2E,N2E1,N2E3,N2E7,N2E8,N2E9,N2KA		
			-	-	-	-	1	-	-----	-----	-----	A7E1,N7E1,N7E2		
	16100-ZOM-781	CARBURETOR ASSY. (BB64G A) ..	1	1	-	-	-	-	-----	-----	-----	S2E,S2E1		
	16100-ZOM-801	CARBURETOR ASSY. (BB64H A) ..	-	1	-	-	-	-	-----	-----	-----	-----		
	16100-ZM0-013	CARBURETOR ASSY. (BB62A C) ..	-	-	1	-	-	-	-----	-----	1676295	A1E,A1J,A1P,A1U,A2E,A2U,A3E,A4E,N1,N1D,N1E1,N1E2,N1U,N1W,N2,N2D,N2E,N2E1,N2E2,N2E3,N2U,N3V		
	16100-ZM0-023	CARBURETOR ASSY. (BB62A D) ..	-	-	1	-	-	-	-----	-----	1676296	1733302	A1E,A1J,A1P,A1U,A2E,A2U,A3E,A4E,N1,N1D,N1E1,N1E2,N1U,N1W,N2,N2D,N2E,N2E1,N2E2,N2E3,N2U,N3V	
	16100-ZM0-802	CARBURETOR ASSY. (BB62B C) ..	-	-	1	-	-	-	-----	-----	1676295	1676295	A1A,A1C,A2A,A2C	
	16100-ZM0-803	CARBURETOR ASSY. (BB62B D) ..	-	-	1	-	-	-	-----	-----	-----	A1E7,A1E8,A1G7,A1W2,A1W7,A2E4,A2E7,A2E8,A2E9,A2G7,A2R,N1E7,N1J1,N1R,N1W1,N1W2,N1W7,N1W8,N1W9,N2E7,N2E8,N2E9,N3U		
			-	-	1	-	-	-	-----	-----	1676296	-----	A1A,A1C,A2A,A2C	
			-	-	1	-	-	-	-----	-----	1733303	-----	A1E,A1J,A1P,A1U,A2E,A2U,A3E,A4E,N1,N1D,N1E1,N1E2,N1U,N1W,N2,N2D,N2E,N2E1,N2E2,N2E3,N2U,N3V	
			-	-	-	1	-	-	-----	-----	2225727	-----	A1AE,A1AF,A3A,N1AF,N5AF	
			-	-	-	1	-	-	-----	-----	3201357	-----	A1A,A1AS,A1C,A1E,A1E7,A1E8,A1W7,A2A,A2C,A2E7,A2E8,A2E9,A2G7,A2R,A3E,BHH,EHBB,E1A2,E1A4,E1G7,E2G7,E5A4,N1A,N1C,N1E1,N1E7,N1R,N1U,N1W7,N1W8,N1W9,N2E7,N2E8,N2E9,N2U,N3U,N3V,N5A,N5C	
			-	-	-	-	-	1	-----	-----	1524971	-----	A1E7,A1E8,A1G7,A1G9,A1P,A1W7,A2A9,A2E7,A2E8,A2E9,A2G4,A2G7,A2G9,A2R,A3E7,N1D,N1E1,N1E2,N1E7,N1J1,N1R,N1T8,N1T9,N1W7,N1W8,N1W9,N2E7,N2E8,N2E9	
	16100-ZM1-823	CARBURETOR ASSY. (BB64F B) ..	-	1	-	-	-	-	-----	-----	-----	-----	A3G9,A4G4,A4G7,A4G9,N2KE	
			-	1	-	-	-	-	-----	-----	1982271	-----	A1E,A1E7,A1E8,A1G9,A2E,A2E7,A2E8,A2E9,A2G4,A2G7,A2G9,N1E,N1S,N1S7,N1U,N1W,N1W7,N1W8,N2E,N2E1,N2E3,N2E7,N2E8,N2E9	
			-	1	-	-	-	-	-----	-----	1982271	2363395	A2R,N2KA	
	16100-ZOL-781	CARBURETOR ASSY. (BB62F A) ..	-	-	1	-	-	-	-----	-----	-----	-----	A7E1,N7A1	
			-	-	-	1	-	-	-----	-----	-----	-----	1456295	A7E1,N7A1
			-	-	-	-	-	1	-----	-----	-----	-----	1527131	A7E1,N7A1
	16100-ZOL-801	CARBURETOR ASSY. (BB62G A) ..	-	-	-	1	-	-	-----	-----	-----	-----	3172195	R1A,R3A,R3A1,STA1,S1A,S1A1,S3A
			-	-	-	-	-	1	-----	-----	-----	-----	-----	S1E1,S2E,S2E1





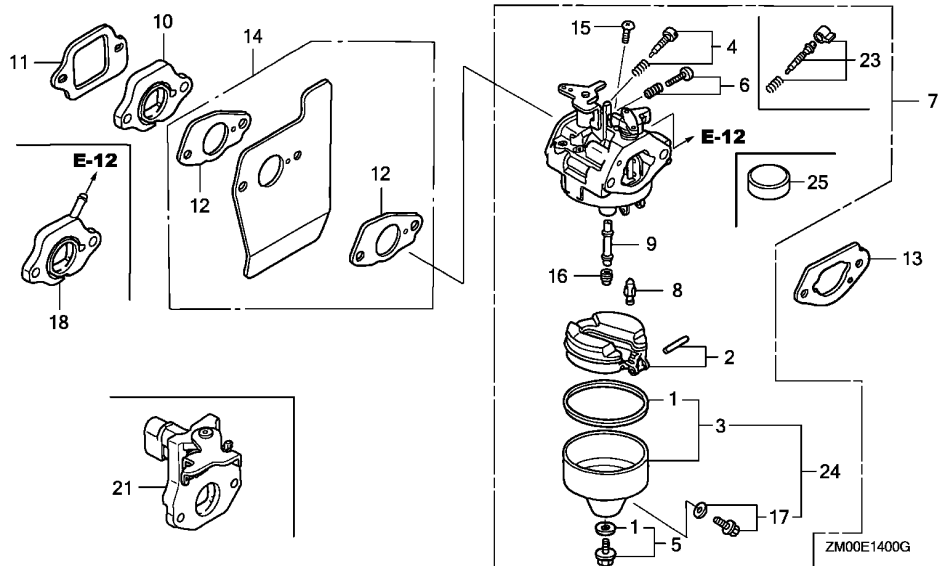
FR.

2

Ref. No.	Part No.	Description	Reqd. QTY					Serial No.	Parts catalogue code		
			GCV 135	GCV 135 E	GCV 160	GCV 160 A	GCV 135 A			GCV 160 E	
(7)	16100-ZM0-804	CARBURETOR ASSY. (BB62B E)	-	-	-	1	-	1	-----	A1M,A3E9,A3T9,A3W7,A3W8,C1E,C1E1,C2E,C2E1,N1L,N3T8,N3T9,N3W8,N3W9	
			-	-	-	1	-	-	3201358	-----	A1E,A1E7,A1E8,A1W7,A2E7,A2E8,A2E9,A2G7,A3E,EHHB,E1A2,E1A4,E1G7,E2G7,E5A4,N1E1,N1E7,N1R,N1U,N1W7,N1W8,N1W9,N2E7,N2E8,N2E9,N2U,N3U,N3V
			-	-	-	1	-	-	3698326	-----	NBL1
			-	-	-	1	-	-	3201358	-----	3698326
			-	-	-	-	-	1	1524972	-----	A1A,A1AS,A1C,A2A,A2C,A2R,BHH,N1A,N1C,N5A,N5C,A1E7,A1E8,A1G7,A1G9,A1P,A1W7,A2A9,A2E7,A2E8,A2E9,A2G4,A2G7,A2G9,A2R,A3E7,N1D,N1E1,N1E2,N1E7,N1J1,N1R,N1T8,N1T9,N1W7,N1W8,N1W9,N2E7,N2E8,N2E9
	16100-ZOL-782	CARBURETOR ASSY. (BB62F B)	-	-	-	1	-	-	-----	-----	N7S1
			-	-	-	1	-	-	1456296	-----	A7E1
			-	-	-	1	-	-	1456296	-----	4029852
			-	-	-	-	-	1	1527132	-----	N7A1
	16100-ZOL-802	CARBURETOR ASSY. (BB62G B)	-	-	-	1	-	-	-----	-----	A7E1,N7A1
			-	-	-	1	-	-	-----	-----	S3H2
			-	-	-	1	-	-	4030139	-----	RTL1,STL1
			-	-	-	1	-	-	3172196	-----	4030139
			-	-	-	1	-	-	3172196	-----	STA1,S1A,S1A1,S3A
			-	-	-	1	-	-	8020871	-----	R1A,R3A,R3A1
	16100-ZOL-811	CARBURETOR ASSY. (BB62H A)	-	-	-	1	-	-	2225728	-----	A1AE,A1AF,A3A,N1AF,N5AF
	16100-ZOM-003	CARBURETOR ASSY. (BB64L A)	-	-	1	-	-	-	2363396	-----	A2R,N2KA
	16100-ZOL-003	CARBURETOR ASSY. (BB62W A)	-	-	-	1	-	1	-----	-----	A3G9,A4G4,A4G7,A4G9,BHH1,C3E,C3E1,C4E,C4E1
			-	-	-	1	-	-	3698327	-----	A1A,A1AS,A1C,A2A,A2C,A2R,BHH,NBL1,N1A,N1C,N5A,N5C
	16100-ZOL-812	CARBURETOR ASSY. (BB62H B)	-	-	-	1	-	-	3036310	-----	A1AE,A1AF,A3A,N1AF,N5AF
	16100-ZOL-851	CARBURETOR ASSY. (BB62Z A)	-	-	-	1	-	-	4030140	-----	RTL1,STA1,STL1,S1A,S1A1,S3A
			-	-	-	1	-	-	8020872	-----	R1A,R3A,R3A1
	16100-ZOM-841	CARBURETOR ASSY. (BB64N A)	-	-	1	-	-	-	-----	-----	S2E2,S3E9,S4E4,S4E9
	16100-Z1L-003	CARBURETOR ASSY. (BB62Y A)	-	-	-	1	-	-	4029853	-----	N7A1
	16100-ZOL-841	CARBURETOR ASSY. (BB62S A)	-	-	-	1	-	-	4803407	-----	S3A2,S3H

Ref. No.	Part No.	Description	Reqd. QTY						Serial No.	Parts catalogue code
			GCV 135	GCV 135 E	GCV 160	GCV 160 A	GCV 135 A	GCV 160 E		
(7)	16100-ZOL-861	CARBURETOR ASSY. (BB65A A) ..	-	-	-	1	-	-	-----	N5MF,N5R
	16100-ZOM-851	CARBURETOR ASSY. (BB64P A) ..	-	-	1	-	-	4062256	-----	A1AE,A1AF,A3A,N1AF,N5AF
	16100-ZOL-871	CARBURETOR ASSY. (BB65E A) ..	-	-	-	1	-	-----	-----	S2E3,S3G9,S4G4,S4G9
	16100-Z1L-851	CARBURETOR ASSY. (BB65K A) ..	-	-	-	1	-	4803408	-----	S1M,S2E2,S2G7,S3E9,S4E4,S4E9
8	16155-ZMO-003	VALVE, FLOAT	1	-	1	-	1	-----	-----	S3A2,S3H
		(CARBURETOR NO.)	-	1	-	-	-	-----	-----	S2E3,S3G9,S4G4,S4G9
		//	-	1	-	-	-	-----	-----	A2G,N1G
		//	-	1	-	-	-	-----	-----	BB64F A A1E,A1E7,A1E8,A1G9,A2E,A2E7,A2E8,A2E9,A2G4,A2G7,A2G9
		//	-	-	-	1	-	-----	-----	A2R,N1E,N1S,N1S7,N1U,N1W,N1W7,N1W8,N2E,N2E1,N2E3,N2E7
		//	-	1	-	-	-	-----	-----	N2E8,N2E9,N2KA
		//	-	1	-	-	-	-----	-----	BB64G A A7E1,N7E1,N7E2
		//	-	-	-	1	-	-----	-----	BB64H A S2E,S2E1
		//	-	-	-	1	-	-----	-----	BB62B D A1A,A1AS,A1C,A1E,A1E7,A1E8,A1G7,A1G9,A1P,A1W7,A2A,A2A9
		//	-	-	-	1	-	-----	-----	A2C,A2E7,A2E8,A2E9,A2G4,A2G7,A2G9,A2R,A3E,A3E7,BHH
		//	-	-	-	1	-	-----	-----	EHHB,E1A2,E1A4,E1G7,E2G7,E5A4,N1A,N1C,N1D,N1E1,N1E2
		//	-	-	-	1	-	-----	-----	N1E7,N1J1,N1R,N1T8,N1T9,N1U,N1W7,N1W8,N1W9,N2E7,N2E8
		//	-	-	-	1	-	-----	-----	N2E9,N2U,N3U,N3V,N5A,N5C
		//	-	-	-	1	-	-----	-----	BB62F A A7E1,N7A1
		//	-	-	-	1	-	-----	-----	BB62G A R1A,R3A,R3A1,STA1,S1A,S1A1,S1E1,S2E,S2E1,S3A
		//	-	-	-	1	-	-----	-----	BB62H A A1AE,A1AF,A3A,N1AF,N5AF
	16155-ZMO-013	-	1	-	1	-	-----	-----	A1M,A3E9,A3G9,A3T9,A3W7,A3W8,A4G4,A4G7,A4G9,BHH1,C1E
		(CARBURETOR NO.)	-	1	-	-	-	BB64F B	-----	C1E1,C2E,C2E1,C3E,C3E1,C4E,C4E1,NBL1,N1L,N2KE,N3T8
		//	-	1	-	-	-	-----	-----	N3T9,N3W8,N3W9,N5MF,N5R,N7S1,RTL1,STL1,S1M,S2E2,S2E3
		//	-	1	-	-	-	-----	-----	S2G7,S3A2,S3E9,S3G9,S3H,S3H2,S4E4,S4E9,S4G4,S4G9
		//	-	1	-	-	-	-----	-----	A1E,A1E7,A1E8,A1G9,A2E,A2E7,A2E8,A2E9,A2G4,A2G7,A2G9
		//	-	1	-	-	-	-----	-----	A2R,N1E,N1S,N1S7,N1U,N1W,N1W7,N1W8,N2E,N2E1,N2E3,N2E7
		//	-	1	-	-	-	-----	-----	N2E8,N2E9,N2KA
		//	-	1	-	-	-	-----	-----	BB64G B A7E1,N7E1,N7E2
		//	-	1	-	-	-	-----	-----	BB64H B S2E,S2E1
		//	-	-	-	1	-	-----	-----	BB62B E A1A,A1AS,A1C,A1E,A1E7,A1E8,A1G7,A1G9,A1P,A1W7,A2A,A2A9
		//	-	-	-	1	-	-----	-----	A2C,A2E7,A2E8,A2E9,A2G4,A2G7,A2G9,A2R,A3E,A3E7,BHH
		//	-	-	-	1	-	-----	-----	EHHB,E1A2,E1A4,E1G7,E2G7,E5A4,N1A,N1C,N1D,N1E1,N1E2
		//	-	-	-	1	-	-----	-----	N1E7,N1J1,N1R,N1T8,N1T9,N1U,N1W7,N1W8,N1W9,N2E7,N2E8
		//	-	-	-	1	-	-----	-----	N2E9,N2U,N3U,N3V,N5A,N5C
		//	-	-	-	1	-	-----	-----	BB62F B A7E1,N7A1
		//	-	-	-	1	-	-----	-----	BB62G B R1A,R3A,R3A1,STA1,S1A,S1A1,S1E1,S2E,S2E1,S3A
		//	-	-	-	1	-	-----	-----	BB62H B A1AE,A1AF,A3A,N1AF,N5AF
9	16166-ZM1-003	NOZZLE, MAIN	1	-	-	-	1	-----	-----	A1E,A1E7,A1E8,A1G9,A2E,A2E7,A2E8,A2E9,A2G,A2G4,A2G7
			-	1	-	-	-	-----	-----	A2G9,A2R,A3G9,A4G4,A4G7,A4G9,A7E1,N1E,N1G,N1S,N1S7,N1U
			-	1	-	-	-	-----	-----	N1W,N1W7,N1W8,N2E,N2E1,N2E3,N2E7,N2E8,N2E9,N2KA,N2KE
			-	1	-	-	-	-----	-----	N7E1,N7E2,S2E,S2E1
	16166-ZMO-003	-	-	1	-	-	-----	-----	A1A,A1AE,A1AF,A1AS,A1C,A1E,A1E7,A1E8,A1G7,A1G9,A1M,A1P
			-	-	1	-	-	-----	-----	A1W7,A2A,A2A9,A2C,A2E7,A2E8,A2E9,A2G4,A2G7,A2G9,A2R
			-	-	1	-	-	-----	-----	A3A,A3E,A3E7,A3E9,A3G9,A3T9,A3W7,A3W8,A4G4,A4G7,A4G9
			-	-	1	-	-	-----	-----	A7E1,BHH,BHH1,C1E,C1E1,C2E,C2E1,C3E,C3E1,C4E,C4E1,EHHB
			-	-	1	-	-	-----	-----	E1A2,E1A4,E1G7,E2G7,E5A4,NBL1,N1A,N1AF,N1C,N1D,N1E1
			-	-	1	-	-	-----	-----	N1E2,N1E7,N1J1,N1L,N1R,N1T8,N1T9,N1U,N1W7,N1W8,N1W9
			-	-	1	-	-	-----	-----	N2E7,N2E8,N2E9,N2U,N3T8,N3T9,N3U,N3V,N3W8,N3W9,N5A
			-	-	1	-	-	-----	-----	N5AF,N5C,N5MF,N5R,N7A1,N7S1,RTL1,R1A,R3A,R3A1,STA1
			-	-	1	-	-	-----	-----	STL1,S1A,S1A1,S1E1,S2E,S2E1,S3A,S3H2
	16166-ZOL-841	-	-	-	1	-	-----	-----	S1M,S2E2,S2G7,S3A2,S3E9,S3H,S4E4,S4E9
	16166-Z1L-851	-	-	-	-	1	-----	-----	S2E3,S3G9,S4G4,S4G9
	16166-ZOM-841	-	1	-	-	-	-----	-----	S2E2,S2E3,S3E9,S3G9,S4E4,S4E9,S4G4,S4G9



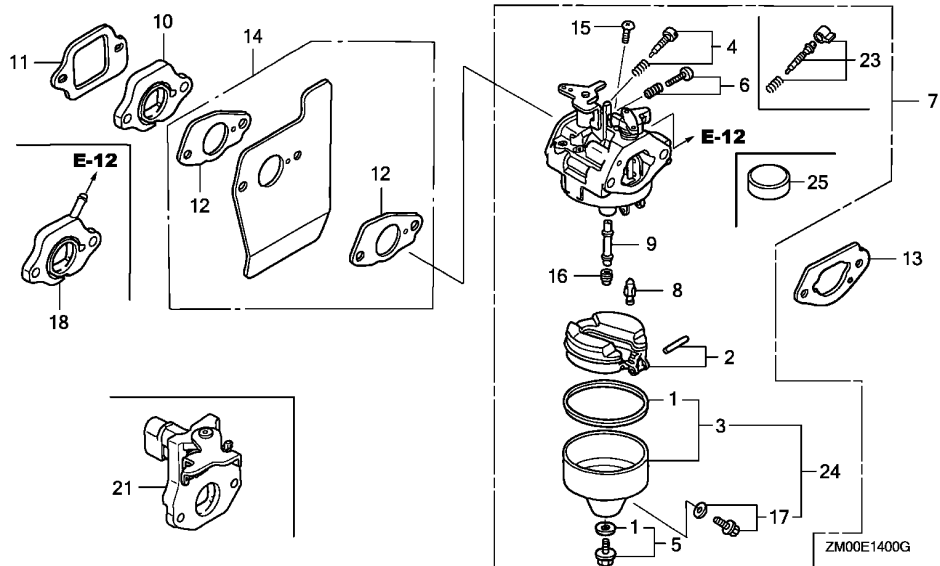


FR.

Ref. No.	Part No.	Description	Reqd. QTY						Serial No.	Parts catalogue code
			GCV 135	GCV 135 E	GCV 160	GCV 160 A	GCV 135 A	GCV 160 E		
10	16211-ZL8-000	INSULATOR, CARBURETOR	1	1	1	1	-	1	-----	A1A,A1AE,A1AF,A1AS,A1C,A1D,A1E,A1E1,A1E7,A1E8,A1G7,A1G9,A1J,A1M,A1P,A1U,A1W2,A1W7,A2A,A2A9,A2C,A2D,A2E,A2E1,A2E4,A2E7,A2E8,A2E9,A2G,A2G4,A2G7,A2G9,A2R,A2U,A3A,A3E,A3E7,A3E9,A3G9,A3T9,A3W7,A3W8,A4E,A4G4,A4G7,A4G9,BHH,BHH1,C1E,C1E1,C2E,C2E1,C3E,C3E1,C4E,C4E1,EHHB,E1A2,E1A4,E1G7,E2G7,E5A4,NBL1,N1,N1A,N1AF,N1C,N1D,N1E,N1E1,N1E2,N1E7,N1G,N1J1,N1L,N1R,N1S,N1S7,N1T8,N1T9,N1U,N1W,N1W1,N1W2,N1W7,N1W8,N1W9,N2,N2D,N2E,N2E1,N2E2,N2E3,N2E7,N2E8,N2E9,N2KA,N2KE,N2U,N3T8,N3T9,N3U,N3V,N3W8,N3W9,N5A,N5AF,N5C,N5MF,N5R,RTL1,R1A,R3A,R3A1,STA1,STL1,S1A,S1A1,S1E1,S2E,S2E1,S3A,S3H2
11	16212-ZL8-000	PACKING, INSULATOR	1	1	1	1	1	1	-----	A1A,A1AE,A1AF,A1AS,A1C,A1E,A1E7,A1E8,A1G9,A1M,A1W7,A2A,A2C,A2E,A2E7,A2E8,A2E9,A2G,A2G4,A2G7,A2G9,A2R,A3A,A3E,A3G9,A4G4,A4G7,A4G9,A7E1,BHH,BHH1,C1E,C1E1,C2E,C2E1,C3E,C3E1,C4E,C4E1,EHHB,E1A2,E1A4,E1G7,E2G7,E5A4,NBL1,N1A,N1AF,N1C,N1E,N1E1,N1E7,N1G,N1L,N1R,N1S,N1S7,N1U,N1W,N1W7,N1W8,N1W9,N2E,N2E1,N2E3,N2E7,N2E8,N2E9,N2KA,N2KE,N2U,N3U,N3V,N5A,N5AF,N5C,N5MF,N5R,N7A1,N7E1,N7E2,N7S1,RTL1,R1A,R3A,R3A1,STA1,STL1,S1A,S1A1,S2E,S2E1,S3A,S3H2
12	16221-883-800	PACKING, CARBURETOR	2	2	2	2	2	2	-----	S1M,S2E2,S2E3,S2G7,S3A2,S3E9,S3G9,S3H,S4E4,S4E9,S4G4,S4G9
13	16228-ZL8-000	PACKING, CARBURETOR	1	-	1	-	1	1	-----	
	16228-ZOL-840	PACKING, CARBURETOR (CHOKE SIDE)	-	1	-	1	-	-	-----	
14	19650-ZMO-000	GUIDE COMP., AIR	1	1	1	1	1	1	-----	

Ref. No.	Part No.	Description	Reqd. QTY						Serial No.	Parts catalogue code
			GCV 135	GCV 135 E	GCV 160	GCV 160 A	GCV 135 A	GCV 160 E		
15	93500-05006-1H	SCREW, PAN, 5X6	1	1	1	1	1	1		
16	99101-124-0550	JET, MAIN, #55	(1)	-	-	-	-	-	----- A1D, A1E1, A1J, A1U, A2D, A2E1, A2U, A3E, A4E, N1E, N2D, N2E2, N2E3	
	(CARBURETOR NO.)		(1)	-	-	-	-	-	----- BB64B C A1A, A1C, A1E, A2A, A2C, A2E, A2G, A2R, N1D, N1E1, N1G, N1S, N1U, N1W, N1W1, N2E, N2E1, N2U, A2G, N1G	
	99101-124-0580	JET, MAIN, #58	(1)	(1)	-	-	(1)	-	----- A1E, A1E7, A1E8, A1G9, A2E, A2E7, A2E8, A2E9, A2G, A2G4, A2G7, A2G9, A2R, A3G9, A4G4, A4G7, A4G9, A7E1, N1E, N1G, N1S, N1S7, N1U, N1W, N1W7, N1W8, N2E, N2E1, N2E3, N2E7, N2E8, N2E9, N2KA, N2KE, N7E1, N7E2, S2E, S2E1	
	99101-124-0600	JET, MAIN, #60	1	(1)	-	(1)	-	(1)	----- A1D, A1E1, A1J, A1U, A2D, A2E1, A2U, A3T9, A4E, A4G4, A4G7, A4G9, C3E, C3E1, C4E, C4E1, N2D, N2E2	
	(CARBURETOR NO.)		1	(1)	-	-	-	(1)	----- A3E, A3G9	
			1	-	-	-	-	(1)	----- N1E, N2E3, S2E3, S3G9, S4G4, S4G9	
	(CARBURETOR NO.)		1	-	-	-	-	-	----- BB64B C A1A, A1C, A1E, A2A, A2C, A2E, A2G, A2R, N1D, N1E1, N1G, N1S, N1U, N1W, N1W1, N2E, N2E1, N2U, A2G, N1G	
			(1)	(1)	-	(1)	-	(1)	----- A1E7, A1E8, A2E4, A2E7, A2E8, A2E9, A2G7, A7E1, N1S7, N1W7, N1W8, N2E7, N2E8, N2E9, N7E1, N7E2	
	(CARBURETOR NO.)		(1)	-	-	-	-	-	----- BB64F A A1A, A1C, A1E, A2A, A2C, A2E, A2G, A2R, N1D, N1E1, N1G, N1S, N1U, N1W, N1W1, N2E, N2E1, N2U	
			-	(1)	-	(1)	-	(1)	----- A1A, A1AE, A1AF, A1AS, A1C, A1E, A1G7, A1G9, A1M, A1P, A1W7, A2A, A2A9, A2C, A2E, A2G4, A2G9, A2R, A3A, A3E, A3E7, A3E9, A3W7, A3W8, BHH, BHH1, C1E, C1E1, C2E, C2E1, EHHB, E1A2, E1A4, E1G7, E2G7, E5A4, NBL1, N1A, N1AF, N1C, N1D, N1E, N1E1, N1E2, N1E7, N1J1, N1L, N1R, N1S, N1T8, N1T9, N1U, N1W, N1W9, N2E, N2E1, N2E3, N2KA, N2KE, N2U, N3T8, N3T9, N3U, N3V, N3W8, N3W9, N5A, N5AF, N5C, N5MF, N5R, N7A1, N7S1, RTL1, R1A, R3A, R3A1, STA1, STL1, S1A, S1A1, S1E1, S2E, S2E1, S3A, S3H2	
			-	(1)	-	-	-	-	----- S2E2, S2E3, S3E9, S3G9, S4E4, S4E9, S4G4, S4G9	
	99101-124-0620	JET, MAIN, #62	1	1	-	(1)	-	(1)	----- A1E7, A1E8, A2E4, A2E7, A2E8, A2E9, A2G7, A7E1, N1S7, N1W7, N1W8, N2E7, N2E8, N2E9, N7E1, N7E2	
	(CARBURETOR NO.)		1	-	-	-	-	-	----- BB64F A A1A, A1C, A1E, A2A, A2C, A2E, A2G, A2R, N1D, N1E1, N1G, N1S, N1U, N1W, N1W1, N2E, N2E1, N2U	
			-	1	-	(1)	-	(1)	----- A1A, A1AE, A1AF, A1AS, A1C, A1E, A1G7, A1G9, A1M, A1P, A1W7, A2A, A2A9, A2C, A2E, A2G4, A2G9, A2R, A3A, A3E, A3E7, A3E9, A3G9, A3T9, A3W7, A3W8, A4G4, A4G7, A4G9, BHH, BHH1, C1E, C1E1, C2E, C2E1, C3E, C3E1, C4E, C4E1, EHHB, E1A2, E1A4, E1G7, E2G7, E5A4, NBL1, N1A, N1AF, N1C, N1D, N1E, N1E1, N1E2, N1E7, N1J1, N1L, N1R, N1S, N1T8, N1T9, N1U, N1W, N1W9, N2E, N2E1, N2E3, N2KA, N2KE, N2U, N3T8, N3T9, N3U, N3V, N3W8, N3W9, N5A, N5AF, N5C, N5MF, N5R, N7A1, N7S1, RTL1, R1A, R3A, R3A1, STA1, STL1, S1A, S1A1, S1E1, S2E, S2E1, S3A, S3H2	
			-	(1)	-	-	-	(1)	----- S2E3, S3G9, S4G4, S4G9	
			-	(1)	-	-	-	-	----- S2E2, S3E9, S4E4, S4E9	
			-	-	(1)	-	1	-		

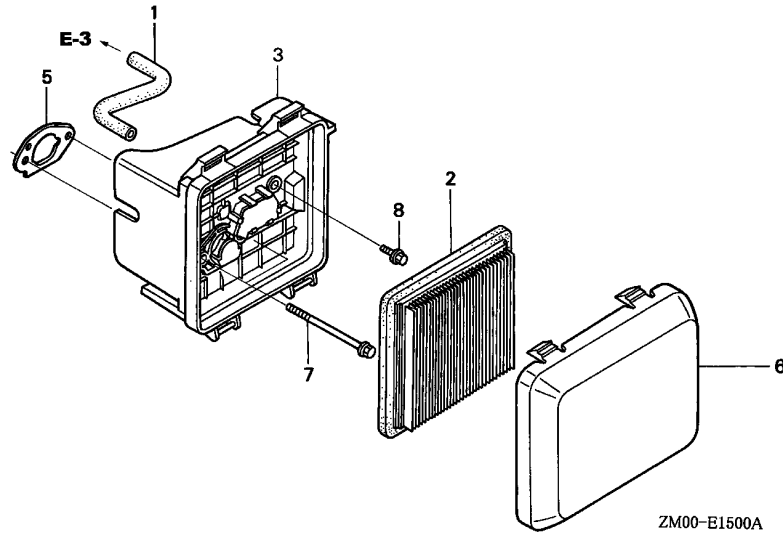




Ref. No.	Part No.	Description	Reqd. QTY						Serial No.	Parts catalogue code
			GCV 135	GCV 135 E	GCV 160	GCV 160 A	GCV 135	GCV 160 E		
16)	99101-124-0650	JET, MAIN, #65	-	1	-	1	-	1	-----	A1W7,N1E1,N1E7,N1R,N1W9,N7A1,S2E3,S3G9,S4G4,S4G9 S1M,S2E2,S2G7,S3A2,S3E9,S3H,S4E4,S4E9
			-	1	-	(1)	-	-	-----	A1A,A1AE,A1AF,A1AS,A1C,A1E,A1E7,A1E8,A1G7,A1G9,A1M,A1P A2A,A2A9,A2C,A2E7,A2E8,A2E9,A2G4,A2G7,A2G9,A2R,A3A,A3E A3E7,A3E9,A3G9,A3T9,A3W7,A3W8,A4G4,A4G7,A4G9,A7E1,BHH BHH1,C1E,C1E1,C2E,C2E1,C3E,C3E1,C4E,C4E1,EHHB,E1A2 E1A4,E1G7,E2G7,E5A4,NBL1,N1A,N1AF,N1C,N1D,N1E2,N1J1 N1L,N1T8,N1T9,N1U,N1W7,N1W8,N2E7,N2E8,N2E9,N2U,N3T8 N3T9,N3U,N3V,N3W8,N3W9,N5A,N5AF,N5C,N5MF,N5R,N7S1,RTL1 R1A,R3A,R3A1,STA1,STL1,S1A,S1A1,S1E1,S2E,S2E1,S3A,S3H2
	99101-124-0680	JET, MAIN, #68	-	-	-	(1)	-	-	-----	S1M,S2G7,S3A2,S3H
	99101-124-0700	JET, MAIN, #70	-	-	-	1	-	1	-----	S1M,S2E2,S2G7,S3A2,S3E9,S3H,S4E4,S4E9
17	16024-ZE1-811	SCREW SET, DRAIN	1	-	1	-	-	-	-----	A1E7,A1E8,A1G7,A1W2,A1W7,A2E4,A2E7,A2E8,A2E9,A2G7,A2R A7E1,N1E7,N1J1,N1R,N1S,N1S7,N1W1,N1W2,N1W7,N1W8,N1W9 N2E7,N2E8,N2E9,N3U,N7A1,N7E1,N7E2
		(CARBURETOR NO.)	1	-	1	-	-	-	-----	BB64B C
		“	1	-	-	-	-	-	-----	BB64A C
		“	1	-	-	-	-	-	-----	BB64B C
		(CARBURETOR NO.)	-	1	-	1	1	1	-----	BB62A D
		“	-	-	1	-	-	-	-----	BB62B D
18	16210-ZOM-780	INSULATOR COMP., CARBURETOR	1	1	1	1	-	1	-----	A1E7,N7A1,N7E1,N7E2,N7S1
21	16600-ZOL-840	CONTROL ASSY., CHOKE	-	1	-	1	-	1	-----	S1M,S2E2,S2E3,S2G7,S3A2,S3E9,S3G9,S3H,S4E4,S4E9,S4G4 S4G9

Ref. No.	Part No.	Description	Reqd. QTY						Serial No.	Parts catalogue code
			GCV 135	GCV 135 E	GCV 160	GCV 160 A	GCV 135 A	GCV 160 E		
23	16016-ZG0-W00	SCREW SET	1	1	1	1	-	1	-----	A1A,A1AS,A1E7,A1E8,A1G7,A1G9,A1M,A1W2,A1W7,A2A,A2A9,A2E4,A2E7,A2E8,A2E9,A2G4,A2G7,A2G9,A2R,A3E7,A3E9,A3G9,A3T9,A3W7,A3W8,A4G4,A4G7,A4G9,A7E1,BHH,BHH1,C1E,C1E1,C2E,C2E1,C3E,C3E1,C4E,C4E1,EHHB,E1A2,E1A4,E1G7,E2G7,E5A4,NBL1,N1A,N1C,N1E7,N1J1,N1L,N1R,N1S,N1S7,N1T8,N1T9,N1W1,N1W2,N1W7,N1W8,N1W9,N2E7,N2E8,N2E9,N2KA,N2KE,N3T8,N3T9,N3U,N3W8,N3W9,N5A,N5C,N7A1,N7E1,N7E2,N7S1,S2E3,S3G9,S4G4,S4G9
		(CARBURETOR NO.)	1	-	-	1	-	1	-----	A1C,A1P,A2C,N1E2,N3V
			1	-	-	-	-	-	BB64B C	A1D,A1E,A1E1,A1J,A1U,A2D,A2E,A2E1,A2G,A2U,A3E,A4E,N1D,N1E,N1E1,N1G,N1U,N1W,N2D,N2E,N2E1,N2E2,N2E3,N2U
		(CARBURETOR NO.)	-	1	-	1	-	1	-----	A1E,A2E,A2G,A3E,N1D,N1E,N1E1,N1G,N1U,N1W,N2E,N2E1,N2E3,N2U
			-	-	1	-	-	-	BB62B D	A1E,A1J,A1P,A1U,A2E,A2U,A3E,A4E,N1,N1D,N1E1,N1E2,N1U,N1W,N2,N2D,N2E,N2E1,N2E2,N2E3,N2U,N3V
			-	-	-	1	-	-	-----	A1AE,A1AF,A3A,N1AF,N5AF
24	16015-887-782	CHAMBER SET, FLOAT	1	-	1	-	-	-	-----	A1E7,A1E8,A1G7,A1W2,A1W7,A2E4,A2E7,A2E8,A2E9,A2G7,A2R,A7E1,N1E7,N1J1,N1R,N1S,N1S7,N1W1,N1W2,N1W7,N1W8,N1W9,N2E7,N2E8,N2E9,N3U,N7A1,N7E1,N7E2
		(CARBURETOR NO.)	1	-	-	-	-	-	BB64A C	A1D,A1E,A1E1,A1J,A1U,A2D,A2E,A2E1,A2G,A2U,A3E,A4E,N1D,N1E,N1E1,N1G,N1U,N1W,N2D,N2E,N2E1,N2E2,N2E3,N2U
		//	1	-	-	-	-	-	BB64B C	A1A,A1C,A2A,A2C
		(CARBURETOR NO.)	-	1	-	1	1	1	-----	A1E,A1J,A1P,A1U,A2E,A2U,A3E,A4E,N1,N1D,N1E1,N1E2,N1U,N1W,N2,N2D,N2E,N2E1,N2E2,N2E3,N2U,N3V
			-	-	1	-	-	-	BB62B D	A1A,A1C,A2A,A2C
25	16148-Z1L-851	CAP, CHOKE DUST	-	1	-	-	-	1	-----	S2E3,S3G9,S4G4,S4G9
			-	1	-	-	-	-	-----	S2E2,S3E9,S4E4,S4E9





Ref. No.	L.O.N.	(Relative ref. Number) Description	F.R.T.
1	1111K5	TUBE, BREATHER	0.1
2	3121B8	ELEMENT, AIR CLEANERINCLUDES: Air cleaner- inspection	0.1
3	3121A5	CASE, AIR CLEANER	0.2
5	3121D9	PACKING, AIR CLEANER	0.2

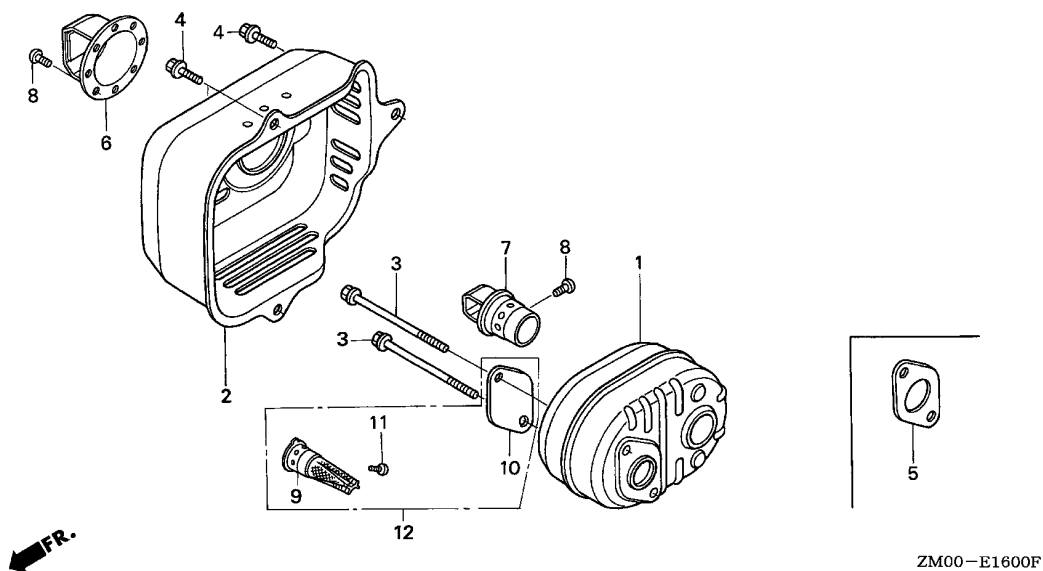
FR.

ZM00-E1500A

Ref. No.	Part No.	Description	Reqd. QTY						Serial No.	Parts catalogue code
			GCV 135	GCV 135 E	GCV 160	GCV 160 A	GCV 135 A	GCV 160 E		
1	15721-ZM1-000	TUBE, BREATHER	1	1	-	-	1	-		
	15721-ZM0-000	-	-	1	1	-	-		
2	17211-ZL8-000	ELEMENT, AIR CLEANER	1	-	-	-	-	-	----- 1622339	
									A1A,A1C,A1D,A1E,A1E1,A1J,A1U,A2A,A2C,A2D,A2E,A2E1,A2E4,A2G,A2R,A2U,A3E,A4E,N1D,N1E,N1E1,N1G,N1S,N1U,N1W,N1W1,N2D,N2E,N2E1,N2E2,N2E3,N2U	
					1	-	-	-	----- 2240610	
									A1A,A1C,A1E,A1J,A1P,A1U,A1W2,A2A,A2C,A2E,A2E4,A2R,A2U,A3E,A4E,N1,N1D,N1E1,N1E2,N1U,N1W,N1W1,N1W2,N2,N2D,N2E,N2E1,N2E2,N2E3,N2U,N3V	
	17211-ZL8-003	1	-	1	-	-	-	-----	
									A1E7,A1E8,A1G7,A1W7,A2E7,A2E8,A2E9,A2G7,A7E1,N1E7,N1J1,N1R,N1S7,N1W7,N1W8,N1W9,N2E7,N2E8,N2E9,N3U,N7A1,N7E1,N7E2	
			1	-	-	-	-	-	1622340 -----	
									A1A,A1C,A1D,A1E,A1E1,A1J,A1U,A2A,A2C,A2D,A2E,A2E1,A2E4,A2G,A2R,A2U,A3E,A4E,N1D,N1E,N1E1,N1G,N1S,N1U,N1W,N1W1,N2D,N2E,N2E1,N2E2,N2E3,N2U	
				1	-	-	-	1	-----	
									A2A9,A2G,N1G,N1T8,N1T9	
					1	-	-	-	2240611 -----	
									A1A,A1C,A1E,A1J,A1P,A1U,A1W2,A2A,A2C,A2E,A2E4,A2R,A2U,A3E,A4E,N1,N1D,N1E1,N1E2,N1U,N1W,N1W1,N1W2,N2,N2D,N2E,N2E1,N2E2,N2E3,N2U,N3V	
									----- A1G9,STA1	
	17211-ZL8-023	-	-	-	1	-	1	-----	
									A1E,A1E7,A1E8,A1G9,A2E,A2E7,A2E8,A2E9,A2G4,A2G7,A2G9,A2R,A3G9,A4G4,A4G7,A4G9,A7E1,N1E,N1S,N1S7,N1U,N1W,N1W7,N1W8,N2E,N2E1,N2E3,N2E7,N2E8,N2E9,N2KA,N2KE,N7E1,N7E2,S2E,S2E1,S2E2,S2E3,S3E9,S3G9,S4E4,S4E9,S4G4,S4G9	
							1	1		

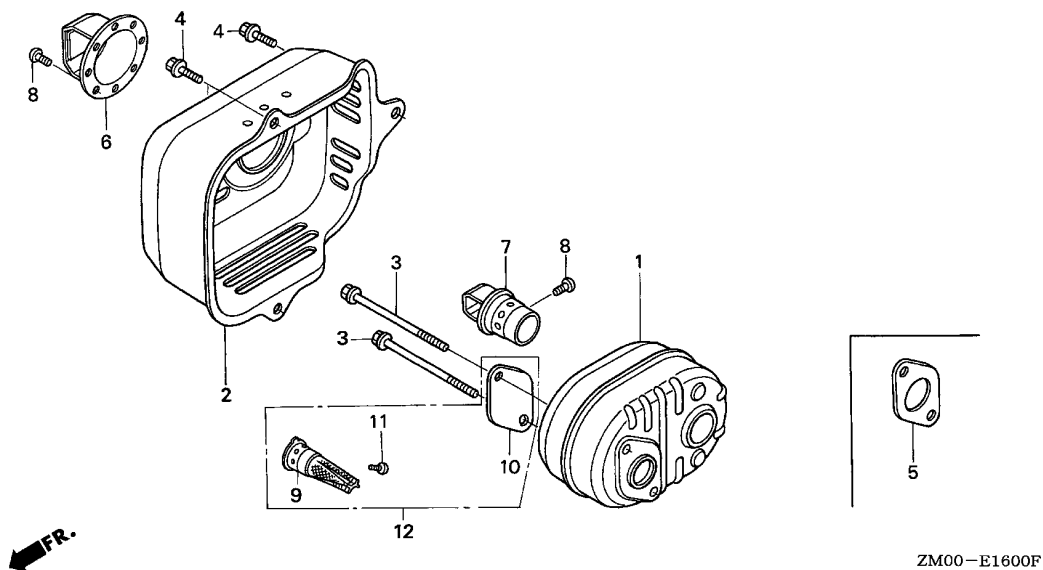
Ref. No.	Part No.	Description	Reqd. QTY						Serial No.	Parts catalogue code	
			GCV 135	GCV 135 E	GCV 160	GCV 160 A	GCV 135 A	GCV 160 E			
3	17220-ZM0-000	CASE ASSY., AIR CLEANER	1	-	1	1	1	1	-----	-----	A1E,A1E7,A1E8,A1G9,A2E,A2E7,A2E8,A2E9,A2G,A2G4,A2G7,A2G9,A2R,A3G9,A4G4,A4G7,A4G9,A7E1,N1E,N1G,N1S,N1S7,N1U,N1W,N1W7,N1W8,N2E,N2E1,N2E3,N2E7,N2E8,N2E9,N2KA,N2KE,N7E1,N7E2,S2E,S2E1
	17220-ZM0-010	-	1	-	-	-	-	-----	-----	S2E2,S2E3,S3E9,S3G9,S4E4,S4E9,S4G4,S4G9
5	17228-ZM0-000	PACKING, AIR CLEANER	1	1	1	1	1	1	-----	-----	
6	17231-ZM0-000	COVER, AIR CLEANER	1	-	1	-	-	-	-----	-----	A1D,A1E1,A1J,A1U,A2D,A2E1,A2U,A4E,N1E,N2D,N2E2
			1	-	-	-	-	-	-----	-----	A3E,N1E1,N2E3
			1	-	-	-	-	-	1623839	-----	A1A,A1C,A1E,A1E7,A1E8,A2A,A2C,A2E,A2E4,A2E7,A2E8,A2E9,A2G,A2G7,A2R,A7E1,N1D,N1G,N1S,N1S7,N1U,N1W,N1W1,N1W7,N1W8,N2E,N2E1,N2E7,N2E8,N2E9,N2U,N7E1,N7E2
			-	-	1	-	-	-	2425659	-----	A1A,A1C,A1E,A1E7,A1E8,A1G7,A1P,A1W2,A1W7,A2A,A2C,A2E,A2E4,A2E7,A2E8,A2E9,A2G7,A2R,A3E,A7E1,N1,N1D,N1E1,N1E2,N1E7,N1R,N1U,N1W,N1W1,N1W2,N1W7,N1W8,N1W9,N2,N2E,N2E1,N2E3,N2E7,N2E8,N2E9,N2U,N3U,N3V,N7A1
	17231-Z0L-000	-	1	-	-	-	-	-----	-----	A2G,N1G
	17231-ZM0-010	1	-	-	-	-	-	1623840	1623932	A1A,A1C,A1E,A1E7,A1E8,A2A,A2C,A2E,A2E4,A2E7,A2E8,A2E9,A2G,A2G7,A2R,A7E1,N1D,N1G,N1S,N1S7,N1U,N1W,N1W1,N1W7,N1W8,N2E,N2E1,N2E7,N2E8,N2E9,N2U,N7E1,N7E2
			-	-	1	-	-	-	2440414	-----	N1J1
			-	-	1	-	-	-	2425660	2440414	A1A,A1C,A1E,A1E7,A1E8,A1G7,A1P,A1W2,A1W7,A2A,A2C,A2E,A2E4,A2E7,A2E8,A2E9,A2G7,A2R,A3E,A7E1,N1,N1D,N1E1,N1E2,N1E7,N1R,N1U,N1W,N1W1,N1W2,N1W7,N1W8,N1W9,N2,N2E,N2E1,N2E3,N2E7,N2E8,N2E9,N2U,N3U,N3V,N7A1
	17231-ZM0-020	1	-	-	-	-	-	1623933	-----	A1A,A1C,A1E,A1E7,A1E8,A2A,A2C,A2E,A2E4,A2E7,A2E8,A2E9,A2G,A2G7,A2R,A7E1,N1D,N1G,N1S,N1S7,N1U,N1W,N1W1,N1W7,N1W8,N2E,N2E1,N2E7,N2E8,N2E9,N2U,N7E1,N7E2
			-	-	1	-	-	-	2440415	-----	A1A,A1C,A1E,A1E7,A1E8,A1G7,A1P,A1W2,A1W7,A2A,A2C,A2E,A2E4,A2E7,A2E8,A2E9,A2G7,A2R,A3E,A7E1,N1,N1D,N1E1,N1E2,N1E7,N1J1,N1R,N1U,N1W,N1W1,N1W2,N1W7,N1W8,N1W9,N2,N2E,N2E1,N2E3,N2E7,N2E8,N2E9,N2U,N3U,N3V,N7A1
	17231-Z0L-030	-	1	-	-	-	-	-----	-----	A1E,A1E7,A1E8,A1G9,A2E,A2E7,A2E8,A2E9,A2G4,A2G7,A2G9,A2R,A3G9,A4G4,A4G7,A4G9,A7E1,N1E,N1S,N1S7,N1U,N1W,N1W7,N1W8,N2E,N2E1,N2E3,N2E7,N2E8,N2E9,N2KA,N2KE,N7E1,N7E2,S2E,S2E1,S2E2,S2E3,S3E9,S3G9,S4E4,S4E9,S4G4,S4G9
7	90003-ZM0-000	BOLT, FLANGE, 6X86(CT200) ...	2	2	2	2	2	2			
8	95701-06014-08	BOLT, FLANGE, 6X14	1	1	1	1	1	1			





Ref. No.	L.O.N.	(Relative ref. Number) Description	F.R.T.
1	3131C5	MUFFLER, EXHAUST	0.2
2	3131D6	PROTECTOR, EXHAUST MUFFLER ...	0.1
5	3131B4	GASKET, EXHAUST MUFFLER	0.2
7	3131A8	DEFLECTOR, EXHAUST MUFFLER ...	0.1
9	3131A1	ARRESTER, SPARK	0.1
		.INCLUDES: Spark arrester check	
12	3131A0	ARRESTER KIT, SPARK	0.1

Ref. No.	Part No.	Description	Reqd. QTY						Serial No.	Parts catalogue code
			GCV 135	GCV 135 E	GCV 160	GCV 160 A	GCV 135 A	GCV 160 E		
1	18310-ZM0-000	MUFFLER COMP.	1	1	1	1	1	1		
2	18321-ZL8-A00	PROTECTOR, MUFFLER (BLACK) ..	1	1	1	-	-	1	-----	-----
	18321-ZL8-000	PROTECTOR, MUFFLER	1	1	1	-	-	1	-----	-----
									-----	A1P,A2G,N1G,N1S,N1S7 A1AE,BHH,S3A 2307311
									-----	A1A,A1C,A1D,A1E,A1E1,A1E7,A1E8,A1G7,A1G9,A1J,A1U,A1W2 A1W7,A2A,A2A9,A2C,A2D,A2E,A2E1,A2E4,A2E7,A2E8,A2E9 A2G4,A2G7,A2G9,A2R,A2U,A3E,A3E7,A3E9,A3G9,A3T9,A3W7 A3W8,A4E,A4G4,A4G7,A4G9,N1,N1D,N1E,N1E1,N1E2,N1E7,N1J1 N1R,N1T8,N1T9,N1U,N1W,N1W1,N1W2,N1W7,N1W8,N1W9,N2,N2D N2E,N2E1,N2E2,N2E3,N2E7,N2E8,N2E9,N2KA,N2KE,N2U,N3T8 N3T9,N3U,N3V,N3W9,S1E1,S2E,S2E1,S2E2,S2E3,S3E9,S3G9 S4E4,S4E9,S4G4,S4G9
	18320-ZOM-780	PROTECTOR COMP., MUFFLER	1	1	1	1	-	1	-----	-----
	18321-ZOL-J00	PROTECTOR, MUFFLER	-	-	-	1	-	-	-----	-----
	18321-ZOL-000	-	-	-	1	-	-	-----	-----
									-----	A7E1,N7A1,N7E1,N7E2,N7S1 BHH1,EHNB,NBL1,RTL1,R3A,STA1,STL1,S1M,S3H,S3H2 2307312
									-----	A1AE,BHH,S3A A1A,A1AF,A1AS,A1C,A1E,A1E7,A1E8,A1M,A1W7,A2A,A2C,A2E7 A2E8,A2E9,A2G7,A2R,A3A,A3E,C1E,C1E1,C2E,C2E1,C3E,C3E1 C4E,C4E1,E1A2,E1A4,E1G7,E2G7,E5A4,N1A,N1AF,N1C,N1E1 N1E7,N1L,N1R,N1U,N1W7,N1W8,N1W9,N2E7,N2E8,N2E9,N2U,N3U N3V,N5A,N5AF,N5C,N5MF,N5R,R1A,R3A1,S1A,S1A1,S2G7,S3A2
3	90004-ZL8-000	BOLT, FLANGE, 6X79(CT200) ...	2	2	2	2	2	2		
4	90013-883-000	BOLT, FLANGE, 6X12(CT200) ...	3	3	3	3	3	3		
5	18381-ZL8-305	GASKET, MUFFLER	(1)	(1)	(1)	(1)	(1)	(1)		
6	18348-ZL8-000	CAP, MUFFLER	1	1	1	1	-	1	-----	-----
7	18430-ZL8-000	DEFLECTOR COMP., MUFFLER	1	1	1	1	-	1	-----	-----
8	90055-ZE1-000	SCREW, TAPPING, 4X6	4	4	4	4	-	4	-----	-----
									-----	A1E1,A2E1,N1E1,N2E1,N2E3,N2E8,N2E9 A1E1,A2E1,N1E1,N2E1,N2E3,N2E8,N2E9 A1E1,A2E1,N1E1,N2E1,N2E3,N2E8,N2E9

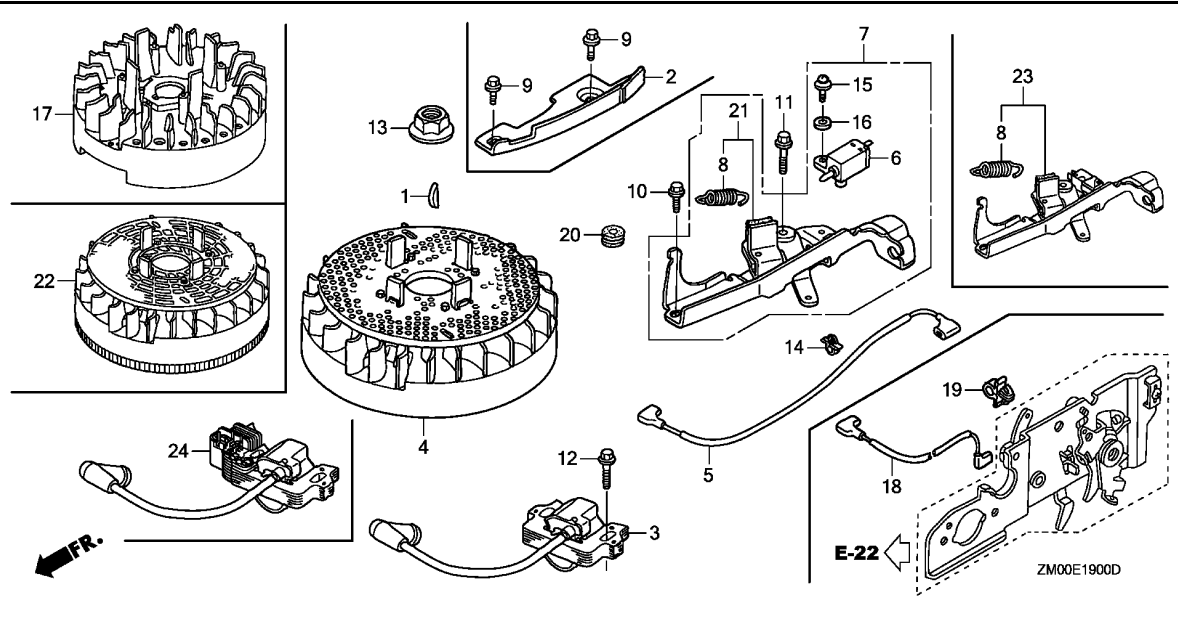


Ref. No.	Part No.	Description	Reqd. QTY						Serial No.	Parts catalogue code
			GCV 135 E	GCV 135	GCV 160	GCV 160 A	GCV 135 A	GCV 160 E		
9	18350-ZL8-000	ARRESTER COMP., SPARK	1 (1)	1 (1)	1 (1)	1 (1)	-	1 (1)	-----	A1E8,A2E8,A3T9,A3W7,A3W8,N1T8,N1T9,N3T8,N3T9,N3W8,N3W9 A1A,A1AE,A1AF,A1AS,A1C,A1M,A2A,A2A9,A2C,A2R,A3A,BHH EHHB,E1A2,E1A4,E5A4,NBL1,N1A,N1AF,N1C,N1L,N2KA,N2KE N5A,N5AF,N5C,N5MF,N5R,N7A1,N7S1,RTL1,R1A,R3A,R3A1,STA1 STL1,S1A,S1A1,S1M,S3A,S3A2,S3H,S3H2
10	18356-ZL8-000	PLATE, ARRESTER NUMBER	-	-	-	-	(1)	-	-----	A1A,A1AE,A1AF,A1AS,A1C,A1M,A2A,A2A9,A2C,A2R,A3A,BHH EHHB,E1A2,E1A4,E5A4,NBL1,N1A,N1AF,N1C,N1L,N2KA,N2KE N5A,N5AF,N5C,N5MF,N5R,N7A1,N7S1,RTL1,R1A,R3A,R3A1,STA1 STL1,S1A,S1A1,S1M,S3A,S3A2,S3H,S3H2
11	90055-ZE1-000	SCREW, TAPPING, 4X6	1 (1)	1 (1)	1 (1)	1 (1)	-	1 (1)	-----	A1E8,A2E8,A3T9,A3W7,A3W8,N1T8,N1T9,N3T8,N3T9,N3W8,N3W9 A1A,A1AE,A1AF,A1AS,A1C,A1M,A2A,A2A9,A2C,A2R,A3A,BHH EHHB,E1A2,E1A4,E5A4,NBL1,N1A,N1AF,N1C,N1L,N2KA,N2KE N5A,N5AF,N5C,N5MF,N5R,N7A1,N7S1,RTL1,R1A,R3A,R3A1,STA1 STL1,S1A,S1A1,S1M,S3A,S3A2,S3H,S3H2
12	06180-Z0J-000	ARRESTER KIT, SPARK	-	-	-	(1)	-	-	-----	A1A,A1AE,A1AF,A1AS,A2A,A2R,A3A,BHH,EHHB,E1A2,E1A4,E5A4 NBL1,N1A,N1AF,N1C,N5A,N5AF,N5C,N5MF,N5R,N7A1,N7S1,RTL1 R1A,R3A,R3A1,STA1,STL1,S1A,S1A1,S1M,S3A,S3A2,S3H

E-19

FLYWHEEL(1)

G14



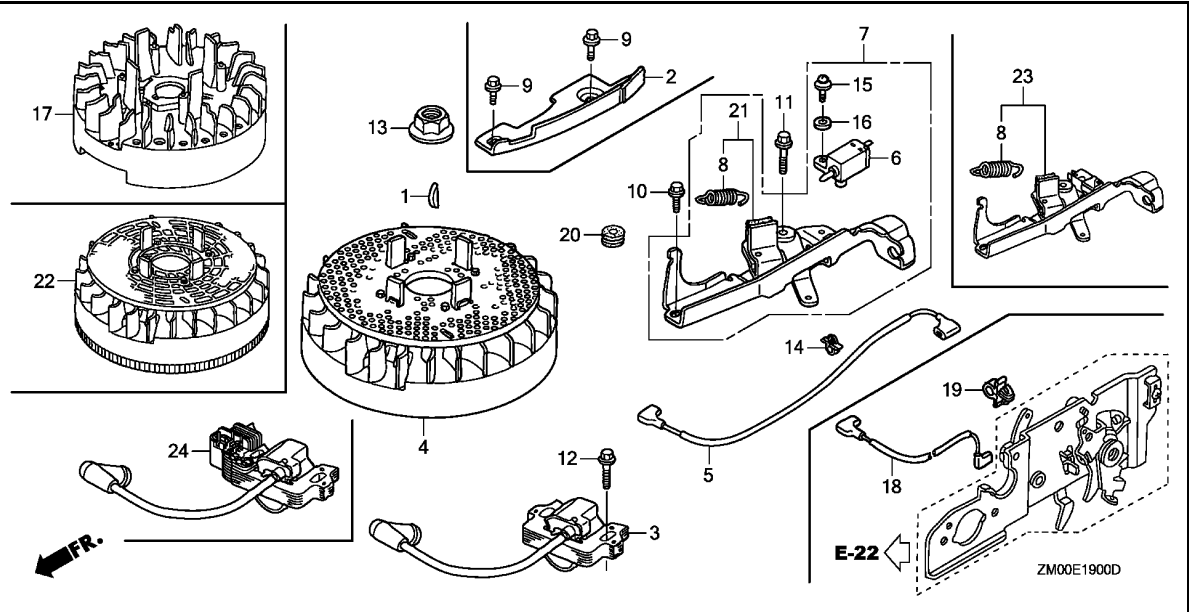
Ref. No.	L.O.N.	(Relative ref. Number) Description	F.R.T.	
2	1121A7	PLATE, SIDE	0.3	
3		(24)		
4	6141A5	COIL, IGNITION(ONE)	0.2	
		(17,22)		
5	2161B5	FLYWHEEL	0.3	
		(18)		
6	6111B3	CORD, STOP SWITCH	0.1	
7	6151D9	SWITCH, ENGINE STOP	0.1	
		(23)		
8	6141A0	BRAKE ASSEMBLY, ENGINE STOP ..	0.3	
		4151E0	SPRING, BRAKE LEVER	0.2

2

Ref. No.	Part No.	Description	Reqd. QTY						Serial No.	Parts catalogue code
			GCV 135	GCV 135 E	GCV 160	GCV 160 A	GCV 135 A	GCV 160 E		
1	13331-357-000	KEY, SPECIAL WOODRUFF, 25X18	1	1	1	-	1	1		A1A,A1AE,A1AF,A1AS,A1C,A1E,A1E7,A1E8,A1M,A1W7,A2A,A2C,A2E7,A2E8,A2E9,A2G7,A2R,A3A,A3E,A7E1,BHH,BHH1,C1E,C1E1,C2E,C2E1,C3E,C3E1,C4E,C4E1,EHBB,E1A2,E1A4,E1G7,E2G7,E5A4,N1A,N1AF,N1C,N1E1,N1E7,N1L,N1R,N1U,N1W7,N1W8,N1W9,N2E7,N2E8,N2E9,N2U,N3U,N3V,N5A,N5AF,N5C,N5MF,N5R,N7A1,N7S1,RTL1,R1A,R3A,R3A1,STA1,S1A,S1A1,S1M,S2G7,S3A,S3A2,S3H,S3H2
2	19612-ZM0-000	PLATE, SIDE	1	-	1	-	-	-		N2D
			1	-	-	-	-	-	1623727	A2R,N1D,N1U,N2U
			-	-	1	-	-	-	2340423	A2R,N1D,N1U,N2U,N3U,N3V
	19612-ZM0-J20	1	1	1	1	-	1	1360691	A2R,N1A,N1C,N1U,N2U,N3V,N5A,N5C
			1	1	1	-	-	1		BHH1,N1E,N1E2,N1G,N1J1,N1W,N1W1,N1W2,N2E,N2E1,N2E2,N2E3,N7E1,N7E2
			1	1	1	-	-	1		N1E1,N1E7,N1R,N1W7,N1W8,N1W9,N2E7,N2E8,N2E9,N7A1
			1	-	-	-	-	-	1623728	A2R,N1D,N1U,N2U
			-	1	-	-	-	1		A2R,N1D,N1T8,N1T9,N1U,N2KA,N2KE,N3T8,N3T9,N3W8,N3W9
			-	-	1	-	-	-	2340424	A2R,N1D,N1U,N2U,N3U,N3V
			-	-	-	1	-	-	5008780	BHH,N1AF,N1E1,N1E7,N1L,N1R,N1W7,N1W8,N1W9,N2E7,N2E8,N2E9,N3U,N5AF,N7A1,N7S1
			-	-	-	1	-	-	1360692	5008780 A2R,N1A,N1C,N1U,N2U,N3V,N5A,N5C
	19612-Z0L-000	-	-	-	-	1	-		EHBB,N5MF,N5R
			-	-	-	1	-	-	5008781	A2R,BHH,N1A,N1AF,N1C,N1E1,N1E7,N1L,N1R,N1U,N1W7,N1W8,N1W9,N2E7,N2E8,N2E9,N2U,N3U,N3V,N5A,N5AF,N5C,N7A1,N7S1

Ref. No.	Part No.	Description	Reqd. QTY						Serial No.	Parts catalogue code
			GCV 135	GCV 135 E	GCV 160	GCV 160 A	GCV 135 A	GCV 160 E		
3	30500-Z0J-003	COIL ASSY., IGNITION (PHELON) (USE FOR F/W OF PHELON)	-	-	-	1	-	-	-----	A2R,BHH,BHH1,EHBB,E1A2,E1A4,E1G7,E2G7,E5A4,N1A,N1AF,N1C,N1E1,N1E7,N1L,N1W7,N1W8,N1W9,N2E7,N2E8,N2E9,N5A,N5AF,N5C,N5MF,N5R,RTL1,R1A,R3A,R3A1
			-	-	-	1	-	-	3092797	A1A,A1AE,A1AF,A1AS,A1C,A1E,A1E7,A1E8,A1W7,A2A,A2C,A2E7,A2E8,A2E9,A2G7,A3A,A3E,A7E1,N1R,N1U,N2U,N3U,N3V,N7A1,STA1,S1A,S1A1,S3A
	30500-ZL8-004	COIL ASSY., IGNITION (TEC) (USE FOR F/W OF TEC)	1	-	1	-	1	-	-----	A1G9,A1M,A2G4,A2G9,N7S1,S1M,S2E,S2E1,S2G7,S3A2,S3H,S3H2
			-	1	-	-	-	1	-----	A1E,A1E7,A1E8,A1G7,A1P,A1W7,A2A9,A2E,A2E7,A2E8,A2E9,A2G,A2G7,A2R,A3E7,A3E9,A3T9,A3W7,A3W8,A7E1,N1D,N1E,N1E1,N1E2,N1E7,N1G,N1J1,N1R,N1S,N1S7,N1T8,N1T9,N1U,N1W,N1W7,N1W8,N1W9,N2E,N2E1,N2E3,N2E7,N2E8,N2E9,N2KA,N2KE,N3T8,N3T9,N3W8,N3W9,N7A1,N7E1,N7E2,S1E1
			-	-	-	1	-	-	3092798	A1A,A1AE,A1AF,A1AS,A1C,A1E,A1E7,A1E8,A1W7,A2A,A2C,A2E7,A2E8,A2E9,A2G7,A3A,A3E,A7E1,N1R,N1U,N2U,N3U,N3V,N7A1,STA1,S1A,S1A1,S3A
	30500-ZL8-014	-	-	-	-	-	1	-----	S2E3
			-	1	-	-	-	1	-----	A3G9,A4G4,A4G7,A4G9,S2E2,S3E9,S3G9,S4E4,S4E9,S4G4,S4G9
			-	1	-	-	-	-	-----	S2E3
4	31105-ZM1-000	FLYWHEEL ASSY. (TEC) (USE FOR IGN. COIL OF TEC)	1	1	-	-	-	-	-----	A1A,A1C,A1D,A1E,A1E1,A1E7,A1E8,A1G9,A1J,A1U,A2A,A2C,A2D,A2E,A2E1,A2E4,A2E7,A2E8,A2E9,A2G4,A2G7,A2G9,A2U,A3E,A3G9,A4E,A4G4,A4G7,A4G9,A7E1,N1D,N1S,N1S7,N1U,N2D,N2U,N7E1,S2E,S2E1,S2E2,S2E3,S3E9,S3G9,S4E4,S4E9,S4G4,S4G9
	31105-ZL8-000	1	1	1	-	-	1	-----	N1G,N1T8,N1T9,N1W2,N1W9,N3T8,N3T9,N3W8,N3W9
	31105-ZM1-V20	-	-	1	-	-	1	-----	N1W,N1W1,N1W7,N1W8
	31105-Z0J-010	FLYWHEEL ASSY. (PHELON) (USE FOR IGN. COIL OF PHELON)	1	1	-	-	-	-	-----	N1W,N1W1,N1W7,N1W8,N7E2
	31105-Z0L-010	-	-	-	1	-	-	3092797	BHH,BHH1,N1W7,N1W8,N1W9
			-	-	-	1	-	-	-----	A1A,A1AE,A1AF,A1AS,A1C,A1E,A1E7,A1E8,A1W7,A2A,A2C,A2E7,A2E8,A2E9,A2G7,A3A,A3E,A7E1,N1R,N1U,N2U,N3U,N3V,N7A1,STA1,S1A,S1A1,S3A
	31105-ZM0-000	FLYWHEEL ASSY. (TEC) (USE FOR IGN. COIL OF TEC)	1	1	1	1	-	1	-----	A1G7,A1M,A1P,A2G,N1J1,N7S1,S1M,S2G7,S3A2,S3H,S3H2
			-	-	1	-	-	1	-----	A1A,A1C,A1E,A1E7,A1E8,A1G9,A1J,A1U,A1W2,A1W7,A2A,A2A9,A2C,A2E,A2E4,A2E7,A2E8,A2E9,A2G4,A2G7,A2G9,A2U,A3E,A3E7,A3E9,A3G9,A3T9,A3W7,A3W8,A4E,A4G4,A4G7,A4G9,A7E1,N1,N1D,N1R,N1U,N2,N2D,N2U,N3U,N3V,N7A1,S1E1,S2E,S2E1,S2E2,S2E3,S3E9,S3G9,S4E4,S4E9,S4G4,S4G9
			-	-	-	1	-	-	3092798	A1A,A1AE,A1AF,A1AS,A1C,A1E,A1E7,A1E8,A1W7,A2A,A2C,A2E7,A2E8,A2E9,A2G7,A3A,A3E,A7E1,N1R,N1U,N2U,N3U,N3V,N7A1,STA1,S1A,S1A1,S3A
5	32195-ZM0-000	CORD, STOP SWITCH	1	1	1	1	-	1	-----	A1A,A1D,A1E1,A1G7,A1G9,A1J,A1P,A1U,A1W2,A2A9,A2D,A2E,A2E1,A2E4,A2G,A2G4,A2G9,A2U,A3E7,A3E9,A3G9,A3T9,A3W7,A3W8,A4E,A4G4,A4G7,A4G9,N1,N1S,N1S7,N2,S2E2,S2E3,S3E9,S3G9,S4E4,S4E9,S4G4,S4G9
			1	1	1	-	-	1	-----	A1C,A1E,A1E7,A1E8,A1W7,A2A,A2C,A2E7,A2E8,A2E9,A2G7,A3E,A7E1
	32195-ZM0-800	1	-	1	1	-	-	-----	A2R,N1C,N5A,N5C,STA1,S1A,S1A1,S3A,S3H2
			-	1	-	-	-	1	-----	S1E1,S2E,S2E1
	32195-Z0L-000	-	-	-	1	-	-	-----	A1AE,A1AF,A1AS,A1C,A1E,A1E7,A1E8,A1M,A1W7,A2C,A2E7,A2E8,A2E9,A2G7,A3A,A3E,A7E1,S1M,S2G7,S3A2,S3H





Ref. No.	Part No.	Description	Reqd. QTY						Serial No.	Parts catalogue code
			GCV 135	GCV 135 E	GCV 160	GCV 160 A	GCV 135 A	GCV 160 E		
6	35120-ZM0-003	SWITCH ASSY., ENGINE STOP (N.C)	1	1	1	1	-	1	-----	A1A,A1AE,A1AF,A1AS,A1C,A1D,A1E,A1E1,A1E7,A1E8,A1G7,A1G9,A1J,A1M,A1P,A1U,A1W2,A1W7,A2A,A2A9,A2C,A2D,A2E,A2E1,A2E4,A2E7,A2E8,A2E9,A2G,A2G4,A2G7,A2G9,A2U,A3A,A3E,A3E7,A3E9,A3G9,A3T9,A3W7,A3W8,A4E,A4G4,A4G7,A4G9,A7E1,N1,N1S,N1S7,N2,STA1,S1A,S1A1,S1E1,S1M,S2E,S2E1,S2E2,S2E3,S2G7,S3A,S3A2,S3E9,S3G9,S3H,S3H2,S4E4,S4E9,S4G4,S4G9
7	75100-ZM0-000	BRAKE ASSY.	1	1	1	1	-	1	-----	A1A,A1AE,A1AF,A1AS,A1C,A1D,A1E,A1E1,A1E7,A1E8,A1G7,A1G9,A1J,A1M,A1P,A1U,A1W2,A1W7,A2A,A2A9,A2C,A2D,A2E,A2E1,A2E4,A2E7,A2E8,A2E9,A2G,A2G4,A2G7,A2G9,A2U,A3A,A3E,A3E7,A3E9,A3G9,A3T9,A3W7,A3W8,A4E,A4G4,A4G7,A4G9,A7E1,N1,N1S,N1S7,N2,S1M,S2E2,S2E3,S2G7,S3A2,S3E9,S3G9,S3H,S4E4,S4E9,S4G4,S4G9
8	75113-ZM0-000	SPRING, BRAKE LEVER	1	1	1	1	-	1	-----	A1A,A1AE,A1AF,A1AS,A1C,A1D,A1E,A1E1,A1E7,A1E8,A1G7,A1G9,A1J,A1M,A1P,A1U,A1W2,A1W7,A2A,A2A9,A2C,A2D,A2E,A2E1,A2E4,A2E7,A2E8,A2E9,A2G,A2G4,A2G7,A2G9,A2U,A3A,A3E,A3E7,A3E9,A3G9,A3T9,A3W7,A3W8,A4E,A4G4,A4G7,A4G9,A7E1,C1E,C1E1,C2E,C2E1,C3E,C3E1,C4E,C4E1,E1A2,E1G7,E2G7,N1,N1S,N1S7,N2,RTL1,R1A,R3A,R3A1,STA1,S1A,S1A1,S1E1,S1M,S2E,S2E1,S2E2,S2E3,S2G7,S3A,S3A2,S3E9,S3G9,S3H,S3H2,S4E4,S4E9,S4G4,S4G9
9	90013-883-000	BOLT, FLANGE, 6X12(CT200) ...	2	2	2	2	-	2	-----	A2R,BHH,BHH1,EHHB,N1A,N1AF,N1C,N1D,N1E,N1E1,N1E2,N1E7,N1G,N1J1,N1L,N1R,N1T8,N1T9,N1U,N1W,N1W1,N1W2,N1W7,N1W8,N1W9,N2D,N2E,N2E1,N2E2,N2E3,N2E7,N2E8,N2E9,N2KA,N2KE,N2U,N3T8,N3T9,N3U,N3V,N3W8,N3W9,N5A,N5AF,N5C,N5MF,N5R,N7A1,N7E1,N7E2,N7S1
			-	-	-	-	-	2	-	

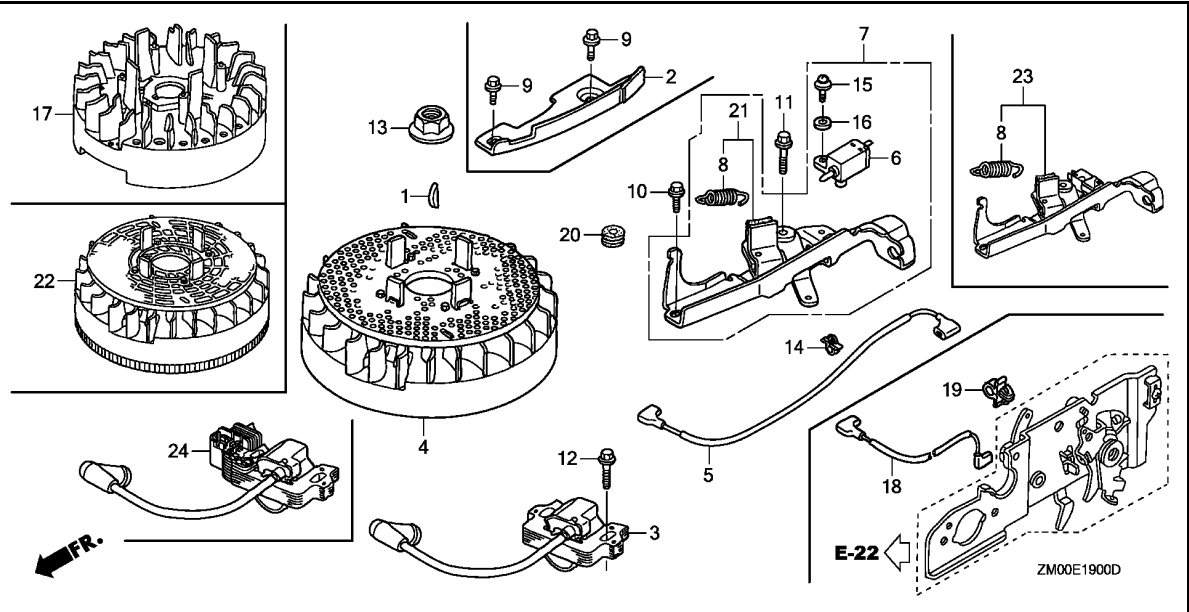


Ref. No.	Part No.	Description	Reqd. QTY						Serial No.	Parts catalogue code
			GCV 135 E	GCV 135 A	GCV 160 A	GCV 160 A	GCV 135 A	GCV 160 E		
10	90014-952-000	BOLT, FLANGE, 6X14(CT200) ...	1	1	1	1	-	1	-----	A1A,A1AE,A1AF,A1AS,A1C,A1D,A1E,A1E1,A1E7,A1E8,A1G7,A1G9,A1J,A1M,A1P,A1U,A1W2,A1W7,A2A,A2A9,A2C,A2D,A2E,A2E1,A2E4,A2E7,A2E8,A2E9,A2G,A2G4,A2G7,A2G9,A2U,A3A,A3E,A3E7,A3E9,A3G9,A3T9,A3W7,A3W8,A4E,A4G4,A4G7,A4G9,A7E1,C1E,C1E1,C2E,C2E1,C3E,C3E1,C4E,C4E1,E1A2,E1G7,E2G7,N1,N1S,N1S7,N2,RTL1,R1A,R3A,R3A1,STA1,S1A,S1A1,S1E1,S1M,S2E,S2E1,S2E2,S2E3,S2G7,S3A,S3A2,S3E9,S3G9,S3H,S3H2,S4E4,S4E9,S4G4,S4G9
11	90002-ZOL-820	BOLT, FLANGE, 6X23(CT200) ...	-	-	-	1	-	-	-----	C1E,C1E1,C2E,C2E1,C3E,C3E1,C4E,C4E1,E1A2,E1G7,E2G7,RTL1,R1A,R3A,R3A1
	90018-ZE1-000	1	1	1	1	-	1	-----	A1A,A1AE,A1AF,A1AS,A1C,A1D,A1E,A1E1,A1E7,A1E8,A1G7,A1G9,A1J,A1M,A1P,A1U,A1W2,A1W7,A2A,A2A9,A2C,A2D,A2E,A2E1,A2E4,A2E7,A2E8,A2E9,A2G,A2G4,A2G7,A2G9,A2U,A3A,A3E,A3E7,A3E9,A3G9,A3T9,A3W7,A3W8,A4E,A4G4,A4G7,A4G9,A7E1,N1,N1S,N1S7,N2,STA1,S1A,S1A1,S1E1,S1M,S2E,S2E1,S2E2,S2E3,S2G7,S3A,S3A2,S3E9,S3G9,S3H,S3H2,S4E4,S4E9,S4G4,S4G9
12	90022-888-010	BOLT, FLANGE, 6X20(CT200) ...	1	1	1	-	1	1	-----	A1A,A1AE,A1AF,A1AS,A1C,A1E,A1E7,A1E8,A1M,A1W7,A2A,A2C,A2E7,A2E8,A2E9,A2G7,A2R,A3A,A3E,A7E1,BHH,BHH1,C1E,C1E1,C2E,C2E1,C3E,C3E1,C4E,C4E1,EHBB,E1A2,E1A4,E1G7,E2G7,E5A4,N1A,N1AF,N1C,N1E1,N1E7,N1L,N1R,N1U,N1W7,N1W8,N1W9,N2E7,N2E8,N2E9,N2U,N3U,N3V,N5A,N5AF,N5C,N5MF,N5R,N7A1,N7S1,RTL1,R1A,R3A,R3A1,STA1,S1A,S1A1,S1M,S2G7,S3A,S3A2,S3H,S3H2
13	90201-878-003	NUT, SPECIAL, 14MM	1	1	1	-	1	1	-----	A1A,A1AE,A1AF,A1AS,A1C,A1E,A1E7,A1E8,A1M,A1W7,A2A,A2C,A2E7,A2E8,A2E9,A2G7,A2R,A3A,A3E,A7E1,BHH,BHH1,C1E,C1E1,C2E,C2E1,C3E,C3E1,C4E,C4E1,EHBB,E1A2,E1A4,E1G7,E2G7,E5A4,N1A,N1AF,N1C,N1E1,N1E7,N1L,N1R,N1U,N1W7,N1W8,N1W9,N2E7,N2E8,N2E9,N2U,N3U,N3V,N5A,N5AF,N5C,N5MF,N5R,N7A1,N7S1,RTL1,R1A,R3A,R3A1,STA1,S1A,S1A1,S1M,S2G7,S3A,S3A2,S3H,S3H2
14	90681-959-003	CLIP A, CABLE (NIFCO) (3.8MM BLACK)	1	1	1	1	-	1	-----	A1A,A1AE,A1AF,A1AS,A1C,A1D,A1E,A1E1,A1E7,A1E8,A1G7,A1G9,A1J,A1M,A1P,A1U,A1W2,A1W7,A2A,A2A9,A2C,A2D,A2E,A2E1,A2E4,A2E7,A2E8,A2E9,A2G,A2G4,A2G7,A2G9,A2U,A3A,A3E,A3E7,A3E9,A3G9,A3T9,A4E,A4G4,A4G7,A4G9,A7E1,E1G7,E2G7,N1,N1A,N1C,N1S,N1S7,N2,N5A,N5C,R1A,R3A,R3A1,STA1,S1A,S1A1,S1E1,S1M,S2E,S2E1,S2E2,S2E3,S2G7,S3A,S3A2,S3E9,S3G9,S3H,S3H2,S4E4,S4E9,S4G4,S4G9
	51125-ZOL-003	HOLDER, WIRE (FASTEX)	1	-	1	1	-	-	-----	A2R
15	93892-04012-00	SCREW-WASHER, 4X12	1	1	1	1	-	1	-----	A1E,A1M,A3E,S1M,S2G7,S3A2,S3H,S3H2
			1	1	1	1	-	1	-----	A1A,A1AE,A1AF,A1AS,A1C,A1D,A1E,A1E1,A1E7,A1E8,A1G7,A1G9,A1J,A1M,A1P,A1U,A1W2,A1W7,A2A,A2A9,A2C,A2D,A2E,A2E1,A2E4,A2E7,A2E8,A2E9,A2G,A2G4,A2G7,A2G9,A2U,A3A,A3E,A3E7,A3E9,A3G9,A3T9,A4E,A4G4,A4G7,A4G9,A7E1,N1,N1S,N1S7,N2,STA1,S1A,S1A1,S1E1,S1M,S2E,S2E1,S2E2,S2E3,S2G7,S3A,S3A2,S3E9,S3G9,S3H,S3H2,S4E4,S4E9,S4G4,S4G9
16	94103-04000	WASHER, PLAIN, 4MM	1	1	1	1	-	1	-----	A1A,A1AE,A1AF,A1AS,A1C,A1D,A1E,A1E1,A1E7,A1E8,A1G7,A1G9,A1J,A1M,A1P,A1U,A1W2,A1W7,A2A,A2A9,A2C,A2D,A2E,A2E1,A2E4,A2E7,A2E8,A2E9,A2G,A2G4,A2G7,A2G9,A2U,A3A,A3E,A3E7,A3E9,A3G9,A3T9,A3W7,A3W8,A4E,A4G4,A4G7,A4G9,A7E1,N1,N1S,N1S7,N2,STA1,S1A,S1A1,S1E1,S1M,S2E,S2E1,S2E2,S2E3,S2G7,S3A,S3A2,S3E9,S3G9,S3H,S3H2,S4E4,S4E9,S4G4,S4G9



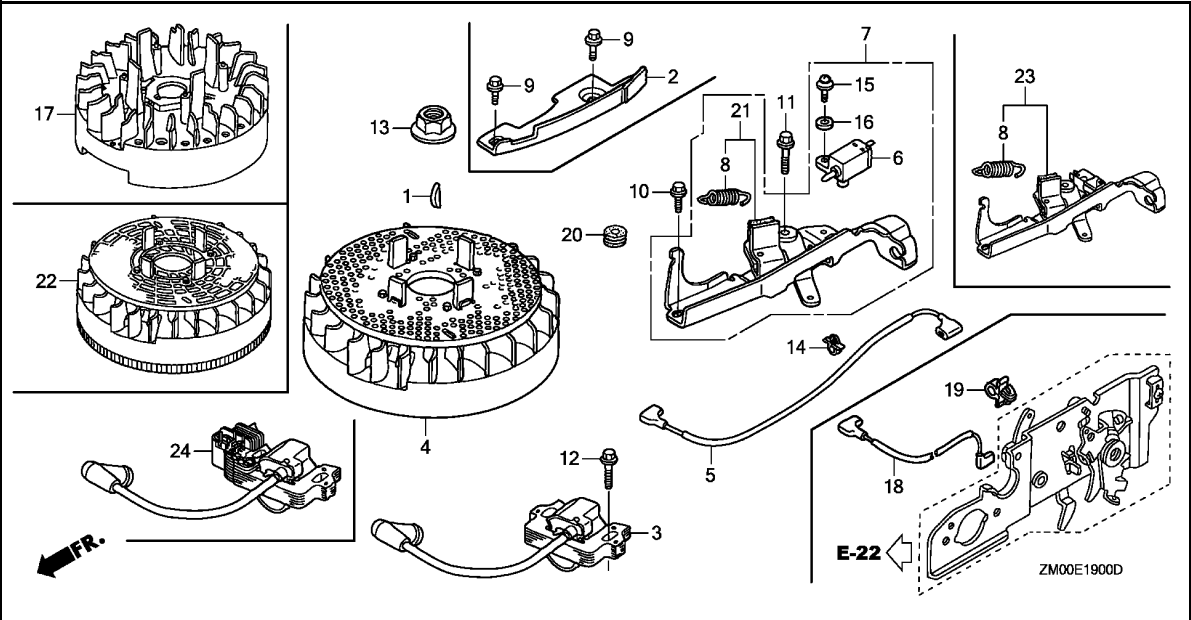
E-19

FLYWHEEL(1)



Ref. No.	Part No.	Description	Reqd. QTY						Serial No.	Parts catalogue code
			GCV 135	GCV 135 E	GCV 160	GCV 160 A	GCV 135 A	GCV 160 E		
17	31110-ZL9-003	FLYWHEEL COMP. (TEC) (USE FOR IGN. COIL OF TEC)	1	1	-	-	-	-	A2R,N1E,N1E1,N2E,N2E1,N2E2,N2E3,N2E7,N2E8,N2E9,N2KA,N2KE	
	31110-ZL8-004	-	-	-	-	1	-	A2R,N1E1,N1E2,N1E7,N2E,N2E1,N2E2,N2E3,N2E7,N2E8,N2E9	
	31110-ZOJ-013	FLYWHEEL COMP. (PHELON) (USE FOR IGN. COIL OF PHELON)	-	-	-	1	-	-	A2R,N1A,N1AF,N1C,N1E1,N1E7,N1L,N2E7,N2E8,N2E9,N5A,N5AF,N5C,N5MF,N5R	
	31110-ZOL-832	-	-	-	1	-	-	E1A4,E5A4	
18	32195-ZMO-800	CORD, STOP SWITCH	1	1	1	1	-	1	BHH,BHH1,N1A,N1D,N1E,N1E1,N1E2,N1E7,N1G,N1J1,N1L,N1R,N1U,N1W,N1W1,N1W2,N1W7,N1W8,N1W9,N2D,N2E,N2E1,N2E2,N2E3,N2E7,N2E8,N2E9,N2U,N3U,N3V,N7A1,N7E1,N7E2,N7S1	
	32195-ZOL-800	-	1	-	-	-	1	A2R,N1T8,N1T9,N2KA,N2KE,N3T8,N3T9,N3W8,N3W9	
	32195-ZOL-800	-	-	-	1	-	-	EHHB	
19	90681-959-003	CLIP A, CABLE (NIFCO) (3.8MM BLACK)	1	1	1	1	-	1	BHH,BHH1,N1D,N1E,N1E1,N1E2,N1E7,N1G,N1J1,N1L,N1R,N1U,N1W,N1W1,N1W2,N1W7,N1W8,N1W9,N2D,N2E,N2E1,N2E2,N2E3,N2E7,N2E8,N2E9,N2U,N3U,N3V,N7A1,N7E1,N7E2,N7S1	
	51125-ZOL-003	HOLDER, WIRE (FASTEX)	-	-	-	-	1	-	A2R,N1T8,N1T9,N2KA,N2KE,N3T8,N3T9,N3W8,N3W9	
20	11344-MBO-000	GROMMET A, RR. COVER (8X16X6.6)	-	1	-	1	-	1	EHHB,N1L,N7S1	
	75110-ZOL-800	BRAKE SUB ASSY.	-	1	-	1	-	1	STA1,S1A,S1A1,S1E1,S2E,S2E1,S3A,S3H2	
22	31105-ZOL-820	FLYWHEEL ASSY. (PHELON) (USE FOR IGN. COIL OF PHELON)	-	-	-	1	-	-	3671989 RTL1	

2

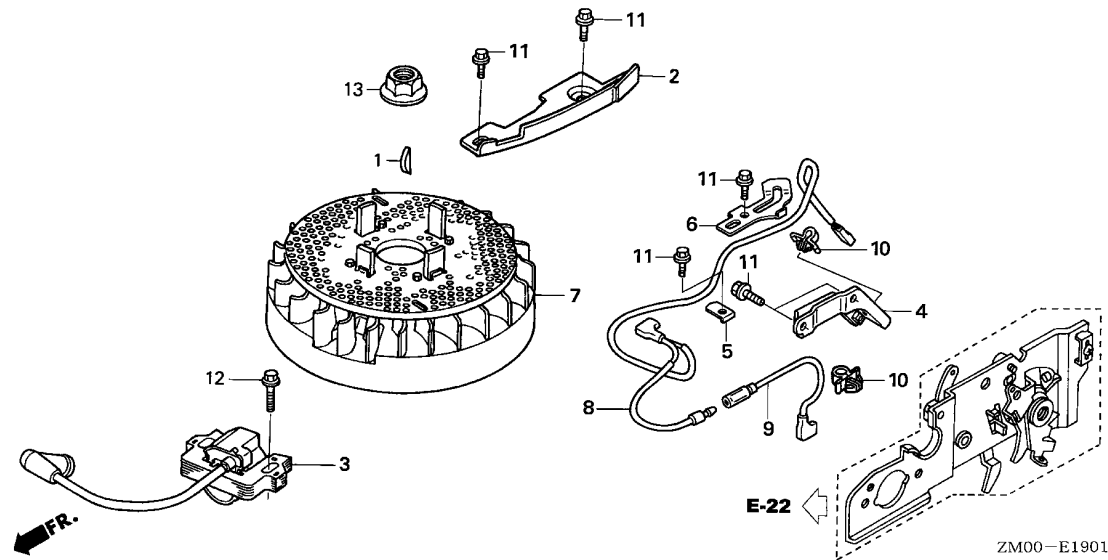


Ref. No.	Part No.	Description	Reqd. QTY						Serial No.	Parts catalogue code	
			GCV 135	GCV 135 E	GCV 160	GCV 160 A	GCV 135 A	GCV 160 E			
22)	31105-ZOL-821	FLYWHEEL ASSY. (PHELON) (USE FOR IGN. COIL OF PHELON)	-	-	-	1	-	-	-----	C1E,C1E1,C2E,C2E1,C3E,C3E1,C4E,C4E1,E1A2,E1G7,E2G7,R1A,R3A,R3A1	
	31105-ZOL-830	-	-	-	1	-	-	3671990	-----	RTL1
	31105-ZOL-831	-	-	-	1	-	-	-----	-----	EHHB
23	75110-ZOL-821	BRAKE SUB ASSY.	-	-	-	1	-	-	-----	-----	EHHB
										-----	C1E,C1E1,C2E,C2E1,C3E,C3E1,C4E,C4E1,E1A2,E1G7,E2G7
24	30500-ZOL-821	COIL ASSY., IGNITION	-	-	-	1	-	-	-----	-----	RTL1,R1A,R3A,R3A1
										-----	C1E,C1E1,C2E,C2E1,C3E,C3E1,C4E,C4E1

E-19-1

FLYWHEEL(2)

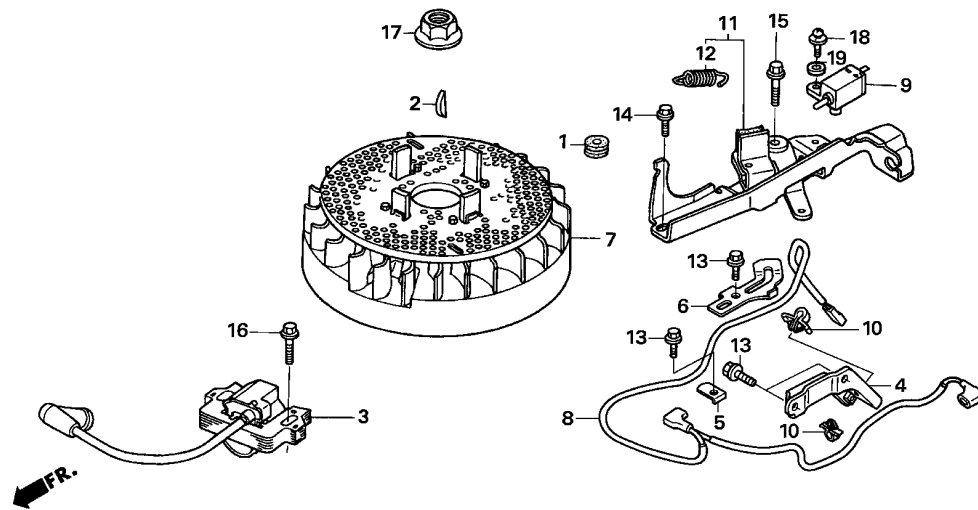
H 4



Ref. No.	L.O.N.	(Relative ref. Number) Description	F.R.T.
2	1121A7	PLATE, SIDE	0.3
3	6141A5	COIL, IGNITION(ONE)	0.2
7	2161B5	FLYWHEEL	0.3
8	6111B3	CORD, STOP SWITCH	0.1

Ref. No.	Part No.	Description	Reqd. QTY						Serial No.	Parts catalogue code
			GCV 135	GCV 135 E	GCV 160	GCV 160 A	GCV 135 A	GCV 160 E		
1	13331-357-000	KEY, SPECIAL WOODRUFF, 25X18	-	-	-	1	-	-	-----	NBL1
2	19612-ZM0-J20	PLATE, SIDE	-	-	-	1	-	-	5008780	NBL1
	19612-Z0L-000	-	-	-	1	-	-	5008781	NBL1
3	30500-Z0J-003	COIL ASSY., IGNITION (PHELON) (USE FOR F/W OF PHELON)	-	-	-	1	-	-	-----	NBL1
4	30547-Z0L-S00	CLAMPER, STOP SWITCH CORD ...	-	-	-	1	-	-	-----	NBL1
5	30548-ZL8-000	CLAMPER, STOP SWITCH CORD ...	-	-	-	1	-	-	-----	NBL1
6	30549-ZL8-000	CLAMPER, CORD	-	-	-	1	-	-	-----	NBL1
7	31105-Z0J-010	FLYWHEEL ASSY. (PHELON) (USE FOR IGN. COIL OF PHELON)	-	-	-	1	-	-	-----	NBL1
8	32195-Z0L-S20	CORD, STOP SWITCH	-	-	-	1	-	-	-----	NBL1
9	32196-Z0L-S20	CORD, STOP SWITCH	-	-	-	1	-	-	-----	NBL1
10	90681-959-003	CLIP A, CABLE (NIFCO)	-	-	-	2	-	-	-----	NBL1
	51125-Z0L-003	HOLDER, WIRE (FASTEX)	-	-	-	2	-	-	-----	NBL1
		(3.8MM BLACK)	-	-	-	2	-	-	-----	NBL1
11	90013-883-000	BOLT, FLANGE, 6X12(CT200) ...	-	-	-	6	-	-	-----	NBL1
12	90022-888-010	BOLT, FLANGE, 6X20(CT200) ...	-	-	-	1	-	-	-----	NBL1
13	90201-878-003	NUT, SPECIAL, 14MM	-	-	-	1	-	-	-----	NBL1

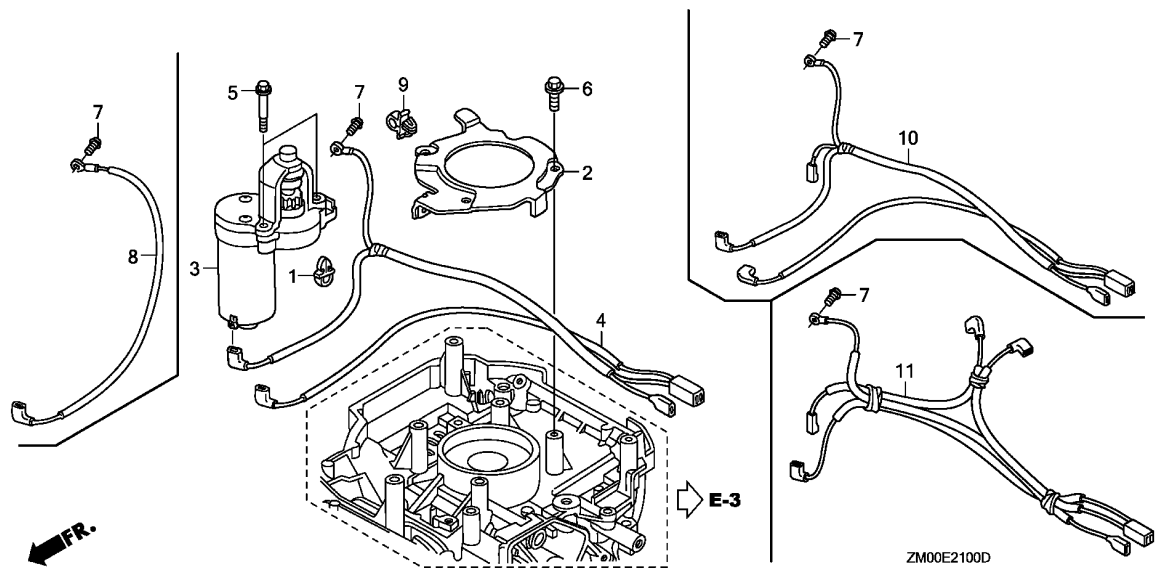
2



ZM00-E1902

Ref. No.	L.O.N.	(Relative ref. Number) Description	F.R.T.
3	6141A5	COIL, IGNITION(ONE)	0.2
7	2161B5	FLYWHEEL	0.3
8	6111B3	CORD, STOP SWITCH	0.1
9	6151D9	SWITCH, ENGINE STOP	0.1
11	2161K1	BRAKE, ENGINE STOP	0.3
12	4151E0	SPRING, BRAKE LEVER	0.2

Ref. No.	Part No.	Description	Reqd. QTY						Serial No.	Parts catalogue code
			GCV 135	GCV 135 E	GCV 160	GCV 160 A	GCV 135 A	GCV 160 E		
1	11344-MB0-000	GROMMET A, RR. COVER (8X16X6.6)	-	-	-	1	-	-	-----	STL1
2	13331-357-000	KEY, SPECIAL WOODRUFF, 25X18	-	-	-	1	-	-	-----	STL1
3	30500-ZL8-004	COIL ASSY., IGNITION (TEC) (USE FOR F/W OF TEC)	-	-	-	1	-	-	-----	STL1
4	30547-Z0L-S00	CLAMPER, STOP SWITCH CORD ...	-	-	-	1	-	-	-----	STL1
5	30548-ZL8-000	CLAMPER, STOP SWITCH CORD ...	-	-	-	1	-	-	-----	STL1
6	30549-ZL8-000	CLAMPER, CORD	-	-	-	1	-	-	-----	STL1
7	31105-ZM0-000	FLYWHEEL ASSY. (TEC) (USE FOR IGN. COIL OF TEC)	-	-	-	1	-	-	-----	STL1
8	32195-Z0L-S00	CORD, STOP SWITCH	-	-	-	1	-	-	-----	STL1
9	35120-ZM0-003	SWITCH ASSY., ENGINE STOP (N.C)	-	-	-	1	-	-	-----	STL1
10	90681-959-003	CLIP A, CABLE (NIFCO) (3.8MM BLACK)	-	-	-	2	-	-	-----	STL1
	51125-Z0L-003	HOLDER, WIRE (FASTEX)	-	-	-	2	-	-	-----	STL1
11	75110-Z0L-800	BRAKE SUB ASSY.	-	-	-	1	-	-	-----	STL1
12	75113-ZM0-000	SPRING, BRAKE LEVER	-	-	-	1	-	-	-----	STL1
13	90013-883-000	BOLT, FLANGE, 6X12(CT200)	-	-	-	4	-	-	-----	STL1
14	90014-952-000	BOLT, FLANGE, 6X14(CT200)	-	-	-	1	-	-	-----	STL1
15	90018-ZE1-000	BOLT, FLANGE, 6X23(CT200)	-	-	-	1	-	-	-----	STL1
16	90022-888-010	BOLT, FLANGE, 6X20(CT200)	-	-	-	1	-	-	-----	STL1
17	90201-878-003	NUT, SPECIAL, 14MM	-	-	-	1	-	-	-----	STL1
18	93892-04012-00	SCREW-WASHER, 4X12	-	-	-	1	-	-	-----	STL1
19	94103-04000	WASHER, PLAIN, 4MM	-	-	-	1	-	-	-----	STL1



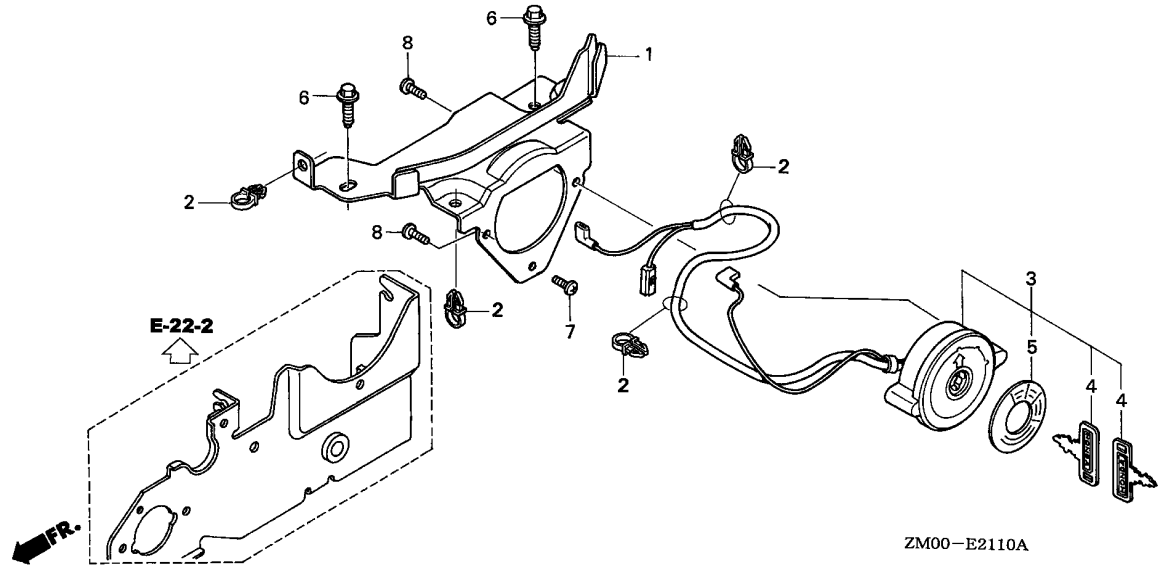
Ref. No.	L.O.N.	(Relative ref. Number) Description	F.R.T.
3	6121D5	MOTOR, STARTER (10,11)	0.2
4	6121D4	CORD, TERMINAL EARTH	0.3

Ref. No.	Part No.	Description	Reqd. QTY						Serial No.	Parts catalogue code
			GCV 135	GCV 135 E	GCV 160	GCV 160 A	GCV 135 A	GCV 160 E		
1	22534-ZOL-820	HOLDER, WIRE	-	-	-	1	-	-	C1E,C1E1,C2E,C2E1,C3E,C3E1,C4E,C4E1,EHBB,E1A2,E1G7,E2G7,RTL1,R1A,R3A,R3A1	
2	30549-ZOL-820	CLAMPER, CORD	-	-	-	1	-	-	C1E,C1E1,C2E,C2E1,C3E,C3E1,C4E,C4E1,EHBB,E1A2,E1A4,E1G7,E2G7,E5A4,RTL1,R1A,R3A,R3A1	
3	31200-ZOL-821	MOTOR ASSY., STARTER	-	-	-	1	-	-	C1E,C1E1,C2E,C2E1,C3E,C3E1,C4E,C4E1,EHBB,E1A2,E1A4,E1G7,E2G7,E5A4,RTL1,R1A,R3A,R3A1	
4	32222-ZOL-820	CORD, TERMINAL EARTH	-	-	-	1	-	-	E1A2,E1G7,E2G7,R1A,R3A,R3A1	
5	90001-ZOL-820	BOLT, SPECIAL, 6MM	-	-	-	2	-	-	C1E,C1E1,C2E,C2E1,C3E,C3E1,C4E,C4E1,EHBB,E1A2,E1A4,E1G7,E2G7,E5A4,RTL1,R1A,R3A,R3A1	
6	90013-883-000	BOLT, FLANGE, 6X12(CT200)	-	-	-	3	-	-	C1E,C1E1,C2E,C2E1,C3E,C3E1,C4E,C4E1,EHBB,E1A2,E1A4,E1G7,E2G7,E5A4,RTL1,R1A,R3A,R3A1	
7	93500-05008-0A	SCREW, PAN, 5X8	-	-	-	1	-	-	C1E,C1E1,C2E,C2E1,C3E,C3E1,C4E,C4E1,EHBB,E1A2,E1A4,E1G7,E2G7,E5A4,RTL1,R1A,R3A,R3A1	
8	32222-ZOL-830	CORD, TERMINAL EARTH	-	-	-	1	-	-	EHBB,E1A4,E5A4	
9	22534-ZOL-820	HOLDER, WIRE	-	-	-	1	-	-	C1E,C1E1,C2E,C2E1,C3E,C3E1,C4E,C4E1	
	51125-ZOL-003	HOLDER, WIRE (FASTEX)	-	-	-	1	-	-	E1A2	
	90681-959-003	CLIP A, CABLE (NIFCO)	-	-	-	1	-	-	(3.8MM BLACK)	
10	32222-ZOL-S10	CORD, TERMINAL EARTH	-	-	-	1	-	-	E1A2,RTL1	
11	32223-ZOL-820	CORD, COMBINATION	-	-	-	1	-	-	RTL1	
			-	-	-	1	-	-	C1E,C1E1,C2E,C2E1,C3E,C3E1,C4E,C4E1	

E-21-10

COMBINATION SWITCH

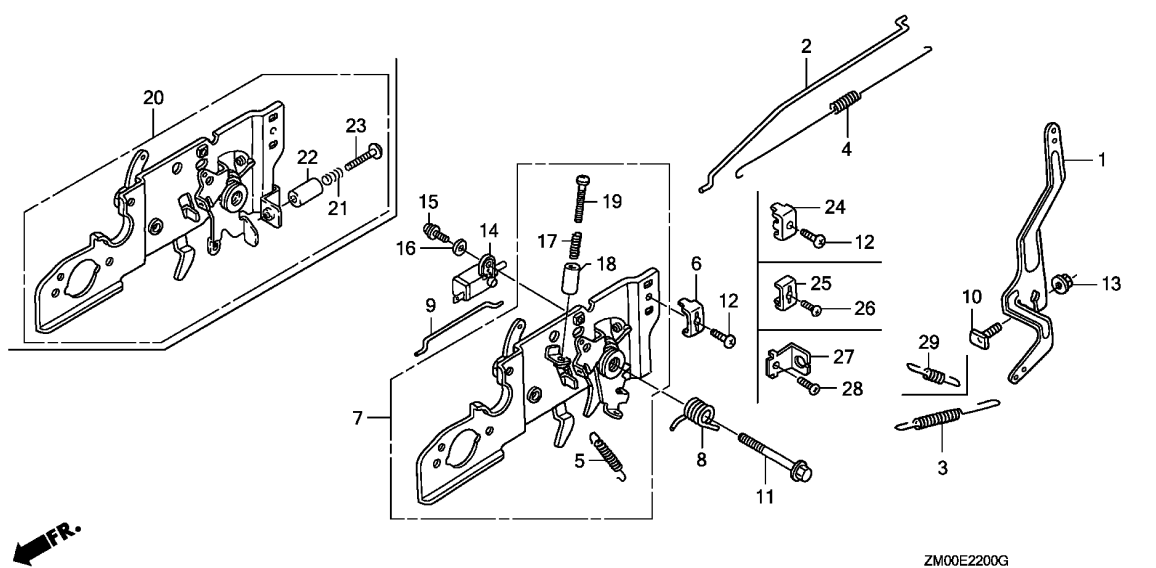
H 7



Ref. No.	L.O.N.	(Relative ref. Number) Description	F.R.T.
1	1121A7	PLATE, SIDE	0.3
3	6151E1	SWITCH, COMBINATION	0.4

Ref. No.	Part No.	Description	Reqd. QTY						Serial No.	Parts catalogue code
			GCV 135	GCV 135 E	GCV 160	GCV 160 A	GCV 135 A	GCV 160 E		
1	19612-ZOL-830	PLATE, SIDE	-	-	-	1	-	-	-----	E1A4,E5A4
2	22534-ZOL-820	HOLDER, WIRE	-	-	-	4	-	-	-----	E1A4,E5A4
3	35100-ZOL-831	SWITCH ASSY., COMBINATION	-	-	-	1	-	-	-----	E1A4,E5A4
4	35111-ZOL-830	KEY, COMBINATION SWITCH	-	-	-	2	-	-	-----	E1A4,E5A4
5	87501-ZOL-830	MARK, ENGINE SWITCH	-	-	-	1	-	-	-----	E1A4,E5A4
6	90013-883-000	BOLT, FLANGE, 6X12(CT200)	-	-	-	2	-	-	-----	E1A4,E5A4
7	93500-05010-0A	SCREW, PAN, 5X10	-	-	-	1	-	-	-----	E1A4,E5A4
8	93500-05012-0A	SCREW, PAN, 5X12	-	-	-	2	-	-	-----	E1A4,E5A4

2

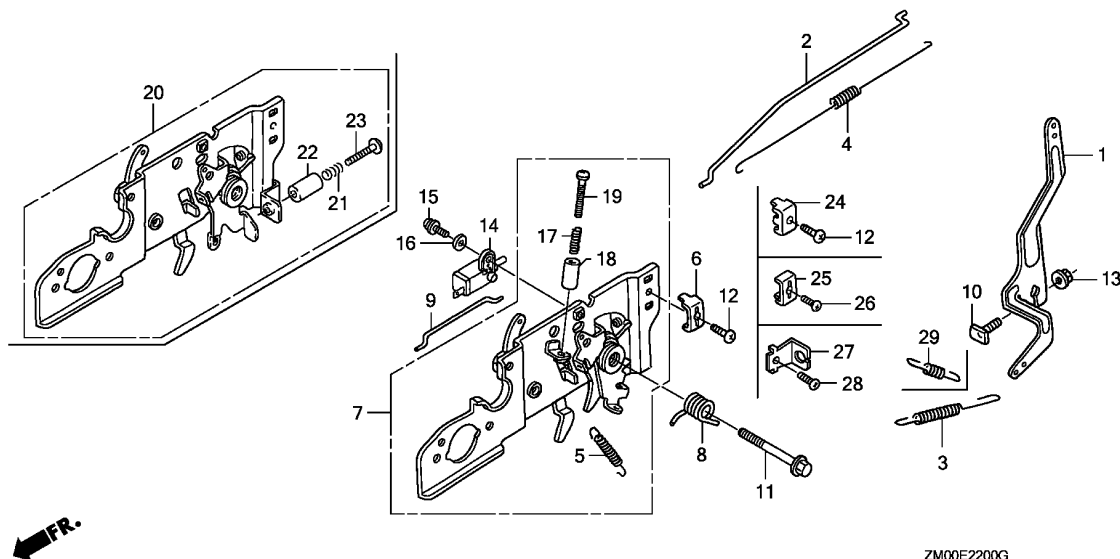


Ref. No.	L.O.N.	(Relative ref. Number) Description	F.R.T.
1	1161A0	ARM, GOVERNOR	0.2
2	1161B1	ROD, GOVERNOR	0.2
3	1161C5	SPRING, GOVERNOR	0.1
4	1161C2	SPRING, THROTTLE RETURN	0.2
5	1161C0	SPRING, LEVER	0.1
7		(20)	
	1161A2	BASE, CONTROL	0.3
8	1161B8	SPRING, CONTROL LEVER RETURN ..	0.3
9	8101R5	ROD, GOVERNOR CHOKE CONTROL ..	0.3
14	6151K1	SWITCH, THROTTLE/GOVERNOR ENGINE STOP	0.1

Ref. No.	Part No.	Description	Reqd. QTY						Serial No.	Parts catalogue code
			GCV 135	GCV 135 E	GCV 160	GCV 160 A	GCV 135 A	GCV 160 E		
1	16551-ZM0-000	ARM, GOVERNOR	1	-	1	-	-	-	-	A1D,A1E1,A1J,A1U,A2D,A2E1,A2U,A4E,N1E,N2D,N2E2 A3E,N2E3 1623459 A1A,A1C,A1E,A2A,A2C,A2E,A2E4,A2G,N1D,N1E1,N1G,N1S,N1U N1W,N1W1,N2E,N2E1,N2U A2G,N1G 2299007 A1A,A1C,A1E,A1P,A1W2,A2A,A2C,A2E,A2E4,A3E,N1,N1D,N1E1 N1E2,N1U,N1W,N1W1,N1W2,N2,N2E,N2E1,N2E3,N2U,N3V A1E7,A1E8,A1G7,A1W7,A2E7,A2E8,A2E9,A2G7,A7E1,N1E7,N1J1 N1R,N1S7,N1W7,N1W8,N1W9,N2E7,N2E8,N2E9,N3U,N7A1,N7E1 N7E2 1623460 A1A,A1C,A1E,A2A,A2C,A2E,A2E4,A2G,N1D,N1E1,N1G,N1S,N1U N1W,N1W1,N2E,N2E1,N2U - 1 - 1 - 1 ----- A1A,A1AS,A1C,A1E,A1G9,A1M,A1P,A2A,A2A9,A2C,A2E,A2G4 A2G9,A3E,A3E7,A3E9,A3G9,A3T9,A3W7,A3W8,A4G4,A4G7,A4G9 BHH,BHH1,C1E,C1E1,C2E,C2E1,C3E,C3E1,C4E,C4E1,EHHB,E1G7 E2G7,NBL1,N1D,N1E,N1E1,N1E2,N1S,N1T8,N1T9,N1U,N1W,N2E N2E1,N2E3,N2KA,N2KE,N2U,N3T8,N3T9,N3V,N3W8,N3W9,N7S1 S1E1,S2E,S2E1,S2E2,S2E3,S2G7,S3E9,S3G9,S4E4,S4E9,S4G4 S4G9 2299008 A1A,A1C,A1E,A1P,A1W2,A2A,A2C,A2E,A2E4,A3E,N1,N1D,N1E1 N1E2,N1U,N1W,N1W1,N1W2,N2,N2E,N2E1,N2E3,N2U,N3V A1A,A1C,A1D,A1E,A1E1,A1E7,A1E8,A1G9,A1J,A1U,A2A,A2C A2D,A2E,A2E1,A2E4,A2E7,A2E8,A2E9,A2G,A2G4,A2G7,A2G9 A2U,A3E,A3G9,A4E,A4G4,A4G7,A4G9,A7E1,N1D,N1E,N1E1,N1G N1S,N1S7,N1U,N1W,N1W1,N1W7,N1W8,N2D,N2E,N2E1,N2E2,N2E3 N2E7,N2E8,N2E9,N2KA,N2KE,N2U,N7E1,N7E2,S2E2,S2E3,S3E9 S3G9,S4E4,S4E9,S4G4,S4G9 S2E,S2E1
	16551-ZM0-010	1	1	1	1	-	1	-	
2	16555-ZM1-000	ROD, GOVERNOR	1	1	-	-	-	-	-	
	16555-Z0M-800	-	1	-	-	-	-	-	

Ref. No.	Part No.	Description	Reqd. QTY						Serial No.	Parts catalogue code
			GCV 135	GCV 135 E	GCV 160	GCV 160 A	GCV 135 A	GCV 160 E		
(2)	16555-ZM0-000	ROD, GOVERNOR	-	-	1	-	-	1	-----	A1A,A1C,A1E,A1E7,A1E8,A1G7,A1G9,A1J,A1P,A1U,A1W2,A1W7,A2A,A2A9,A2C,A2E,A2E4,A2E7,A2E8,A2E9,A2G4,A2G7,A2G9,A2U,A3E,A3E7,A3E9,A3G9,A3T9,A3W7,A3W8,A4E,A4G4,A4G7,A4G9,A7E1,N1,N1D,N1E1,N1E2,N1E7,N1J1,N1R,N1T8,N1T9,N1U,N1W,N1W1,N1W2,N1W7,N1W8,N1W9,N2,N2D,N2E,N2E1,N2E2,N2E3,N2E7,N2E8,N2E9,N2U,N3T8,N3T9,N3U,N3V,N3W8,N3W9,N7A1,S2E2,S2E3,S3E9,S3G9,S4E4,S4E9,S4G4,S4G9
	16555-Z0L-800	-	-	-	1	-	1	-----	A1A,A1AS,A1C,A1E,A1M,A2A,A2C,A3E,BHH,BHH1,C1E,C1E1,C2E,C2E1,C3E,C3E1,C4E,C4E1,EHHB,E1G7,E2G7,NBL1,N1U,N2U,N3U,N3V,N7S1,S1E1,S2E,S2E1,S2G7
3	16561-ZM1-V30	SPRING, GOVERNOR	1	1	-	-	-	-	-----	A1E7,A1E8,A1W7,A2E7,A2E8,A2E9,A2G7,A7E1,N1E1,N1E7,N1R,N1W7,N1W8,N1W9,N2E7,N2E8,N2E9,N7A1
	16561-ZM1-000	1	1	-	-	-	-	-----	A7E1,N7E1,N7E2
	16561-ZM1-870	1	-	-	-	-	-	-----	A1A,A1C,A1D,A1E,A1E1,A1J,A1U,A2A,A2C,A2D,A2E,A2E1,A2E4,A2U,A3E,A4E,N1D,N1E,N1E1,N1S,N1U,N1W,N1W1,N2D,N2E,N2E1,N2E2,N2E3,N2U
	16561-ZM1-870	1	-	-	-	-	-	-----	1217482 A2G,N1G
	16561-Z0M-870	-	1	-	-	-	-	-----	A1E7,A1E8,A2E7,A2E8,A2E9,A2G7,N1S7,N1W7,N1W8,N2E7,N2E8,N2E9
	16561-ZM0-000	-	-	1	1	-	1	-----	A1E7,A1E8,A1G9,A2E7,A2E8,A2E9,A2G4,A2G7,A2G9,A3G9,A4G4,A4G7,A4G9,N1S7,N1W7,N1W8,N2E7,N2E8,N2E9,N2KA,N2KE,S2E,S2E1,S2E2,S2E3,S3E9,S3G9,S4E4,S4E9,S4G4,S4G9
	16561-ZM1-V00	1	-	-	-	-	-	-----	EHHB,N1D,N1E2,N1J1
	16561-ZM0-870	-	-	1	1	-	-	-----	A1A,A1C,A1E,A1J,A1P,A1U,A1W2,A2A,A2C,A2E,A2E4,A2U,A3E,A4E,N1,N1E1,N1R,N1U,N1W,N1W1,N1W2,N2,N2D,N2E,N2E1,N2E2,N2E3,N2U,N3U,N3V
	16561-Z0L-000	-	-	-	-	-	1	-----	A2G,N1G
	16561-ZM0-V30	-	1	-	-	-	-	-----	A2G,N1G
	16561-Z1L-870	-	-	1	1	-	-	-----	A1E7,A1E8,A1G7,A1W7,A2E7,A2E8,A2E9,A2G7,C1E,C1E1,C2E,C2E1,C3E,C3E1,C4E,C4E1,E1G7,E2G7,N1E7,N1W7,N1W8,N1W9,N2E7,N2E8,N2E9,S2G7
	16562-ZM1-000	SPRING, THROTTLE RETURN	1	1	-	-	-	-	-----	N1T8,N1T9,N3T8,N3T9
	16562-ZM0-000	-	-	1	1	-	1	-----	A1A,A1AS,A1C,A1E,A1M,A2A,A2C,A3E,BHH,BHH1,NBL1,N1E1,N1R,N1U,N2U,N3U,N3V
4	16562-ZM1-000	SPRING, THROTTLE RETURN	1	1	-	-	-	-	-----	A7E1,N7A1,N7S1
	16562-ZM0-000	-	-	1	1	-	1	-----	A1E7,A1E8,A1G7,A1G9,A1W7,A2A9,A2E7,A2E8,A2E9,A2G4,A2G7,A2G9,A3E7,A3E9,A3G9,A3T9,A3W7,A3W8,A4G4,A4G7,A4G9,N1E7,N1E8,A1G9,A1J,A1U,A2A,A2C,A2D,A2E,A2E1,A2E4,A2E7,A2E8,A2E9,A2G,A2G4,A2G7,A2G9,A2U,A3E,A3G9,A4E,A4G4,A4G7,A4G9,A7E1,N1D,N1E,N1E1,N1G,N1S,N1S7,N1U,N1W,N1W1,N1W7,N1W8,N2D,N2E,N2E1,N2E2,N2E3,N2E7,N2E8,N2E9,N2KA,N2KE,N2U,N7E1,N7E2,S2E,S2E1,S2E2,S2E3,S3E9,S3G9,S4E4,S4E9,S4G4,S4G9
	16562-ZM0-000	-	-	1	1	-	1	-----	A1A,A1AS,A1C,A1E,A1E7,A1E8,A1G7,A1G9,A1J,A1M,A1P,A1U,A1W2,A1W7,A2A,A2A9,A2C,A2E,A2E4,A2E7,A2E8,A2E9,A2G4,A2G7,A2G9,A2U,A3E,A3E7,A3E9,A3G9,A3T9,A3W7,A3W8,A4E,A4G4,A4G7,A4G9,A7E1,BHH,BHH1,C1E,C1E1,C2E,C2E1,C3E,C3E1,C4E,C4E1,EHHB,E1G7,E2G7,NBL1,N1,N1D,N1E1,N1E2,N1E7,N1J1,N1R,N1T8,N1T9,N1U,N1W,N1W1,N1W2,N1W7,N1W8,N1W9,N2,N2D,N2E,N2E1,N2E2,N2E3,N2E7,N2E8,N2E9,N2U,N3T8,N3T9,N3U,N3V,N3W8,N3W9,N7A1,N7S1,S1E1,S2E,S2E1,S2E2,S2E3,S2G7,S3E9,S3G9,S4E4,S4E9,S4G4,S4G9

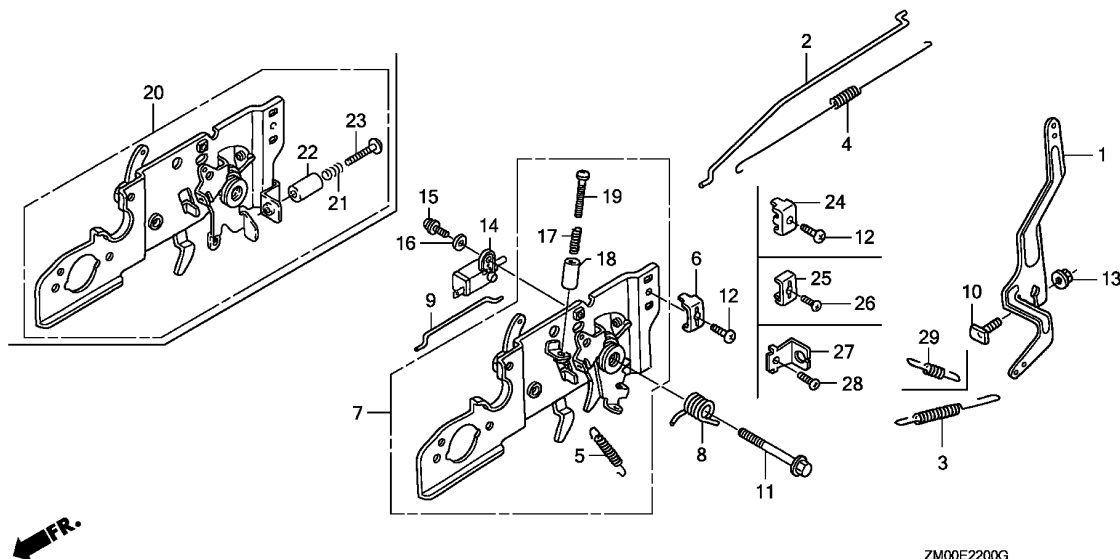




Ref. No.	Part No.	Description	Reqd. QTY						Serial No.	Parts catalogue code
			GCV 135	GCV 135 E	GCV 160	GCV 160 A	GCV 135 A	GCV 160 E		
5	16576-ZE7-300	SPRING, LEVER	1	1	1	1	-	1	-----	A1A,A1AS,A1C,A1D,A1E,A1E1,A1E7,A1E8,A1G7,A1G9,A1J,A1M,A1P,A1U,A1W2,A1W7,A2A,A2A9,A2C,A2D,A2E,A2E1,A2E4,A2E7,A2E8,A2E9,A2G,A2G4,A2G7,A2G9,A2U,A3E,A3E7,A3E9,A3G9,A3T9,A3W7,A3W8,A4E,A4G4,A4G7,A4G9,BHH,BHH1,C1E,C1E1,C2E,C2E1,C3E,C3E1,C4E,C4E1,EHHB,E1G7,E2G7,NBL1,N1,N1D,N1E,N1E1,N1E2,N1E7,N1G,N1J1,N1R,N1S,N1S7,N1T8,N1T9,N1U,N1W,N1W1,N1W2,N1W7,N1W8,N1W9,N2,N2D,N2E,N2E1,N2E2,N2E3,N2E7,N2E8,N2E9,N2KA,N2KE,N2U,N3T8,N3T9,N3U,N3V,N3W8,N3W9,S2E3,S3G9,S4G4,S4G9
6	16576-891-000	HOLDER, CABLE	1	-	1	-	-	-	-----	A1D,A1E1,A1J,A1U,A2D,A2E1,A2U,A4E,N1E,N2D,N2E2,A3E,N1E1,N2E3
			1	-	-	-	-	-	1623931	A1A,A1C,A1E,A1E7,A1E8,A2A,A2C,A2E,A2E4,A2E7,A2E8,A2E9,A2G,A2G7,A7E1,N1D,N1G,N1S,N1S7,N1U,N1W,N1W1,N1W7,N1W8,N2E,N2E1,N2E7,N2E8,N2E9,N2U,N7E1,N7E2
			-	1	-	1	-	-	-----	A1A,A1C,A1W7,A2A,A2C,A2G,BHH,N1E7,N1G,N1W9,N2U,N3V,N7A1
			-	1	-	-	-	-	1811604	A1E,A1E7,A1E8,A1G9,A2E,A2E7,A2E8,A2E9,A2G7,A2G9,A7E1,N1E,N1S,N1S7,N1W,N1W7,N1W8,N2E,N2E1,N2E3,N2E7,N2E8,N2E9,N7E1,N7E2
			-	-	1	-	-	-	2439633	A1A,A1C,A1E,A1E7,A1E8,A1G7,A1P,A1W2,A1W7,A2A,A2C,A2E,A2E4,A2E7,A2E8,A2E9,A2G7,A3E,A7E1,N1,N1D,N1E1,N1E2,N1E7,N1J1,N1R,N1U,N1W,N1W1,N1W2,N1W7,N1W8,N1W9,N2,N2E,N2E1,N2E3,N2E7,N2E8,N2E9,N2U,N3U,N3V,N7A1
			-	-	-	1	-	-	-----	A1E7,A1E8,A2E7,A2E8,A2E9,A2G7,A7E1,N1U,N1W7,N1W8,N2E7,N2E8,N2E9
			-	-	-	-	-	1	1239887	A1E7,A1E8,A1G7,A1W7,A2E7,A2E8,A2E9,A2G7,A2G9,A3E7,A7E1,N1E7,N1W7,N1W8,N1W9,N2E7,N2E8,N2E9,N7A1
7	16580-ZMO-J20	BASE COMP., CONTROL	1	-	-	-	-	-	1075048	N1G

Ref. No.	Part No.	Description	Reqd. QTY						Serial No.	Parts catalogue code
			GCV 135	GCV 135 E	GCV 160	GCV 160 A	GCV 135 A	GCV 160 E		
(7)	16580-ZM0-000	BASE COMP., CONTROL	1	-	-	-	-	-	1075048	A1A,A1C,A1D,A1E,A1E1,A1J,A1U,A2A,A2C,A2D,A2E,A2E1,A2G A2U,A3E,A4E
	16580-ZM0-800		1	-	1	-	-	-	1177559	A1A,A1C,A1E,A1J,A1P,A1U,A2A,A2C,A2E,A2U,A3E,A4E,N1,N2
	16580-ZM0-J22		1	1	-	-	-	-	1075048	N1D,N1E,N1E1,N1U,N2D,N2E,N2E1,N2E2,N2E3,N2U
	16580-ZM0-020		1	1	1	1	-	-	1177559	N1D,N1E1,N1E2,N1U,N2D,N2E,N2E1,N2E2,N2E3,N2U
	16580-ZM0-802		1	-	1	-	-	-	1075049	N1W,N1W1
	16580-ZM0-V90		-	1	-	1	-	1	1075049	N1G
	16580-ZM0-880		-	-	1	-	-	-		BHH,EHHB,NBL1,N1G,N1J1,N1W2
	16580-ZM1-J01		-	-	1	-	-	-		A2E4,N1S
	16580-ZM0-J61		1	1	-	-	-	-	1075049	A1A,A1C,A1D,A1E,A1E1,A1J,A1U,A2A,A2C,A2D,A2E,A2E1,A2G A2U,A3E,A4E
	16580-ZM0-872		-	1	-	1	-	1		A1A,A1AS,A1C,A1E,A1M,A1P,A2A,A2C,A2E,A2G,A3E
	16580-ZM0-881		1	-	-	-	-	-	1177560	A1A,A1C,A1E,A1J,A1P,A1U,A2A,A2C,A2E,A2U,A3E,A4E,N1,N2
	16580-ZM0-882		-	-	1	-	-	-	1075049	N1D,N1E,N1E1,N1U,N2D,N2E,N2E1,N2E2,N2E3,N2U
	16580-Z1L-850		-	-	1	-	-	-		N1D,N1E,N1E1,N1E2,N1U,N2E,N2E1,N2E3,N2U
	16580-ZM0-871		1	1	1	1	-	1		N1W,N1W1,N3U,N3V
	16580-ZM0-882		-	-	1	-	-	-	1177560	N1D,N1E1,N1E2,N1U,N2D,N2E,N2E1,N2E2,N2E3,N2U
	16580-Z1L-850		-	-	1	-	-	-		N1R
	16580-ZM0-000	SPRING, CONTROL LEVER RETURN	1	1	1	1	-	1		N1W8
	16580-ZM0-000		1	1	-	-	-	-		N1W2
	16580-ZM0-000		1	1	-	-	-	-		N1W7,N1W8
	16580-ZM0-000		-	-	1	1	-	1		BHH1,N1T9,N1W9,N3T9,N3W9
	16580-ZM0-000		-	-	1	1	-	1		A1W7
	16580-ZM0-000		-	-	1	-	-	1		A3T9
	16580-ZM0-000		1	1	1	1	-	1		A1E7,A1E8,A1G7,A1G9,A2A9,A2E7,A2E8,A2E9,A2G4,A2G7,A2G9 A3E7,A3E9,A3W7,A3W8,C1E,C1E1,C2E,C2E1,E1G7,E2G7,N1S7 A3G9,A4G4,A4G7,A4G9,C3E,C3E1,C4E,C4E1
	16580-ZM0-000		1	1	1	1	-	1		N1E7,N1T8,N2E7,N2E8,N2E9,N2KA,N3T8,N3W8
	16580-ZM0-000		-	-	1	1	-	1		N1W7
	16580-ZM0-000		-	-	1	-	-	1		N1W8
	16580-ZM0-000		-	-	1	-	-	1		N2KE
	16580-ZM0-000		-	-	1	-	-	1		S2E3,S3G9,S4G4,S4G9
8	16593-ZM0-000	SPRING, CONTROL LEVER RETURN	1	1	1	1	-	1		A1W2,A1W7,A3T9,BHH,BHH1,EHHB,NBL1,N1D,N1E,N1E1,N1E2 N1E7,N1G,N1J1,N1R,N1T9,N1U,N1W,N1W1,N1W2,N1W9,N2D,N2E N2E1,N2E2,N2E3,N2E7,N2E8,N2E9,N2KA,N2KE,N2U,N3T9,N3U N3V,N3W9
	16593-ZM0-000		1	1	-	-	-	-		N1W7,N1W8
	16593-ZM0-000		-	-	-	-	-	1	1684422	A3W7,A3W8
9	16674-ZM0-000	ROD, CHOKE	1	1	1	1	-	1		A1A,A1AS,A1C,A1D,A1E,A1E1,A1E7,A1E8,A1G7,A1G9,A1J,A1M A1P,A1U,A1W2,A1W7,A2A,A2A9,A2C,A2D,A2E,A2E1,A2E4,A2E7 A2E8,A2E9,A2G,A2G4,A2G7,A2G9,A2U,A3E,A3E7,A3E9,A3G9 A3T9,A3W7,A3W8,A4E,A4G4,A4G7,A4G9,A7E1,BHH,BHH1,C1E C1E1,C2E,C2E1,C3E,C3E1,C4E,C4E1,EHHB,E1G7,E2G7,NBL1,N1 N1D,N1E,N1E1,N1E2,N1E7,N1G,N1J1,N1R,N1S,N1S7,N1T8,N1T9 N1U,N1W,N1W1,N1W2,N1W7,N1W8,N1W9,N2,N2D,N2E,N2E1,N2E2 N2E3,N2E7,N2E8,N2E9,N2KA,N2KE,N2U,N3T8,N3T9,N3U,N3V N3W8,N3W9,N7A1,N7E1,N7E2,N7S1
	16674-ZM0-000		1	1	1	1	-	1		A1A,A1AS,A1C,A1D,A1E,A1E1,A1E7,A1E8,A1G7,A1G9,A1J,A1M A1P,A1U,A1W2,A1W7,A2A,A2A9,A2C,A2D,A2E,A2E1,A2E4,A2E7 A2E8,A2E9,A2G,A2G4,A2G7,A2G9,A2U,A3E,A3E7,A3E9,A3G9 A3T9,A3W7,A3W8,A4E,A4G4,A4G7,A4G9,A7E1,BHH,BHH1,C1E C1E1,C2E,C2E1,C3E,C3E1,C4E,C4E1,EHHB,E1G7,E2G7,NBL1,N1 N1D,N1E,N1E1,N1E2,N1E7,N1G,N1J1,N1R,N1S,N1S7,N1T8,N1T9 N1U,N1W,N1W1,N1W2,N1W7,N1W8,N1W9,N2,N2D,N2E,N2E1,N2E2 N2E3,N2E7,N2E8,N2E9,N2KA,N2KE,N2U,N3T8,N3T9,N3U,N3V N3W8,N3W9,N7A1,N7E1,N7E2,N7S1
	16674-ZM0-000		1	1	1	1	-	1		A1A,A1AS,A1C,A1D,A1E,A1E1,A1E7,A1E8,A1G7,A1G9,A1J,A1M A1P,A1U,A1W2,A1W7,A2A,A2A9,A2C,A2D,A2E,A2E1,A2E4,A2E7 A2E8,A2E9,A2G,A2G4,A2G7,A2G9,A2U,A3E,A3E7,A3E9,A3G9 A3T9,A3W7,A3W8,A4E,A4G4,A4G7,A4G9,A7E1,BHH,BHH1,C1E C1E1,C2E,C2E1,C3E,C3E1,C4E,C4E1,EHHB,E1G7,E2G7,NBL1,N1 N1D,N1E,N1E1,N1E2,N1E7,N1G,N1J1,N1R,N1S,N1S7,N1T8,N1T9 N1U,N1W,N1W1,N1W2,N1W7,N1W8,N1W9,N2,N2D,N2E,N2E1,N2E2 N2E3,N2E7,N2E8,N2E9,N2KA,N2KE,N2U,N3T8,N3T9,N3U,N3V N3W8,N3W9,N7A1,N7E1,N7E2,N7S1,S1E1,S2E,S2E1,S2E2,S2E3 S2G7,S3E9,S3G9,S4E4,S4E9,S4G4,S4G9
10	90015-ZE5-010	BOLT, GOVERNOR ARM	1	1	1	1	-	1		A1A,A1AS,A1C,A1D,A1E,A1E1,A1E7,A1E8,A1G7,A1G9,A1J,A1M A1P,A1U,A1W2,A1W7,A2A,A2A9,A2C,A2D,A2E,A2E1,A2E4,A2E7 A2E8,A2E9,A2G,A2G4,A2G7,A2G9,A2U,A3E,A3E7,A3E9,A3G9 A3T9,A3W7,A3W8,A4E,A4G4,A4G7,A4G9,A7E1,BHH,BHH1,C1E C1E1,C2E,C2E1,C3E,C3E1,C4E,C4E1,EHHB,E1G7,E2G7,NBL1,N1 N1D,N1E,N1E1,N1E2,N1E7,N1G,N1J1,N1R,N1S,N1S7,N1T8,N1T9 N1U,N1W,N1W1,N1W2,N1W7,N1W8,N1W9,N2,N2D,N2E,N2E1,N2E2 N2E3,N2E7,N2E8,N2E9,N2KA,N2KE,N2U,N3T8,N3T9,N3U,N3V N3W8,N3W9,N7A1,N7E1,N7E2,N7S1,S1E1,S2E,S2E1,S2E2,S2E3 S2G7,S3E9,S3G9,S4E4,S4E9,S4G4,S4G9



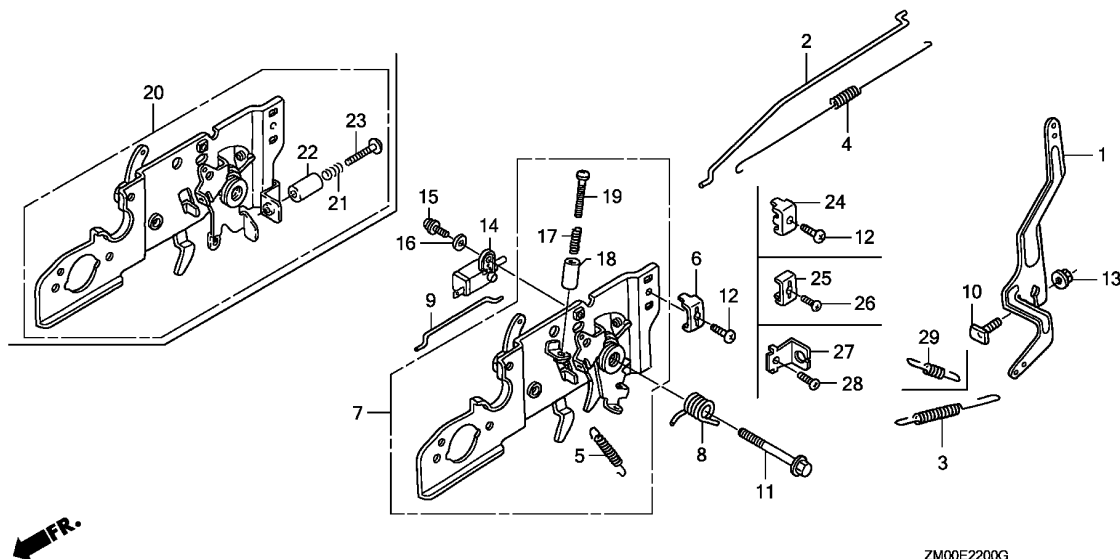


2

Ref. No.	Part No.	Description	Reqd. QTY						Serial No.	Parts catalogue code
			GCV 135 E	GCV 135 E	GCV 160 A	GCV 160 A	GCV 135 A	GCV 160 E		
11	90016-ZM0-000	BOLT, FLANGE, 6X45(CT200) ...	1	1	1	1	-	1	A1A,A1AS,A1C,A1D,A1E,A1E1,A1E7,A1E8,A1G7,A1G9,A1J,A1M,A1P,A1U,A1W2,A1W7,A2A,A2A9,A2C,A2D,A2E,A2E1,A2E4,A2E7,A2E8,A2E9,A2G,A2G4,A2G7,A2G9,A2U,A3E,A3E7,A3E9,A3G9,A3T9,A3W7,A3W8,A4E,A4G4,A4G7,A4G9,A7E1,BHH,BHH1,C1E,C1E1,C2E,C2E1,C3E,C3E1,C4E,C4E1,EHHB,E1G7,E2G7,NBL1,N1,N1D,N1E,N1E1,N1E2,N1E7,N1G,N1J1,N1R,N1S,N1S7,N1T8,N1T9,N1U,N1W,N1W1,N1W2,N1W7,N1W8,N1W9,N2,N2D,N2E,N2E1,N2E2,N2E3,N2E7,N2E8,N2E9,N2KA,N2KE,N2U,N3T8,N3T9,N3U,N3V,N3W8,N3W9,N7A1,N7E1,N7E2,N7S1,S1E1,S2E,S2E1,S2E2,S2E3,S2G7,S3E9,S3G9,S4E4,S4E9,S4G4,S4G9	
12	93500-05016-0A	SCREW, PAN, 5X16	1	1	1	1	-	1	A1A,A1C,A1D,A1E,A1E1,A1E7,A1E8,A1G7,A1G9,A1J,A1M,A1P,A1U,A1W2,A1W7,A2A,A2A9,A2C,A2D,A2E,A2E1,A2E4,A2E7,A2E8,A2E9,A2G,A2G4,A2G7,A2G9,A2U,A3E,A3E7,A3E9,A3G9,A3T9,A3W7,A3W8,A4E,A4G4,A4G7,A4G9,A7E1,C1E,C1E1,C2E,C2E1,C3E,C3E1,C4E,C4E1,E1G7,E2G7,NBL1,N1,N1D,N1E,N1E1,N1E2,N1E7,N1G,N1J1,N1R,N1S,N1S7,N1T8,N1T9,N1U,N1W,N1W1,N1W2,N1W7,N1W8,N1W9,N2,N2D,N2E,N2E1,N2E2,N2E3,N2E7,N2E8,N2E9,N2KA,N2KE,N2U,N3T8,N3T9,N3U,N3V,N3W8,N3W9,N7A1,N7E1,N7E2,N7S1,S2E2,S2E3,S3E9,S3G9,S4E4,S4E9,S4G4,S4G9	
13	94050-06000	NUT, FLANGE, 6MM	1	1	1	1	-	1	A1A,A1AS,A1C,A1D,A1E,A1E1,A1E7,A1E8,A1G7,A1G9,A1J,A1M,A1P,A1U,A1W2,A1W7,A2A,A2A9,A2C,A2D,A2E,A2E1,A2E4,A2E7,A2E8,A2E9,A2G,A2G4,A2G7,A2G9,A2U,A3E,A3E7,A3E9,A3G9,A3T9,A3W7,A3W8,A4E,A4G4,A4G7,A4G9,A7E1,BHH,BHH1,C1E,C1E1,C2E,C2E1,C3E,C3E1,C4E,C4E1,EHHB,E1G7,E2G7,NBL1,N1,N1D,N1E,N1E1,N1E2,N1E7,N1G,N1J1,N1R,N1S,N1S7,N1T8,N1T9,N1U,N1W,N1W1,N1W2,N1W7,N1W8,N1W9,N2,N2D,N2E,N2E1,N2E2,N2E3,N2E7,N2E8,N2E9,N2KA,N2KE,N2U,N3T8,N3T9,N3U,N3V,N3W8,N3W9,N7A1,N7E1,N7E2,N7S1,S1E1,S2E,S2E1,S2E2,S2E3,S2G7,S3E9,S3G9,S4E4,S4E9,S4G4,S4G9	

Ref. No.	Part No.	Description	Reqd. QTY						Serial No.	Parts catalogue code
			GCV 135	GCV 135 E	GCV 160	GCV 160 A	GCV 135 A	GCV 160 E		
14	35120-ZL8-003	SWITCH ASSY., ENGINE STOP (N.O)	1	1	1	1	-	1	-----	BHH,BHH1,NBL1,N1D,N1E,N1E1,N1E2,N1E7,N1G,N1J1,N1R,N1T8 N1T9,N1U,N1W,N1W1,N1W2,N1W7,N1W8,N1W9,N2D,N2E,N2E1 N2E2,N2E3,N2E7,N2E8,N2E9,N2KA,N2KE,N2U,N3T8,N3T9,N3U N3V,N3W8,N3W9,N7A1,N7E1,N7E2,N7S1
15	93892-04012-00	SCREW-WASHER, 4X12	1	1	1	1	-	1	-----	BHH,BHH1,NBL1,N1D,N1E,N1E1,N1E2,N1E7,N1G,N1J1,N1R,N1T8 N1T9,N1U,N1W,N1W1,N1W2,N1W7,N1W8,N1W9,N2D,N2E,N2E1 N2E2,N2E3,N2E7,N2E8,N2E9,N2KA,N2KE,N2U,N3T8,N3T9,N3U N3V,N3W8,N3W9,N7A1,N7E1,N7E2,N7S1
16	94103-04000	WASHER, PLAIN, 4MM	1	1	1	1	-	1	-----	BHH,BHH1,NBL1,N1D,N1E,N1E1,N1E2,N1E7,N1G,N1J1,N1R,N1T8 N1T9,N1U,N1W,N1W1,N1W2,N1W7,N1W8,N1W9,N2D,N2E,N2E1 N2E2,N2E3,N2E7,N2E8,N2E9,N2KA,N2KE,N2U,N3T8,N3T9,N3U N3V,N3W8,N3W9,N7A1,N7E1,N7E2,N7S1
17	16584-883-300	SPRING, CONTROL ADJUSTING ...	1	1	1	1	-	1	-----	A1E7,A1E8,A1G7,A1G9,A1W7,A2A9,A2E7,A2E8,A2E9,A2G4,A2G7 A2G9,A3E7,A3E9,A3G9,A3T9,A3W7,A3W8,A4G4,A4G7,A4G9,A7E1 BHH1,C1E,C1E1,C2E,C2E1,C3E,C3E1,C4E,C4E1,E1G7,E2G7 N1E7,N1R,N1S7,N1T8,N1T9,N1W7,N1W8,N1W9,N2E7,N2E8,N2E9 N2KA,N2KE,N3T8,N3T9,N3W8,N3W9,N7A1,N7E1,N7E2,S2E3,S2G7 S3G9,S4G4,S4G9
18	16599-ZG1-M10	COLLAR, STOPPER	1	1	1	1	-	1	-----	A1E7,A1E8,A1G7,A1G9,A1W7,A2A9,A2E7,A2E8,A2E9,A2G4,A2G7 A2G9,A3E7,A3E9,A3G9,A3T9,A3W7,A3W8,A4G4,A4G7,A4G9,A7E1 BHH1,C1E,C1E1,C2E,C2E1,C3E,C3E1,C4E,C4E1,E1G7,E2G7 N1E7,N1S7,N1T8,N1T9,N1W7,N1W8,N1W9,N2E7,N2E8,N2E9,N2KA N2KE,N3T8,N3T9,N3W8,N3W9,N7A1,N7E1,N7E2,S2E3,S2G7,S3G9 S4G4,S4G9
19	90016-ZE7-W00	SCREW, RECESSED, 5X28	1	1	1	1	-	1	-----	A1E7,A1E8,A1G7,A1G9,A1W7,A2A9,A2E7,A2E8,A2E9,A2G4,A2G7 A2G9,A3E7,A3E9,A3G9,A3T9,A3W7,A3W8,A4G4,A4G7,A4G9,A7E1 BHH1,C1E,C1E1,C2E,C2E1,C3E,C3E1,C4E,C4E1,E1G7,E2G7 N1E7,N1S7,N1T8,N1T9,N1W7,N1W8,N1W9,N2E7,N2E8,N2E9,N2KA N2KE,N3T8,N3T9,N3W8,N3W9,N7A1,N7E1,N7E2,S2E3,S2G7,S3G9 S4G4,S4G9
20	93500-05028-0A	SCREW, PAN, 5X28	-	-	1	1	-	1	-----	N1R
	16580-ZOM-780	BASE COMP., CONTROL	1	1	1	1	-	1	-----	A7E1,N7A1,N7E1,N7E2,N7S1
	16580-ZOM-810	-	1	-	1	-	1	-----	S1E1,S2E,S2E1,S2G7
	16580-ZOM-811	-	1	-	-	-	1	-----	S2E2,S3E9,S4E4,S4E9
21	16584-883-300	SPRING, CONTROL ADJUSTING ...	1	1	1	1	-	1	-----	A7E1,N7A1,N7E1,N7E2,N7S1,S1E1,S2E,S2E1,S2E2,S2G7,S3E9 S4E4,S4E9
22	16599-ZG1-M10	COLLAR, STOPPER	1	1	1	1	-	1	-----	A7E1,N7A1,N7E1,N7E2,N7S1,S1E1,S2E,S2E1,S2E2,S2G7,S3E9 S4E4,S4E9
23	90016-ZE7-W00	SCREW, RECESSED, 5X28	1	1	1	1	-	1	-----	A7E1,N7A1,N7E1,N7E2,N7S1,S1E1,S2E,S2E1,S2E2,S2G7,S3E9 S4E4,S4E9





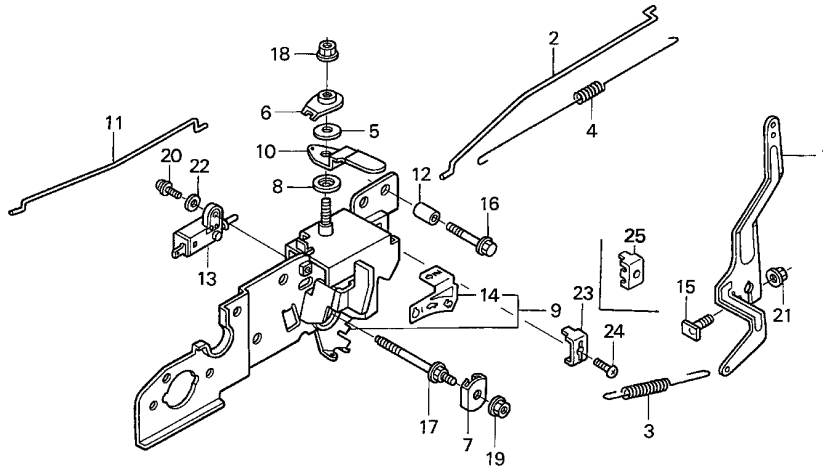
ZM00E2200G

Ref. No.	Part No.	Description	Reqd. QTY						Serial No.	Parts catalogue code
			GCV 135	GCV 135 E	GCV 160	GCV 160 A	GCV 135 A	GCV 160 E		
24	16617-VG3-000	HOLDER, CABLE	1	-	-	-	-	1623932	A1A,A1C,A1E,A1E7,A1E8,A2A,A2C,A2E,A2E4,A2E7,A2E8,A2E9,A2G,A2G7,A7E1,N1D,N1G,N1S,N1S7,N1U,N1W,N1W1,N1W7,N1W8,N2E,N2E1,N2E7,N2E8,N2E9,N2U,N7E1,N7E2	
			-	1	-	1	-		A2G4,A3G9,A4G4,A4G7,A4G9,N1E1,N1R,N2KA,N2KE,S2E2,S2E3,S3E9,S3G9,S4E4,S4E9,S4G4,S4G9	
			-	1	-	-	-	1811605	N1U	
			-	1	-	-	-		A1E,A1E7,A1E8,A1G9,A2E,A2E7,A2E8,A2E9,A2G7,A2G9,A7E1,N1E,N1S,N1S7,N1W,N1W7,N1W8,N2E,N2E1,N2E3,N2E7,N2E8,N2E9,N7E1,N7E2	
			-	-	1	-	-	2439634	A1A,A1C,A1E,A1E7,A1E8,A1G7,A1P,A1W2,A1W7,A2A,A2C,A2E,A2E4,A2E7,A2E8,A2E9,A2G7,A3E,A7E1,N1,N1D,N1E1,N1E2,N1E7,N1J1,N1R,N1U,N1W,N1W1,N1W2,N1W7,N1W8,N1W9,N2,N2E,N2E1,N2E3,N2E7,N2E8,N2E9,N2U,N3U,N3V,N7A1	
			-	-	-	1	-		A1E,A1G9,A1M,A1P,A2A9,A3E,A3E9,A3T9,A3W7,A3W8,C1E,C1E1,C2E,C2E1,C3E,C3E1,C4E,C4E1,E1G7,E2G7,NBL1,N1D,N1E2,N1J1,N1T8,N1T9,N3T8,N3T9,N3U,N3W8,N3W9,N7S1	
			-	-	-	-	1	1239888	A1E7,A1E8,A1G7,A1W7,A2E7,A2E8,A2E9,A2G7,A2G9,A3E7,A7E1,N1E7,N1W7,N1W8,N1W9,N2E7,N2E8,N2E9,N7A1	
25	16576-891-000	HOLDER, CABLE	-	-	-	1	-		A1AS	
26	90016-ZOA-V00	SCREW, RECESSED, 5X18	-	-	-	1	-		A1AS	
27	16617-ZOL-800	HOLDER, CABLE	-	-	-	1	-		BHH,BHH1,EHHB	
28	93500-05008-0A	SCREW, PAN, 5X8	-	-	-	1	-		BHH,BHH1,EHHB	
29	16563-ZOM-850	SPRING, IDLE GOVERNOR	-	1	-	-	-		S2E3,S3G9,S4G4,S4G9	
	16563-Z1L-850		-	-	-	-	1		S2E3,S3G9,S4G4,S4G9	

E-22-1

CONTROL(2)

H15

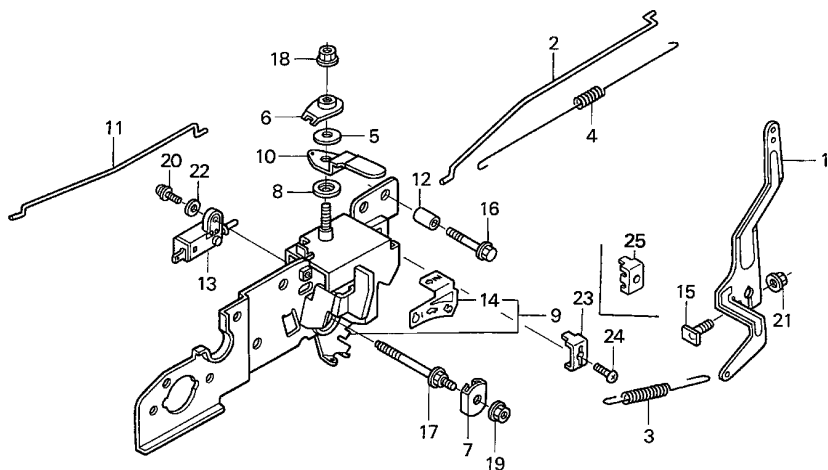


ZM00-E2201E

Ref. No.	L.O.N.	(Relative ref. Number) Description	F.R.T.
1	1161A0	ARM, GOVERNOR	0.2
2	1161B1	ROD, GOVERNOR	0.2
3	1161C5	SPRING, GOVERNOR	0.1
4	1161C2	SPRING, THROTTLE RETURN	0.2
9	1161A2	BASE, CONTROL	0.3
11	8101R5	ROD, GOVERNOR CHOKE CONTROL ..	0.3
13	6151K1	SWITCH, THROTTLE/GOVERNOR ENGINE STOP	0.1

Ref. No.	Part No.	Description	Reqd. QTY						Serial No.	Parts catalogue code
			GCV 135	GCV 135 E	GCV 160	GCV 160 A	GCV 135 A	GCV 160 E		
1	16551-ZM0-000	ARM, GOVERNOR	1	-	-	-	-	-	1623459 A2R	
	16551-ZM0-010	1	-	-	-	-	-	2299007 A2R	
			-	1	-	1	-	1	1623460 A2R	
			-	-	1	-	-	-	2299008 A2R	A2R,N1A,N1C,N1L,N5A,N5C
			-	-	-	-	-	1		
2	16555-ZM1-000	ROD, GOVERNOR	1	1	-	-	-	-		A2R
	16555-ZM0-000	-	-	1	-	-	1		A2R
	16555-Z0L-800	-	-	-	1	-	-		A2R,N1A,N1C,N1L,N5A,N5C
3	16561-ZM0-V30	SPRING, GOVERNOR	-	-	1	1	-	1		A2R,N1A,N1C,N1L,N5A,N5C
	16561-ZM1-V30	1	1	-	-	-	-		A2R
			-	-	-	-	-	1		
4	16562-ZM1-000	SPRING, THROTTLE RETURN	1	1	-	-	-	-		A2R
	16562-ZM0-000	-	-	1	1	-	1		A2R,N1A,N1C,N1L,N5A,N5C
5	16574-ZE1-000	SPRING, LEVER	1	1	1	1	-	1		A2R,N1A,N1C,N1L,N5A,N5C
			-	-	-	-	-	1		
6	16575-ZE2-W00	WASHER, CONTROL LEVER	1	1	1	1	-	1		A2R,N1A,N1C,N1L,N5A,N5C
			-	-	-	-	-	1		
7	16577-ZM0-V30	PLATE, LEVER CENTER	1	1	1	1	-	1		A2R,N1A,N1C,N1L,N5A,N5C
			-	-	-	-	-	1		
8	16578-ZE1-000	SPACER, CONTROL LEVER	1	1	1	1	-	1		A2R,N1A,N1C,N1L,N5A,N5C
			-	-	-	-	-	1		
9	16580-ZM0-V30	BASE COMP., CONTROL (###) ...	1	1	1	1	-	1		A2R,N1A,N1C,N1L,N5A,N5C
			-	-	-	-	-	1		
10	16612-ZM0-V30	LEVER, CHOKE (###)	1	1	1	1	-	1		A2R,N1A,N1C,N1L,N5A,N5C
			-	-	-	-	-	1		

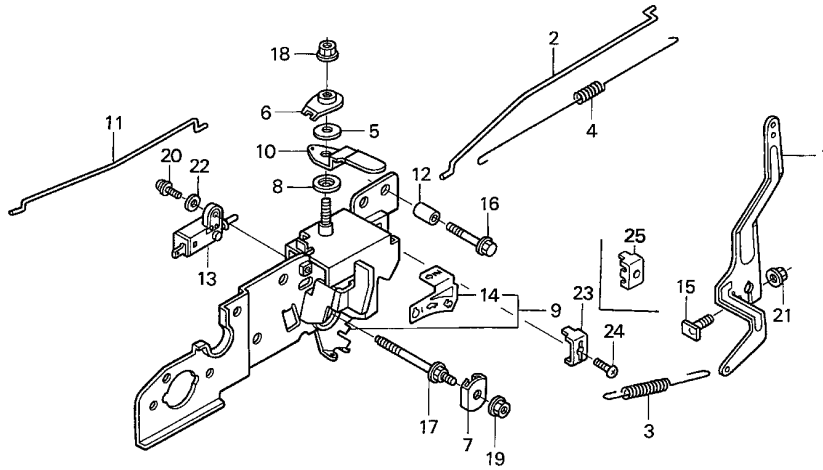
2



FR.

ZM00-E2201E

Ref. No.	Part No.	Description	Reqd. QTY						Serial No.	Parts catalogue code
			GCV 135	GCV 135 E	GCV 160	GCV 160 A	GCV 135 A	GCV 160 E		
11	16674-ZM0-V30	ROD, CHOKE	1	1	1	1	-	1	-----	A2R,N1A,N1C,N1L,N5A,N5C
12	17272-ZC3-300	COLLAR, IN. JOINT	1	1	-	-	-	1	-----	A2R
13	35120-ZL8-003	SWITCH ASSY., ENGINE STOP (N.O)	1	1	1	1	-	1	-----	A2R,N1A,N1C,N1L,N5A,N5C
14	87532-ZM0-V30	MARK, THROTTLE INDICATION	1	1	1	1	-	1	-----	A2R,N1A,N1C,N1L,N5A,N5C
15	90015-ZE5-010	BOLT, GOVERNOR ARM	1	1	1	1	-	1	-----	A2R,N1A,N1C,N1L,N5A,N5C
16	90016-ZE8-000	BOLT, FLANGE, 6X45(CT200)	1	1	-	-	-	-	-----	A2R
	90017-883-000	BOLT, FLANGE, 6X32	-	-	1	1	-	1	-----	A2R,N1A,N1C,N1L,N5A,N5C
17	90016-ZM0-V30	BOLT, SPECIAL, 6X45	1	1	1	1	-	1	-----	A2R,N1A,N1C,N1L,N5A,N5C
18	90114-SA0-000	NUT, SELF-LOCK, 6MM	1	1	1	1	-	1	-----	A2R,N1A,N1C,N1L,N5A,N5C
19	90136-SM4-901	NUT, SELF-LOCK, 5MM	1	1	1	1	-	1	-----	A2R,N1A,N1C,N1L,N5A,N5C
20	93892-04012-00	SCREW-WASHER, 4X12	1	1	1	1	-	1	-----	A2R,N1A,N1C,N1L,N5A,N5C
21	94050-06000	NUT, FLANGE, 6MM	1	1	1	1	-	1	-----	A2R,N1A,N1C,N1L,N5A,N5C
22	94103-04000	WASHER, PLAIN, 4MM	1	1	1	1	-	1	-----	A2R,N1A,N1C,N1L,N5A,N5C
23	16576-891-000	HOLDER, CABLE	-	-	-	1	-	-	-----	N1A,N1C,N5A,N5C



FR.

ZM00-E2201E

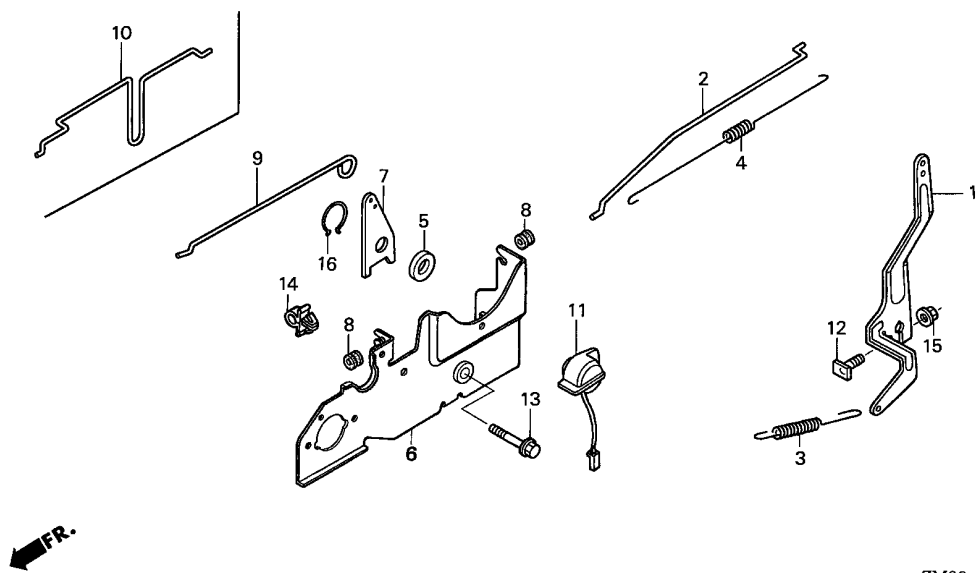
2

Ref. No.	Part No.	Description	Reqd. QTY						Serial No.	Parts catalogue code
			GCV 135	GCV 135 E	GCV 160	GCV 160 A	GCV 135 A	GCV 160 E		
24	93500-05016-0A	SCREW, PAN, 5X16	-	-	-	1	-	-	----- N1A,N1C,N1L,N5A,N5C	
25	16617-VG3-000	HOLDER, CABLE	-	-	-	1	-	-	----- N1L	

E-22-2

CONTROL(3)

12

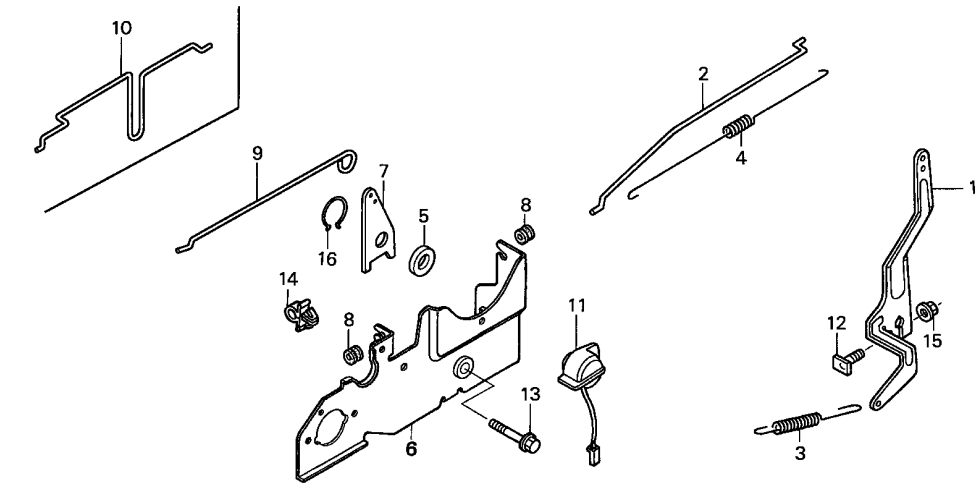


ZM00-E2202B

Ref. No.	L.O.N.	(Relative ref. Number) Description	F.R.T.
1	1161A0	ARM, GOVERNOR	0.2
2	1161B1	ROD, GOVERNOR	0.2
3	1161C5	SPRING, GOVERNOR	0.1
4	1161C2	SPRING, THROTTLE RETURN	0.2
6	1161A2	BASE, CONTROL	0.3
7	8101U5	LEVER, GOVERNOR CHOKE CONTROL	0.3
9		(10)	
	8101R5	ROD, GOVERNOR CHOKE CONTROL ..	0.3
11	6151K1	SWITCH, THROTTLE/GOVERNOR ENGINE STOP	0.1

Ref. No.	Part No.	Description	Reqd. QTY						Serial No.	Parts catalogue code
			GCV 135	GCV 135 E	GCV 160	GCV 160 A	GCV 135 A	GCV 160 E		
1	16551-ZM0-010	ARM, GOVERNOR	-	-	-	1	-	-	-----	A1AE,A1AF,A3A,E1A2,E1A4,E5A4,N1AF,N5AF,N5MF,N5R,RTL1,R1A,R3A,R3A1,STA1,STL1,S1A,S1A1,S1M,S3A,S3A2,S3H,S3H2
2	16555-ZOL-800	ROD, GOVERNOR	-	-	-	1	-	-	-----	A1AE,A1AF,A3A,E1A2,E1A4,E5A4,N1AF,N5AF,N5MF,N5R,RTL1,R1A,R3A,R3A1,STA1,STL1,S1A,S1A1,S1M,S3A,S3A2,S3H,S3H2
3	16561-ZM0-000	SPRING, GOVERNOR	-	-	-	1	-	-	-----	E1A2,N1AF,N5AF
	16561-ZOL-000	-	-	-	1	-	-	-----	A1AE,A1AF,A3A,RTL1,R1A,R3A,R3A1,STA1,STL1,S1A,S1A1,S1M,S3A,S3A2,S3H,S3H2
	16561-ZM0-V30	-	-	-	1	-	-	-----	E1A4,E5A4,N5MF,N5R
4	16562-ZM0-000	SPRING, THROTTLE RETURN	-	-	-	1	-	-	-----	A1AE,A1AF,A3A,N1AF,N5AF,N5MF,N5R,RTL1,R1A,R3A,R3A1,STA1,STL1,S1A,S1A1,S1M,S3A,S3A2,S3H,S3H2
5	16578-ZOL-810	SPACER, CONTROL LEVER	-	-	-	1	-	-	-----	A1AE,A1AF,A3A,E1A2
6	16580-ZOL-800	BASE COMP., CONTROL	-	-	-	1	-	-	-----	N1AF,N5AF,N5MF,N5R
	16580-ZOL-810	-	-	-	1	-	-	-----	A1AE,A1AF,A3A,E1A2,RTL1,R1A,R3A,R3A1,STA1,STL1,S1A,S1A1,S1M,S3A,S3A2,S3H,S3H2
	16580-ZOL-830	-	-	-	1	-	-	-----	E1A4,E5A4
7	16612-ZOL-810	LEVER, CHOKE	-	-	-	1	-	-	-----	A1AE,A1AF,A3A,E1A2
8	16613-893-000	GROMMET, CHOKE ROD	-	-	-	1	-	-	-----	A1AE,A1AF,A3A,E1A2
		-	-	-	2	-	-	-----	E1A4,E5A4,N1AF,N5AF,N5MF,N5R
9	16674-ZOL-800	ROD, CHOKE	-	-	-	1	-	-	-----	E1A4,E5A4,N1AF,N5AF,N5MF,N5R
10	16674-ZOL-810	ROD, CHOKE	-	-	-	1	-	-	-----	A1AE,A1AF,A3A,E1A2
11	35120-ZOL-801	SWITCH ASSY., ENGINE STOP ...	-	-	-	1	-	-	-----	N1AF,N5AF,N5MF,N5R
12	90015-ZE5-010	BOLT, GOVERNOR ARM	-	-	-	1	-	-	-----	A1AE,A1AF,A3A,E1A2,E1A4,E5A4,N1AF,N5AF,N5MF,N5R,RTL1,R1A,R3A,R3A1,STA1,STL1,S1A,S1A1,S1M,S3A,S3A2,S3H,S3H2
13	90016-ZE8-000	BOLT, FLANGE, 6X45(CT200) ...	-	-	-	1	-	-	-----	A1AE,A1AF,A3A,E1A2,E1A4,E5A4,N1AF,N5AF,N5MF,N5R,RTL1,R1A,R3A,R3A1,STA1,STL1,S1A,S1A1,S1M,S3A,S3A2,S3H,S3H2
14	90681-959-003	CLIP A, CABLE (NIFCO) (3.8MM BLACK)	-	-	-	1	-	-	-----	E1A2,N1AF,N5AF,N5MF,N5R

2



FR.

ZM00-E2202B

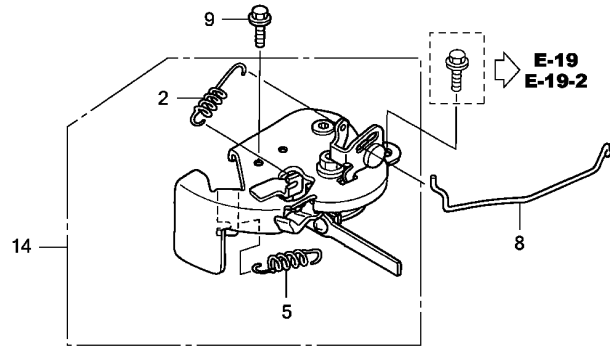
Ref. No.	Part No.	Description	Reqd. QTY						Serial No.	Parts catalogue code
			GCV 135	GCV 135 E	GCV 160	GCV 160 A	GCV 135 A	GCV 160 E		
15	94050-06000	NUT, FLANGE, 6MM	-	-	-	1	-	-	-----	A1AE,A1AF,A3A,E1A2,E1A4,E5A4,N1AF,N5AF,N5MF,N5R,RTL1,R1A,R3A,R3A1,STA1,STL1,S1A,S1A1,S1M,S3A,S3A2,S3H,S3H2
16	94511-14000	CIRCLIP, EXTERNAL, 14MM	-	-	-	1	-	-	-----	A1AE,A1AF,A3A,E1A2

2

E-22-3

CHOKE BASE

14



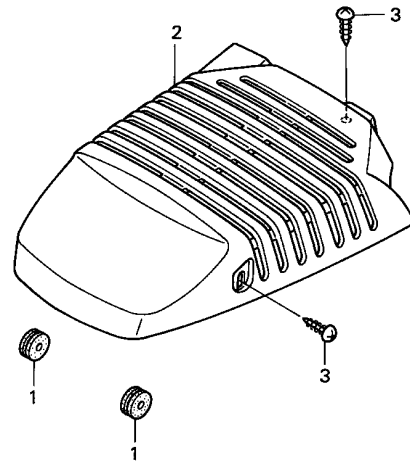
Ref. No.	L.O.N.	(Relative ref. Number) Description	F.R.T.
8	8101BD	ROD, CHOKE BASE STOP	0.2
14	8101V7	LEVER, CHOKE BASE	0.3

ZM00E2203D

FR.

2

Ref. No.	Part No.	Description	Reqd. QTY						Serial No.	Parts catalogue code
			GCV 135	GCV 135 E	GCV 160	GCV 160 A	GCV 135 A	GCV 160 E		
2	16592-ZJ1-000	SPRING, CABLE RETURN	-	1	-	-	-	1	----- S1E1,S2E,S2E1	
	16592-Z2D-800	SPRING, RETURN	-	-	-	1	-	----- 4361726	RTL1,STA1,STL1,S1A,S1A1,S3A,S3H2	
			-	-	-	1	-	----- 4361727	R1A,R3A,R3A1	
5	16614-Z0L-800	SPRING, CHOKE LEVER	-	1	-	-	-	1	----- S1E1,S2E,S2E1	
	16614-Z2D-800	-	-	-	1	-	----- 4361726	RTL1,STA1,STL1,S1A,S1A1,S3A,S3H2	
			-	-	-	1	-	----- 4361727	R1A,R3A,R3A1	
			-	-	-	1	-	-----	RTL1,STA1,STL1,S1A,S1A1,S3A,S3H2	
8	16632-Z0L-800	ROD, STOP	-	1	-	1	-	1	----- RTL1,R1A,R3A,R3A1,STA1,STL1,S1A,S1A1,S1E1,S2E,S2E1,S3A	
			-	-	-	-	-	-	----- S3H2	
9	90022-888-000	BOLT, FLANGE, 6X20	-	1	-	1	-	1	----- RTL1,R1A,R3A,R3A1,STA1,STL1,S1A,S1A1,S1E1,S2E,S2E1,S3A	
			-	-	-	-	-	-	----- S3H2	
14	16610-Z0L-800	LEVER ASSY., CHOKE	-	-	-	1	-	-	----- 4361726	RTL1,STA1,STL1,S1A,S1A1,S3A,S3H2
	16610-Z0M-800	-	1	-	-	-	1	----- S1E1,S2E,S2E1	
	16610-Z2D-801	-	-	-	1	-	-	----- S2E,S2E1	
			-	-	-	1	-	-	----- R1A,R3A,R3A1	
			-	-	-	1	-	----- 4361727	RTL1,STA1,STL1,S1A,S1A1,S3A,S3H2	

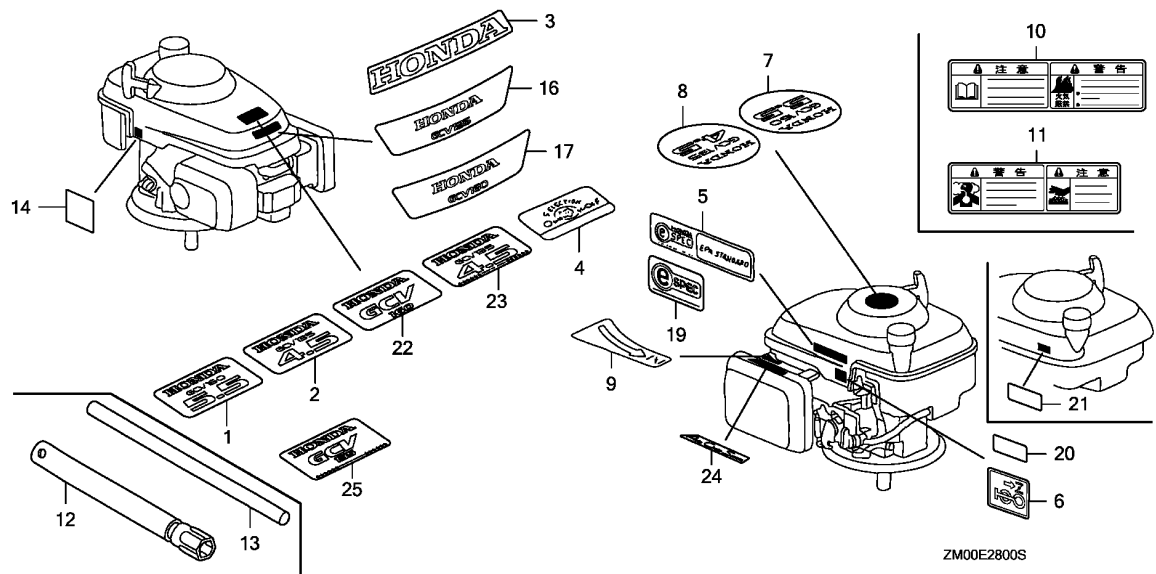


ZM00-E2700

Ref. No.	L.O.N. (Relative ref. Number)	Description	F.R.T.
2	1111D6	COVER, ENGINE TOP	0.1

Ref. No.	Part No.	Description	Reqd. QTY						Serial No.	Parts catalogue code
			GCV 135	GCV 135 E	GCV 160	GCV 160 A	GCV 135 A	GCV 160 E		
1	16613-883-610	GROMMET, CHOKE ROD	-	2	-	2	-	2	-----	A1G9,A2A9,A2G9,A3E9,A3G9,A4G9,C1E1,C2E1,C3E1,C4E1,NBL1,RTL1,R3A1,STA1,STL1,S1A1,S1E1,S2E1,S2E2,S2E3,S3E9,S3G9,S4E9,S4G9
2	19721-ZOL-000ZA	COVER, TOP	-	-	-	1	-	-	-----	C1E1,C2E1,C3E1,C4E1,NBL1,RTL1,R3A1,STA1,STL1,S1A1
	NH1BLACK	-	-	-	1	-	-	-----	C1E1,C2E1
	19721-ZOL-000ZB	*NH246*.....LOOSEY GRAY	-	-	-	1	-	-	-----	C1E1,C2E1
	19721-ZOL-000ZC	*R280R*.....POWER RED	-	-	-	1	-	-	-----	C1E1,C2E1
	19721-ZOM-000ZA	*NH1*.....BLACK	-	1	-	-	-	1	-----	A1G9,A2A9,A2G9,A3E9,A3G9,A4G9,S1E1,S2E1,S2E2,S2E3,S3E9,S3G9,S4E9,S4G9
	19721-ZOM-000ZB	*NH246*.....LOOSEY GRAY	-	1	-	-	-	1	-----	A2G9,S2E2,S2E3,S4E9,S4G9
	19721-ZOM-000ZD	*R8*.....BRIGHT RED	-	1	-	-	-	1	-----	S2E1,S3E9,S3G9
	19721-ZOM-000ZE	*R280*.....POWER RED	-	1	-	-	-	1	-----	1695817 A2G9
			-	-	-	-	-	1	-----	1196409 A2G9,S2E1
			-	-	-	-	-	1	-----	1695818 A2G9
			-	-	-	-	-	1	-----	1196410 A2G9,S2E1
3	90137-SH3-000	SCREW, TAPPING, 4X16	-	3	-	3	-	3	-----	A1G9,A2A9,A2G9,A3E9,A3G9,A4G9,C1E1,C2E1,C3E1,C4E1,NBL1,RTL1,R3A1,STA1,STL1,S1E1,S2E2,S2E3,S3E9,S3G9,S4E9,S4G9
	93903-24480	-	3	-	3	-	3	-----	S2E1
			-	-	-	-	-	-	-----	S1A1,S2E1





Ref. L.O.N. (Relative ref. Number) F.R.T.
No. Description

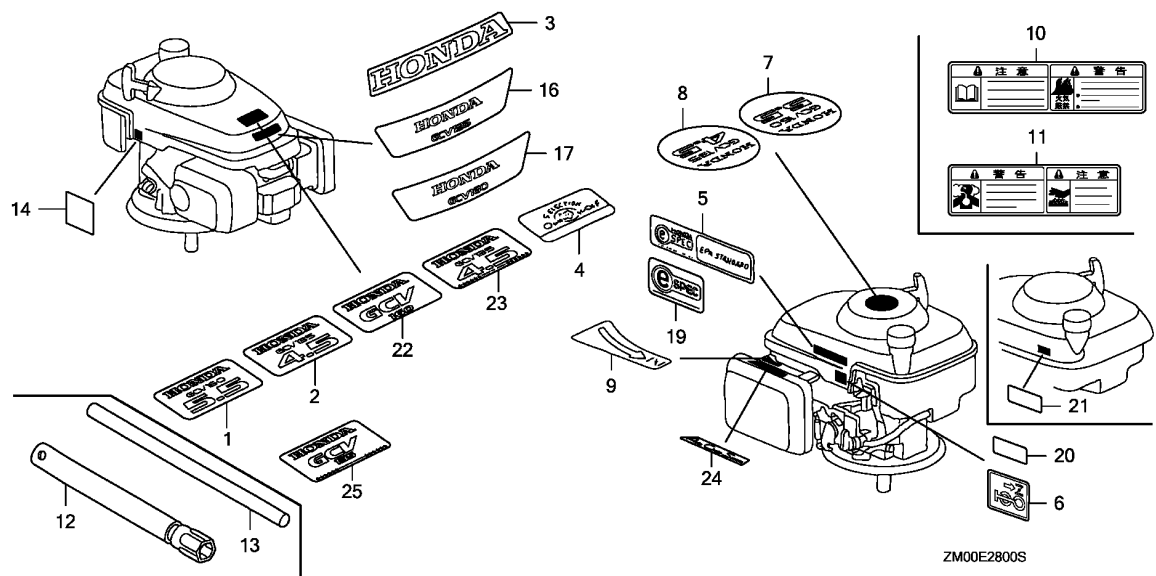
NO INFORMATION

ZM00E2800S

Ref. No.	Part No.	Description	Reqd. QTY						Serial No.	Parts catalogue code	
			GCV 135	GCV 135 E	GCV 160	GCV 160 A	GCV 135 A	GCV 160 E			
1	87101-ZM0-000	MARK, EMBLEM (GCV160 5.5) ...	-	-	1	1	-	-	-----	A1E8,A1G7,A1J,A2A,A2E8,A2E9,A2G7,N1C,N1E7,N1W7,N2E7,N2E8,N2E9,N5C,S1A1	
			-	-	1	-	-	-	-----	A1A,A1E7,A2E7,A2R,N1R	
			-	-	1	-	-	-	1212768	N2U	
			-	-	1	-	-	2414991	2425659	N1W9	
	87101-ZM0-010	-	-	1	1	-	-	-----	A1C,A2C	
			-	-	1	1	-	-	-----	N1U	
			-	-	1	-	1	-	-----	A1C,A2C,N1J1	
			-	-	1	-	-	2425660	-----	N1W9	
			-	-	1	-	1	-	-----	A1A,A1AF,A1AS,A1E,A1E7,A1G7,A1G9,A1M,A2A9,A2E7,A2G9	
			-	-	-	-	-	-	-----	A2R,A3E,A3E7,A3W8,E1A2,E1A4,E1G7,E2G7,E5A4,N1A,N1AF	
			-	-	-	-	-	-	-----	N1D,N1E1,N1E2,N1L,N1R,N1T8,N1T9,N1W9,N3T8,N3T9,N5A	
			-	-	-	-	-	-	-----	N5AF,N5MF,R1A,R3A1,S1A,S1E1,S2E,S2E1,S2G7,S3A2	
	87101-ZM0-800	-	-	-	-	-	1	-----	A1E8,A2E8,A2E9,A2G7,N1E7,N1W7,N2E7,N2E8,N2E9	
			-	-	-	-	-	1	-----	A3E9	
2	87101-ZM1-000	MARK, EMBLEM (GCV135 4.5) ...	1	1	-	-	-	-	-----	A1D,A1E1,A1J,A1U,A2D,A2E1,A2G9,A2U,A3E,A4E,N1E1,N2D	
			-	-	-	-	-	-	-----	N2E2,S2E,S2E1	
			1	-	-	-	-	-	-----	N1E,N2E3	
			1	-	-	-	-	-	1094954	N2U	
			1	-	-	-	-	-	1623909	A1A,A1C,A1E,A1E7,A1E8,A2A,A2C,A2E,A2E4,A2E7,A2E8,A2E9	
			-	-	-	-	-	-	-----	A2G7,A2R,N1D,N1U,N1W,N1W7,N2E,N2E1,N2E7,N2E8,N2E9	
	87101-ZM1-010	1	-	-	-	-	1	1623910	-----	A1A,A1C,A1E,A1E7,A1E8,A2A,A2C,A2E,A2E4,A2E7,A2E8,A2E9
			-	1	-	-	-	-	-----	A2G7,A2R,N1D,N1U,N1W,N1W7,N2E,N2E1,N2E7,N2E8,N2E9	
			-	1	-	-	-	-	-----	A1E,A1E7,A1E8,A1G9,A2E,A2E7,A2E8,A2E9,A2G7,A2R,N1E,N1U	
			-	-	-	-	-	-	-----	N1W,N1W7,N2E,N2E1,N2E3,N2E7,N2E8,N2E9,N2KA	
3	87531-ZM0-J00	MARK, HONDA	1	-	-	-	-	-	1623839	A2G,N1G	
			-	1	-	-	-	-	-----	A2G,N1G	
			-	-	1	-	-	-	2425659	A1P	

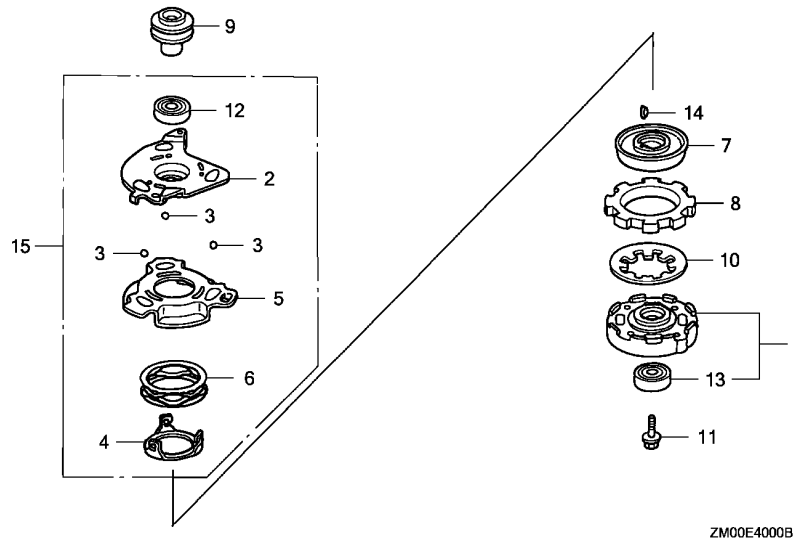
Ref. No.	Part No.	Description	Reqd. QTY						Serial No.	Parts catalogue code
			GCV 135	GCV 135 E	GCV 160	GCV 160 A	GCV 135 A	GCV 160 E		
(3)	87531-ZM0-J01	MARK, HONDA	1	-	-	-	-	-	1623840 -----	A2G,N1G
			-	-	1	-	-	-	2425660 -----	A1P
			-	-	-	-	-	1	-----	A1P
4	87101-ZM0-V50	EMBLEM (WOLF)	1	1	1	-	-	-	-----	A1W2,A1W7,N1W1,N1W2,N1W8
			-	-	1	-	-	-	2414990 -----	N1W9
			-	-	-	1	-	-	2324321 -----	A1W7,N1W8
			-	-	-	-	-	1	1284378 -----	A1W7,N1W8
	87101-ZM0-V51	-	-	-	1	-	-	2324322 -----	A1W7,N1W8
			-	-	-	-	-	1	1284379 -----	1344979 A1W7,N1W8
	87101-ZOM-U30	MARK, EMBLEM (WOLF)	-	-	-	-	-	1	-----	A3W7,N3W8,N3W9
			-	-	-	-	-	1	1344980 -----	A1W7,N1W8,N1W9
5	87135-ZE2-010	LABEL, E-SPEC (EPA STANDARD) (15.5X60.0)	1	1	-	-	-	-	-----	N1E1,N7E1
			-	-	1	-	-	-	2436351 -----	A1E,A1E7,A1E8,A1G7,A1P,A1W2,A1W7,A2E,A2E4,A2E7,A2E8 A2E9,A2G7,A3E,A7E1,N1,N1D,N1E1,N1E2,N1E7,N1R,N1U,N1W N1W1,N1W2,N1W7,N1W8,N1W9,N2,N2E,N2E1,N2E3,N2E7,N2E8 N2E9,N2U,N3U,N3V
6	87528-ZL8-000	MARK, CHOKE	-	-	-	1	-	-	-----	E1A4,E5A4,N1AF,N5AF,N5MF,N5R
7	87101-ZOL-780	MARK, EMBLEM (GCV160 5.5) ...	-	-	1	1	-	1	-----	A7E1,N7A1,N7S1
8	87101-ZOM-780	MARK, EMBLEM (GCV135)	1	1	-	-	-	-	-----	A7E1,N7E1,N7E2
9	87528-ZOL-800	MARK, CHOKE INDICATION	-	-	1	-	-	1	-----	STA1,S1A,S1A1,S1E1,S2E,S2E1,S3H2
	87528-ZOL-V20	-	-	-	1	-	-	-----	RTL1,R1A,R3A,R3A1,STL1,S3A
10	87520-ZL8-810	MARK A, COMBINATION (J)	-	-	1	-	-	1	-----	N1J1
11	87526-ZL8-810	MARK B, COMBINATION (J)	-	-	1	-	-	1	-----	N1J1
12	89218-ZE1-000	WRENCH COMP., SPARK PLUG	-	-	1	-	-	1	-----	N1J1
13	89219-805-000	HANDLE, BOX WRENCH	-	-	1	-	-	1	-----	N1J1
14	87594-VG3-010	MARK, OIL CAUTION	-	-	-	1	-	-	-----	NBL1,RTL1,R3A1,STA1,STL1
16	87102-ZOM-V60	MARK, EMBLEM (GCV135)	-	1	-	-	-	-	-----	A2G4
	87102-ZOM-V62	-	1	-	-	-	-	-----	A4G4,S4E4,S4G4
17	87102-Z1L-V50	MARK, EMBLEM (GCV160)	-	-	-	-	-	1	-----	A2G4
	87102-Z1L-V52	-	-	-	-	-	1	-----	A4G4,S4E4,S4G4
19	87135-ZE2-020	LABEL, E-SPEC (15.5X27.5) ...	1	1	-	-	-	1	-----	N1R,N1U,N2U
			1	-	-	1	-	1	-----	A1E,A1P,A2E,A2E4,A2G,N1D,N1E2,N1G,N1S,N1S7,N1W,N1W1 N2E,N2E1
			1	-	-	-	-	-	-----	A1E7,A1E8,A2E7,A2E8,A2E9,A2G7,A7E1,N1W7,N1W8,N2E7,N2E8 N2E9
			-	1	-	-	-	-	1935252 -----	A1E,A1E7,A1E8,A1G9,A2E,A2E7,A2E8,A2E9,A2G4,A2G7,A2G9 A7E1,N1E,N1S,N1S7,N1W,N1W7,N1W8,N2E,N2E1,N2E3,N2E7 N2E8,N2E9,S2E,S2E1
			-	-	1	-	-	1	-----	N1J1
			-	-	1	-	-	-	2436352 -----	A1E,A1E7,A1E8,A1G7,A1P,A1W2,A1W7,A2E,A2E4,A2E7,A2E8 A2E9,A2G7,A3E,A7E1,N1,N1D,N1E1,N1E2,N1E7,N1R,N1U,N1W N1W1,N1W2,N1W7,N1W8,N1W9,N2,N2E,N2E1,N2E3,N2E7,N2E8 N2E9,N2U,N3U,N3V
			-	-	-	1	-	-	-----	A3E
			-	-	-	1	-	-	2175263 -----	N1E1,N1R,N1U,N2U,N3U,N3V
			-	-	-	1	-	-	2786632 -----	A1E7,A1E8,A1W7,A2E7,A2E8,A2E9,A2G7,A7E1,N1E7,N1W7,N1W8 N1W9,N2E7,N2E8,N2E9
			-	-	-	-	-	1	-----	N1E1
			-	-	-	-	-	1	1423175 -----	A1E7,A1E8,A1G7,A1G9,A1W7,A2E7,A2E8,A2E9,A2G4,A2G7,A2G9 A3E7,A7E1,N1E7,N1T8,N1T9,N1W7,N1W8,N1W9,N2E7,N2E8,N2E9 S1E1,S2E,S2E1
20	87114-ZH7-810	LABEL, WARNING (NOT CERTIFIED FOR SALE)	-	-	-	1	-	-	-----	N1R,N1U,N2U,N3U,N3V





ZM00E2800S

Ref. No.	Part No.	Description	Reqd. QTY						Serial No.	Parts catalogue code
			GCV 135	GCV 135 E	GCV 160	GCV 160 A	GCV 135 A	GCV 160 E		
20)	87114-ZH7-820	LABEL, WARNING (NOT CERTIFIED FOR SALE)	-	1	-	-	-	-	-----	2363395 A2R
			-	-	-	1	-	-	-----	4062255 A1AE, A1AF, A3A, N1AF, N5AF
			-	-	-	1	-	-	-----	4803407 S3A2, S3H
	87114-ZH7-840	-	1	-	1	-	1	-----	A3G9, A3T9, A4G4, A4G7, A4G9, BHH1, C3E, C3E1, C4E, C4E1, N2KE S2E2, S2E3, S2G7, S3E9, S3G9, S4E4, S4E9, S4G4, S4G9
			-	-	-	1	-	-	5125202	A1E, A1E7, A1E8, A1M, A1W7, A2E7, A2E8, A2E9, A2G7, A3E, A7E1 N1E7, N1L, N1W7, N1W8, N1W9, N2E7, N2E8, N2E9, N7S1, S3H2
			-	-	-	1	-	-	8015580	E1G7, E2G7
			-	-	-	-	-	1	1739042	A1E7, A1E8, A1G7, A1W7, A2E7, A2E8, A2E9, A2G4, A2G7, A2G9, A3E7 A3E9, A3W7, A3W8, A7E1, N1E1, N1E2, N1E7, N1J1, N1T8, N1T9, N1W7 N1W8, N1W9, N2E7, N2E8, N2E9, N3T8, N3T9, N3W8, N3W9, S1E1, S2E S2E1
	87114-ZH7-821	-	1	-	-	-	-	2363396	A2R
			-	-	-	1	-	-	-----	A1A, A1AS, A1C, A2A, A2C, A2R, BHH, EHHB, E1A2, E1A4, E5A4, NBL1 N1A, N1C, N5A, N5C, N5MF, N5R, N7A1, RTL1, R1A, R3A, R3A1, STA1 STL1, S1A, S1A1, S1M, S3A
			-	-	-	1	-	-	4062256	A1AE, A1AF, A3A, N1AF, N5AF
			-	-	-	1	-	-	4803408	S3A2, S3H
	87114-Z3E-000	-	1	-	-	-	-	2363396	N2KA, N7E1, N7E2
			-	-	-	-	-	1	1764463	N7A1
21	87114-ZH7-840	LABEL, WARNING (NOT CERTIFIED FOR SALE)	-	-	-	1	-	-	-----	C1E, C1E1, C2E, C2E1
			-	-	-	-	-	1	1739042	A1P
			-	-	-	-	-	1	-----	C1E, C1E1, C2E, C2E1, C3E, C3E1, C4E, C4E1
22	87101-ZM0-020	MARK, EMBLEM (GCV160)	-	-	-	1	-	-	-----	A3G9, A3T9, A4G7, A4G9, S2E2, S2E3, S3E9, S3G9, S4E9, S4G9
	87101-ZM0-801	-	-	-	-	-	1	-----	N2KE
23	87101-ZM1-800	MARK, EMBLEM (GCV135 4.5)	-	1	-	-	-	-	-----	N2KE
24	87529-ZOY-840	MARK, AUTO CHOKE	-	1	-	-	-	1	-----	S2E2, S2E3, S3E9, S3G9, S4E4, S4E9, S4G4, S4G9
25	87101-ZM1-801	MARK, EMBLEM (GCV135)	-	1	-	-	-	-	-----	A3G9, A4G7, A4G9, S2E2, S2E3, S3E9, S3G9, S4E9, S4G9

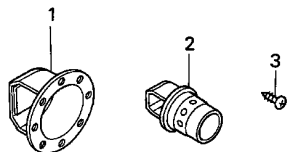


Ref. L.O.N. (Relative ref. Number) F.R.T.
No. Description

NO INFORMATION

Ref. No.	Part No.	Description	Reqd. QTY						Serial No.	Parts catalogue code
			GCV 135	GCV 135 E	GCV 160	GCV 160 A	GCV 135 A	GCV 160 E		
1	72600-VE1-G00	HOLDER ASSY., BLADE	-	-	-	1	-	-	-----	BHH,BHH1,EHHB
2	75111-VE1-G01	PLATE, BALL CONTROL	-	-	-	1	-	-	-----	BHH,BHH1,EHHB
3	75117-VE1-G00	BALL, STEEL	-	-	-	3	-	-	-----	BHH,BHH1,EHHB
4	75127-VE1-G00	PLATE, SPRING HOOK	-	-	-	1	-	-	-----	BHH,BHH1,EHHB
5	75130-Z0L-000	PLATE COMP., BRAKE	-	-	-	1	-	-	-----	BHH,BHH1,EHHB
6	75132-VE1-G00	SPRING, BALL PLATE	-	-	-	1	-	-	-----	BHH,BHH1,EHHB
7	75141-VE1-G00	DISK, DRIVE	-	-	-	1	-	-	-----	BHH,BHH1,EHHB
8	75150-VE1-G02	DISK COMP., DRIVEN	-	-	-	1	-	-	-----	BHH,BHH1,EHHB
9	75162-Z0L-000	PULLEY, DRIVE	-	-	-	1	-	-	-----	BHH,BHH1,EHHB
10	75183-VE1-G01	SPRING, CLUTCH	-	-	-	1	-	-	-----	BHH,BHH1,EHHB
11	90101-VE1-G00	BOLT, FLANGE, 10X24	-	-	-	1	-	-	-----	BHH,BHH1,EHHB
12	91051-VE1-G00	BEARING, RADIAL BALL, 6006	-	-	-	1	-	-	-----	BHH
	91051-VE1-R00	BEARING, RADIAL BALL, 6006 (SST)	-	-	-	1	-	-	-----	BHH
		BEARING, RADIAL BALL, 6006 (TSB)	-	-	-	1	-	-	-----	BHH,BHH1,EHHB
13	91052-VE1-G00	BEARING, RADIAL BALL, 6204	-	-	-	1	-	-	-----	BHH,BHH1,EHHB
14	94401-16150	KEY, WOODRUFF, 16X15	-	-	-	1	-	-	-----	BHH,BHH1,EHHB
15	75110-Z0L-000	PLATE ASSY., BALL CONTROL	-	-	-	1	-	-	-----	BHH1,EHHB





ZM00-B4001

Ref. L.O.N. (Relative ref. Number) F.R.T.
No. Description

NO INFORMATION

Ref. No.	Part No.	Description	Reqd. QTY						Serial No.	Parts catalogue code
			GCV 135	GCV 135 E	GCV 160	GCV 160 A	GCV 135 A	GCV 160 E		
1	18348-ZL8-000	CAP, MUFFLER	-	-	-	1	-	1	-----	A1AS,N1E1
	18348-Z0L-000	-	-	-	1	-	-	-----	N5MF
2	18430-ZL8-000	DEFLECTOR COMP., MUFFLER	-	-	-	1	-	1	-----	A1AS,N1E1
3	90055-ZE1-000	SCREW, TAPPING, 4X6	-	-	-	2	-	-	-----	N5MF
			-	-	-	4	-	4	-----	A1AS,N1E1

PART NO. INDEX

J 1

Part Number	Address	Page	Ref.	Part Number	Address	Page	Ref.	Part Number	Address	Page	Ref.	Part Number	Address	Page	Ref.
06000				13310-ZM0-600	E9	51	2	16016-ZG0-W00	G9	83	23	16551-ZM0-010	H8	98	1
				13310-ZM0-610	E9	51	3	16024-ZE1-811	G8	82	17		H15	105	1
06180-Z0J-000	G13	87	12	13310-ZM0-620	E9	51	4	16028-ZE0-005	G2	76	5		I2	108	1
				13310-ZM0-640	E9	51	7	16029-ZG0-901	G2	76	6	16555-Z0L-800	H9	99	2
				13310-ZM1-000	E9	51	1	16100-Z0L-003	G4	78	7		H15	105	2
11000				13310-ZM1-600	E9	51	2	16100-Z0L-781	G3	77	7		I2	108	2
11300-Z0L-405	E5	47	1	13310-ZM1-610	E9	51	3	16100-Z0L-782	G4	78	7	16555-Z0M-800	H8	98	2
11300-Z0L-821	E5	47	1	13310-ZM1-620	E9	51	4	16100-Z0L-801	G3	77	7	16555-ZM0-000	H9	99	2
11300-Z0M-405	E5	47	1	13310-ZM1-640	E9	51	7	16100-Z0L-802	G4	78	7		H15	105	2
11300-ZM0-405	E4	46	1	13331-357-000	G14	88	1	16100-Z0L-811	G4	78	7	16555-ZM1-000	H8	98	2
	E5	47	1		H4	94	1	16100-Z0L-812	G4	78	7		H15	105	2
11300-ZM0-406	E4	46	1		H5	95	2	16100-Z0L-841	G4	78	7	16561-Z0L-000	H9	99	3
11300-ZM0-407	E5	47	1					16100-Z0L-851	G4	78	7		I2	108	3
11300-ZM0-408	E5	47	1	14000				16100-Z0L-861	G5	79	7	16561-Z0M-870	H9	99	3
11300-ZM0-409	E5	47	1					16100-Z0L-871	G5	79	7	16561-Z1L-870	H9	99	3
11300-ZM0-810	E4	46	1	14320-ZL8-000	E13	55	1	16100-Z0M-003	G4	78	7	16561-ZM0-000	H9	99	3
11300-ZM0-V30	E4	46	1	14320-ZL8-010	E13	55	1	16100-Z0M-781	G3	77	7		I2	108	3
11344-MB0-000	H2	92	20	14324-ZL8-000	E13	55	2	16100-Z0M-801	G3	77	7	16561-ZM0-870	H9	99	3
	H5	95	1	14400-Z0J-004	E14	56	3	16100-Z0M-841	G4	78	7	16561-ZM0-V30	H9	99	3
				14400-Z0J-014	E14	56	3	16100-Z0M-851	G5	79	7		H15	105	3
12000				14400-ZL8-003	E14	56	3	16100-Z1L-003	G4	78	7		I2	108	3
12000-Z0L-405	E1	43	1	14400-ZL8-013	E14	56	3	16100-Z1L-851	G5	79	7	16561-ZM1-000	H9	99	3
12000-Z0L-406	E1	43	1	14400-ZL9-003	E13	55	3	16100-ZM0-013	G3	77	7	16561-ZM1-870	H9	99	3
12000-Z0M-405	E1	43	1	14400-ZL9-013	E13	55	3	16100-ZM0-023	G3	77	7	16561-ZM1-V00	H9	99	3
12000-ZL8-000	E1	43	1	14431-Z0J-000	E14	56	15	16100-ZM0-802	G3	77	7	16561-ZM1-V30	H9	99	3
12000-ZL8-405	E1	43	1	14431-ZL8-000	E14	56	4	16100-ZM0-803	G3	77	7		H15	105	3
12000-ZL8-415	E1	43	1	14441-Z0J-000	E15	57	16	16100-ZM0-804	G4	78	7	16562-ZM0-000	H9	99	4
12000-ZL8-425	E2	44	9	14441-ZL8-000	E14	56	5	16100-ZM1-003	G3	77	7		H15	105	4
12000-ZL9-000	E1	43	1	14461-ZL8-000	E14	56	6	16100-ZM1-013	G3	77	7		I2	108	4
12000-ZL9-405	E1	43	1	14711-Z0J-000	E3	45	11	16100-ZM1-023	G3	77	7	16562-ZM1-000	H9	99	4
12000-ZL9-415	E1	43	1	14711-ZL8-000	E3	45	11	16100-ZM1-801	G3	77	7		H15	105	4
12000-ZL9-425	E2	44	9	14721-ZL8-000	E3	45	12	16100-ZM1-802	G3	77	7	16563-Z0M-850	H14	104	29
12209-ZM0-003	E3	45	10	14751-ZL8-000	E3	45	13	16100-ZM1-803	G3	77	7	16563-Z1L-850	H14	104	29
12311-ZL8-000	E1	43	3	14771-Z0J-000	E3	45	14	16100-ZM1-822	G3	77	7	16574-ZE1-000	H15	105	5
12355-ZL8-000	E1	43	4	14771-ZE1-000	E3	45	14	16100-ZM1-823	G3	77	7	16575-ZE2-W00	H15	105	6
								16148-Z1L-851	G9	83	25	16576-891-000	H10	100	6
13000				15000				16155-ZM0-003	G5	79	8		H14	104	25
13010-Z0L-003	E11	53	6	15625-Z2L-801	E5	47	3	16155-ZM0-013	G5	79	8		H16	106	23
13010-Z0L-004	E11	53	6	15625-ZE1-003	E5	47	3	16166-Z0L-841	G5	79	9	16576-ZE7-300	H10	100	5
13010-Z0L-014	E12	54	6	15625-ZE6-000	E5	47	4	16166-Z0M-841	G5	79	9	16577-ZM0-V30	H15	105	7
13010-ZL8-003	E11	53	6	15631-Z0L-820	E6	48	5	16166-Z1L-851	G5	79	9	16578-Z0L-810	I2	108	5
13010-ZL8-004	E11	53	6	15631-ZM0-000	E6	48	5	16166-ZM0-003	G5	79	9	16578-ZE1-000	H15	105	8
13010-ZL8-024	E11	53	6	15639-ZM0-000	E6	48	6	16166-ZM1-003	G5	79	9	16580-Z0L-800	I2	108	6
13101-Z2A-000	E10	52	1	15650-Z0L-000	E7	49	7	16210-Z0M-780	G8	82	18	16580-Z0L-810	I2	108	6
13101-Z2A-010	E10	52	1	15650-Z0L-820	E5	47	2	16211-ZL8-000	G6	80	10	16580-Z0L-830	I2	108	6
13101-ZL8-000	E10	52	1	15650-Z0M-800	E5	47	2	16212-ZL8-000	G6	80	11	16580-Z0M-780	H13	103	20
13111-ZE0-000	E10	52	2	15650-ZM0-003	E6	48	7	16221-883-800	G6	80	12	16580-Z0M-810	H13	103	20
13200-Z0J-000	E11	53	3	15721-ZM0-000	G10	84	1	16228-Z0L-840	G6	80	13	16580-Z0M-811	H13	103	20
13200-ZL8-000	E11	53	3	15721-ZM1-000	G10	84	1	16228-ZL8-000	G6	80	13	16580-Z1L-850	H11	101	7
13200-ZL9-000	E10	52	3					16228-ZL8-000	G6	80	13	16580-Z1L-850	H11	101	7
13310-Z0L-650	E9	51	6					16508-ZM0-000	E7	49	8	16580-ZM0-000	H11	101	7
13310-Z0L-780	E9	51	8	16000				16508-ZM0-010	E7	49	8	16580-ZM0-020	H11	101	7
13310-Z0L-S20	E9	51	10	16010-883-015	G2	76	1	16510-ZM0-010	E7	49	9	16580-ZM0-800	H11	101	7
13310-Z0L-V70	E9	51	9	16013-ZL1-003	G2	76	2	16511-ZL8-000	E7	49	10	16580-ZM0-802	H11	101	7
13310-Z0M-780	E9	51	8	16015-887-782	G9	83	24	16512-ZM0-000	E7	49	11	16580-ZM0-871	H11	101	7
13310-Z1M-650	E9	51	6	16015-892-015	G2	76	3	16513-ZE1-000	E7	49	12	16580-ZM0-872	H11	101	7
13310-ZM0-000	E9	51	1	16016-892-005	G2	76	4	16531-ZE1-000	E7	49	13	16580-ZM0-880	H11	101	7
								16541-ZM0-000	E7	49	14	16580-ZM0-881	H11	101	7
								16551-ZM0-000	H8	98	1	16580-ZM0-882	H11	101	7
									H15	105	1	16580-ZM0-J20	H10	100	7

3

PART NO. INDEX

J 3

Part Number	Address	Page	Ref.	Part Number	Address	Page	Ref.	Part Number	Address	Page	Ref.	Part Number	Address	Page	Ref.
90013-883-000	H5	95	13	91000				95002-02100	F11	69	13				
	H6	96	6						F13	71	26				
	H7	97	6	91051-VE1-G00	I9	115	12	95002-40800-08	G1	75	34				
90014-952-000	E2	44	6	91051-VE1-R00	I9	115	12	95002-41000-08	G1	75	35				
	E7	49	15	91052-VE1-G00	I9	115	13				37				
	H1	91	10	91201-ZL8-003	E2	44	7	95002-45000	F13	71	27				
	H5	95	14	91202-ZL8-003	E7	49	19	95002-50000	F12	70	14				
90015-ZE5-010	H11	101	10	91202-ZM0-V31	E7	49	19		F13	71	28				
	H16	106	15	91231-891-003	E8	50	26	95003-25021-20	F13	71	29				
	I2	108	12	91301-ZOM-003	E14	56	13	95003-36010-20	F13	71	30				
90016-Z0A-V00	H14	104	26	91301-ZM0-V31	E14	56	13	95701-06014-08	G11	85	8				
90016-ZE7-W00	H13	103	19	91303-KF0-003	E7	49	20								
			23	91303-ZOM-003	E8	50	20	98000							
90016-ZE8-000	H16	106	16	91425-Z0L-801	F10	68	11								
	I2	108	13	91425-ZOM-801	F9	67	11	98079-54846	E2	44	8				
90016-ZM0-000	H12	102	11	91501-Z0L-800	F9	67	8	98079-55846	E2	44	8				
90016-ZM0-V30	H16	106	17					98079-56846	E2	44	8				
90017-883-000	H16	106	16	93000											
90018-ZE1-000	H1	91	11					99000							
	H5	95	15	93500-05006-1H	G7	81	15								
90022-888-000	I4	110	9	93500-05008-0A	H6	96	7	99101-124-0550	G7	81	16				
90022-888-010	H1	91	12		H14	104	28	99101-124-0580	G7	81	16				
	H4	94	12	93500-05010-0A	H7	97	7	99101-124-0600	G7	81	16				
	H5	95	16	93500-05012-0A	H7	97	8	99101-124-0620	G7	81	16				
90041-ZOM-780	F13	71	21	93500-05016-0A	H12	102	12	99101-124-0650	G8	82	16				
90041-ZL9-000	F9	67	9		I1	107	24	99101-124-0680	G8	82	16				
90043-Z0L-820	G1	75	38	93500-05028-0A	H13	103	19	99101-124-0700	G8	82	16				
90043-ZL8-000	F9	67	9	93891-05010-08	F9	67	10								
90055-ZE1-000	G12	86	8	93892-04012-00	H1	91	15								
	G13	87	11		H5	95	18								
	I10	116	3		H13	103	15								
90101-VE1-G00	I9	115	11		H16	106	20								
90114-SA0-000	H16	106	18	93894-05014-00	F13	71	24								
90121-952-000	E7	49	16	93903-24480	I5	111	3								
90131-883-000	E8	50	24												
90136-SM4-901	H16	106	19	94000											
90137-SH3-000	I5	111	3												
90201-878-003	H1	91	13	94050-06000	F13	71	25								
	H4	94	13		H12	102	13								
	H5	95	17		H16	106	21								
90201-ZM0-000	F2	60	11		I3	109	15								
90201-ZM0-J20	F2	60	11	94101-06800	E8	50	21								
90206-001-000	E14	56	12	94103-04000	H1	91	16								
90303-MR1-000	F2	60	11		H5	95	19								
90402-ZL8-000	E9	51	5		H13	103	16								
90451-ZE1-000	E7	49	17		H16	106	22								
90551-ZE0-000	E11	53	5	94109-12000	E8	50	25								
90601-ZOM-003	F13	71	22	94251-08000	E8	50	22								
90602-ZE1-000	E7	49	18	94301-08200	E8	50	23								
90659-680-013	F13	71	23	94401-16150	I9	115	14								
90681-959-003	H1	91	14	94511-14000	I3	109	16								
	H2	92	19												
	H4	94	10	95000											
	H5	95	10												
	H6	96	9	95001-55135-40	F9	67	11								
	I2	108	14	95001-55150-40	F10	68	11								
				95002-02080	F11	69	12								
					F16	74	33								
					G1	75	33								

3

PART NAME INDEX

Part name	Address	Page	Ref.	Part name	Address	Page	Ref.	Part name	Address	Page	Ref.
[A]											
ARM, EX. VALVE ROCKER	E14	56	5	BOLT, STUD	F9	67	9	COLLAR, IN. JOINT	H16	106	12
	E15	57	16		F13	71	21	COLLAR, STOPPER	H13	103	18
ARM, GOVERNOR	H8	98	1	BRACKET, FUEL COCK	G1	75	38				22
	H15	105	1	BRAKE ASSY.	F5	63	3	CONTROL ASSY., CHOKE	G8	82	21
	I2	108	1	BRAKE SUB ASSY.	G16	90	7	CORD, COMBINATION	H6	96	11
ARM, IN. VALVE ROCKER	E14	56	4		H2	92	21	CORD, STOP SWITCH	G15	89	5
			15		H3	93	23		H2	92	18
ARRESTER COMP., SPARK	G13	87	9		H5	95	11		H4	94	8
ARRESTER KIT, SPARK	G13	87	12	[C]					H5	95	8
				CAP ASSY., FUEL TANK	F5	63	4	CORD, TERMINAL EARTH	H6	96	4
				CAP, CHOKE DUST	G9	83	25				8
				CAP, MUFFLER	G12	86	6				10
					I10	116	1	COVER COMP., BREATHER	E1	43	4
				CARBURETOR ASSY.	G3	77	7	COVER COMP., FAN	F6	64	6
					G4	78	7		F7	65	6
					G5	79	7		F8	66	6
				CASE ASSY., AIR CLEANER	G11	85	3		F9	67	6
				CHAMBER SET, FLOAT	G2	76	3	COVER, AIR CLEANER	G11	85	6
					G9	83	24	COVER, HEAD	E1	43	3
				CIRCLIP, EXTERNAL, 14MM	I3	109	16	COVER, TOP	I5	111	2
				CLAMPER, CORD	H4	94	6	CRANKSHAFT COMP.	E9	51	1
					H5	95	6				2
					H6	96	2				3
				CLAMPER, STOP SWITCH CORD	H4	94	4				4
							5				6
					H5	95	4				7
							5				8
				CLAMP, TUBE	G1	75	34				9
							35				10
							37	[D]			
				CLIP A, CABLE	H1	91	14	DEFLECTOR COMP., MUFFLER	G12	86	7
					H2	92	19		I10	116	2
					H4	94	10	DISK COMP., DRIVEN	I9	115	8
					H5	95	10	DISK, DRIVE	I9	115	7
					H6	96	9	DOWEL PIN, 8X20	E8	50	23
					I2	108	14	[E]			
				CLIP, GOVERNOR HOLDER	E7	49	18	ELEMENT, AIR CLEANER	G10	84	2
				CLIP, PISTON PIN, 13MM	E11	53	5	EMBLEM	I7	113	4
				CLIP, PURSE LOCK	F13	71	22	EXTENSION, OIL FILLER	E6	48	5
				CLIP, TUBE	F11	69	12	[F]			
							13	FLOAT SET	G2	76	2
					F12	70	14	FLYWHEEL ASSY.	G15	89	4
					F13	71	26		H2	92	22
							27		H3	93	22
							28		H4	94	7
					F16	74	33		H5	95	7
				CLIP, WIRE HARNESS	G1	75	33	FLYWHEEL COMP.	H2	92	17
				COCK ASSY., FUEL	F13	71	23	[G]			
					F4	62	2	GASKET, MUFFLER	G12	86	5
					F13	71	31	GAUGE ASSY., OIL LEVEL	E5	47	2
				COIL ASSY., IGNITION	G15	89	3				
					H3	93	24				
					H4	94	3				
					H5	95	3				
				COLLAR, FAN COVER	G1	75	36				
				COLLAR, FR. WINKER	F9	67	8				
				COLLAR, FUEL COCK	F9	67	8				



PART NAME INDEX

K 2

Part name	Address	Page	Ref.	Part name	Address	Page	Ref.	Part name	Address	Page	Ref.
GAUGE ASSY., OIL LEVEL	E6	48	7	[M]				PACKING, OIL FILLER CAP.....	E5	47	3
	E7	49	7								4
GOVERNOR ASSY.	E7	49	9	MARK A, COMBINATION	I7	113	10	PAN ASSY., OIL.....	E4	46	1
GRIP, STARTER	F1	59	8	MARK B, COMBINATION	I7	113	11		E5	47	1
GROMMET A, RR. COVER	H2	92	20	MARK, AUTO CHOKE	I8	114	24	PIN, GOVERNOR WEIGHT.....	E7	49	12
	H5	95	1	MARK, CHOKE	I7	113	6	PIN, LOCK, 8MM.....	E8	50	22
GROMMET, CHOKE ROD	I2	108	8	MARK, CHOKE INDICATION	I7	113	9	PIN, PISTON.....	E10	52	2
	I5	111	1	MARK, EMBLEM.....	I6	112	1	PISTON.....	E10	52	1
GUIDE COMP., AIR	G6	80	14					PLATE ASSY., BALL CONTROL.....	I9	115	15
					I7	113		PLATE COMP., BRAKE.....	I9	115	5
[H]								PLATE, ARRESTER NUMBER.....	G13	87	10
HANDLE, BOX WRENCH	I7	113	13					PLATE, BALL CONTROL.....	I9	115	2
HOLDER ASSY., BLADE	I9	115	1					PLATE, LEVER CENTER.....	H15	105	7
HOLDER, CABLE	H10	100	6		I8	114		PLATE, SIDE.....	G14	88	2
	H14	104	24						H4	94	2
			25						H7	97	1
			27	MARK, ENGINE SWITCH	H7	97	5	PLATE, SPRING HOOK.....	I9	115	4
			23	MARK, HONDA	I6	112	3	PLUG, SPARK.....	E2	44	8
	H16	106	23		I7	113	3	PROTECTOR COMP., MUFFLER.....	G12	86	2
	I1	107	25		I7	113	3	PROTECTOR, MUFFLER.....	G12	86	2
HOLDER, GOVERNOR WEIGHT	E7	49	11	MARK, OIL CAUTION.....	I7	113	14	PULLEY COMP., CAMSHAFT.....	E13	55	1
HOLDER, WIRE	H1	91	14	MARK, THROTTLE INDICATION.....	H16	106	14	PULLEY, DRIVE.....	I9	115	9
	H2	92	19	MOTOR ASSY., STARTER.....	H6	96	3	PUMP ASSY., FUEL.....	F12	70	16
	H4	94	10	MUFFLER COMP.	G12	86	1				
	H5	95	10					[R]			
	H6	96	1					RETAINER, IN. VALVE SPRING....	E3	45	14
			9	[N]				RETAINER, VALVE SPRING.....	E3	45	14
	H7	97	2	NOZZLE, MAIN	G5	79	9	RING SET, PISTON.....	E11	53	6
				NUT, CENTER PANEL	F3	61	15		E12	54	6
[I]				NUT, FLANGE CAP, 6MM	F2	60	11	ROD ASSY., CONNECTING.....	E10	52	3
INSULATOR COMP., CARBURETOR ..	G8	82	18	NUT, FLANGE, 6MM	F2	60	11		E11	53	3
INSULATOR, CARBURETOR	G6	80	10		F13	71	25	ROD, CHOKE.....	H11	101	9
					H12	102	13		H16	106	11
[J]					H16	106	21		I2	108	9
JET, MAIN,	G7	81	16	NUT, SELF-LOCK, 5MM	H16	106	19				10
	G8	82	16	NUT, SELF-LOCK, 6MM	H16	106	18	ROD, GOVERNOR.....	H8	98	2
				NUT, SPECIAL, 14MM	H1	91	13		H9	99	2
					H4	94	13		H15	105	2
[K]					H5	95	17		I2	108	2
KEY, COMBINATION SWITCH	H7	97	4	NUT, TAPPET ADJUSTING.....	E14	56	12	ROD, STOP.....	I4	110	8
KEY, SPECIAL WOODRUFF, 25X18 ..	G14	88	1	NUT, UPPER COWL	F3	61	15	ROPE, RECOIL STARTER.....	F1	59	9
	H4	94	1						F2	60	9
	H5	95	2	[O]				RUBBER, SUPPORTER.....	F4	62	1
KEY, WOODRUFF, 16X15	I9	115	14	OIL SEAL, 25.4X62X6	E2	44	7				
KNOB, RECOIL STARTER	F3	61	16	OIL SEAL, 28X41.25X6	E7	49	19	[S]			
				OIL SEAL, 6X11X4	E8	50	26	SCREW-WASHER, 4X12.....	H1	91	15
[L]				O-RING, 14.8X2.4	E7	49	20		H5	95	18
LABEL, E-SPEC	I7	113	5	O-RING, 6.8X1.9	E8	50	20		H13	103	15
			19		E14	56	13		H16	106	20
LABEL, WARNING	I7	113	20	[P]				SCREW-WASHER, 5X10.....	F9	67	10
	I8	114	20	PACKING SET	G2	76	1	SCREW-WASHER, 5X14.....	F13	71	24
			21	PACKING, AIR CLEANER	G11	85	5	SCREW SET.....	G2	76	5
LEVER ASSY., CHOKE	I4	110	14	PACKING, CARBURETOR	G6	80	12		G9	83	6
LEVER, CHOKE	H15	105	10	PACKING, INSULATOR	G6	80	11	SCREW SET A.....	G2	76	4
	I2	108	7					SCREW SET, DRAIN.....	G8	82	17
								SCREW, PAN, 5X10.....	H7	97	7

PART NAME INDEX

K 3

Part name	Address	Page	Ref.	Part name	Address	Page	Ref.	Part name	Address	Page	Ref.
SCREW, PAN, 5X12	H7	97	8	TUBE, BREATHER	G10	84	1				
SCREW, PAN, 5X16	H12	102	12	TUBE, DIAPHRAGM	F12	70	18				
	I1	107	24	TUBE, FUEL	F6	64	5				
SCREW, PAN, 5X28	H13	103	19		F14	72	32				
SCREW, PAN, 5X6	G7	81	15		F15	73	32				
SCREW, PAN, 5X8	H6	96	7	TUBE, FUEL TANK	F9	67	11				
	H14	104	28		F12	70	19				
SCREW, RECESSED, 5X18	H14	104	26	TUBE, FUEL, 5.3X135	F9	67	11				
SCREW, RECESSED, 5X28	H13	103	19	TUBE, FUEL, 5.3X150	F10	68	11				
				TUBE, VINYL, 11X13X100	F13	71	30				
SCREW, TAPPET ADJUSTING	E14	56	11	TUBE, VINYL, 9X11X210	F13	71	29				
SCREW, TAPPING, 4X16	I5	111	3								
SCREW, TAPPING, 4X6	G12	86	8	[V]							
	G13	87	11	VALVE, EX.	E3	45	12				
	I10	116	3	VALVE, FLOAT	G5	79	8				
SEAL, VALVE STEM	E3	45	10	VALVE, IN.	E3	45	11				
SHAFT COMP., GOVERNOR HOLDER ..	E7	49	8								
SHAFT, CAM PULLEY	E13	55	2	[W]							
SHAFT, GOVERNOR ARM	E7	49	14	WASHER, CONTROL LEVER	H15	105	6				
SHAFT, ROCKER ARM	E14	56	6	WASHER, DRAIN PLUG, 12MM	E8	50	25				
SLIDER, GOVERNOR	E7	49	13	WASHER, EXTENSION LOCK	E6	48	6				
SPACER, CONTROL LEVER	H15	105	8	WASHER, PLAIN, 4MM	H1	91	16				
	I2	108	5		H5	95	19				
SPRING, BALL PLATE	I9	115	6		H13	103	16				
SPRING, BRAKE LEVER	G16	90	8		H16	106	22				
	H5	95	12	WASHER, PLAIN, 6MM	E8	50	21				
SPRING, CABLE RETURN	I4	110	2	WASHER, THRUST	E9	51	5				
SPRING, CHOKE LEVER	I4	110	5	WASHER, THRUST, 6MM	E7	49	17				
SPRING, CLUTCH	I9	115	10	WEIGHT, GOVERNOR	E7	49	10				
SPRING, CONTROL ADJUSTING	H13	103	17	WRENCH COMP., SPARK PLUG	I7	113	12				
SPRING, CONTROL LEVER RETURN ..	H11	101	8								
SPRING, GOVERNOR	H9	99	3								
	H15	105	3								
	I2	108	3								
SPRING, IDLE GOVERNOR	H14	104	29								
SPRING, LEVER	H10	100	5								
	H15	105	5								
SPRING, RETURN	I4	110	2								
SPRING, THROTTLE RETURN	H9	99	4								
	H15	105	4								
	I2	108	4								
SPRING, VALVE	E3	45	13								
STARTER ASSY., RECOIL	E16	58	1								
	F1	59	1								
	F3	61	12								
			13								
			14								
STAY, FUEL PUMP	F12	70	17								
SWITCH ASSY., COMBINATION	H7	97	3								
SWITCH ASSY., ENGINE STOP	G16	90	6								
	H5	95	9								
	H13	103	14								
	H16	106	13								
	I2	108	11								
[T]											
TUBE B, FUEL	F13	71	20								

1

FOREWORD INDEX

2

ENGINE GROUP

3

PART NUMBER INDEX

4

PART NAME INDEX

HONDA
The Power of Dreams



PARTS CATALOGUE NEWS

Honda Motor Co., Ltd. Service Division

PARTS CATALOGUE - CORRECTED

Printed in Japan

CODE NO.	BOOKLET TYPE	13ZM00E7
	MICRO-FICHE	13ZM00EG/FG
PARTS CATALOGUE NEWS	GCV135 GCV135E GCV160 GCV160A GCV135A GCV160E	
NEWS NO.	001	

Block No.	Ref. No.	Note	Part No.	Description	Reqd. QTY						Serial No.	Parts catalogue code
					GCV 135	GCV 135 E	GCV 160	GCV 160 A	GCV 135 A	GCV 160 E		
E-15	8	T	95701-06014-08	BOLT, FLANGE, 6X14	1	-	1	1	1	1		A1E, A1E7, A1E8, A1G9, A2E, A2E7, A2E8, A2E9, A2G A2G4, A2G7, A2G9, A2R, A3G9, A4G4, A4G7, A4G9, A7E1 N1E, N1G, N1S, N1S7, N1U, N1W, N1W7, N1W8, N2E, N2E1 N2E3, N2E7, N2E8, N2E9, N2KA, N2KE, N7E1, N7E2, S2E S2E1

NOTE A:PART NO. CHANGE D:NEWLY PROVIDED E:PART NO.DELETION K:REQUIRED NO. CORRECTION L:APPLICATION SERIAL NO. CORRECTION
T:APPLICATION CORRECTION Z:REMARKS CHANGE



PARTS CATALOGUE NEWS

Honda Motor Co., Ltd. Service Division

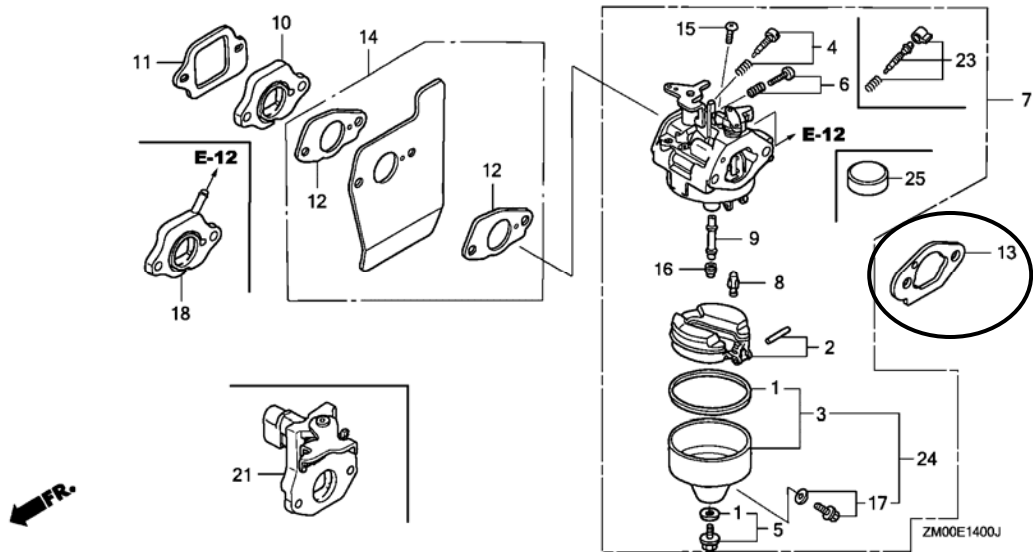
PARTS CATALOGUE - CORRECTED

Printed in Japan

CODE NO.	BOOKLET TYPE	13ZM00E7
	MICRO-FICHE	13ZM00EG/FG
PARTS CATALOGUE NEWS	GCV135 GCV135E GCV160 GCV160A GCV135A GCV160E	
NEWS NO.	002	

Block No.	Ref. No.	Note	Part No.	Description	Reqd. QTY						Serial No.	Parts catalogue code
					GCV 135	GCV 135 E	GCV 160	GCV 160 A	GCV 135 A	GCV 160 E		

ILLUSTRATION CORRECTED



NOTE A:PART NO. CHANGE D:NEWLY PROVIDED E:PART NO.DELETION K:REQUIRED NO. CORRECTION L:APPLICATION SERIAL NO. CORRECTION
T:APPLICATION CORRECTION Z:REMARKS CHANGE



PARTS CATALOGUE NEWS

Honda Motor Co., Ltd. Service Division

Printed in Japan

CODE NO.	BOOKLET TYPE	13ZM00E7
	MICRO-FICHE	13ZM00EG/FG
PARTS CATALOGUE NEWS	GCV135 GCV135E GCV160 GCV160A GCV135A GCV160E	
NEWS NO.	003	

GCV160A-A1AW TYPE sales parts information

NOTE: This Parts Catalogue News explains only the parts of the different model that are produced to conform to addition of the GCV160A-A1AW type.

As for the parts not listed on this Parts Catalogue News, use the parts of the GCV160A-A1A type.

•Models, parts catalogue codes and applicable serial numbers

Model	Type		Parts catalogue type	Applicable engine serial No.	Applicable carburetor identification No.
GCV160A	A1A	Base Type	A1A	GJAEA-1000001~	BB62B D / E BB62W A
	A1AW	Additional Type	A1AW		BB62W A

•Features of each type		Base type	Additional type
Model		GCV160A	
Specifications		A1A	A1AW
Type			
Crankshaft	(12-20)Øx133.8mm		
	(10-22.2)Ø x 100.4mm		
	(12-22.2)Ø x 117.4mm		
	(10.5-22.2)Ø x 117.4mm		
	(12-22.2)Ø x 135.7mm	●	●
	(12-25)Ø x 117.4mm		
	(12-25)Ø x 135.7mm		
	(13-25)Ø x 135.7mm		
	M14 Stepped thread		
Recoil starter			
Recoil starter (Long rope)		●	●
Flywheel brake		●	●

PARTS CATALOGUE NEWS

BOOKNo. : 13ZMO0E7

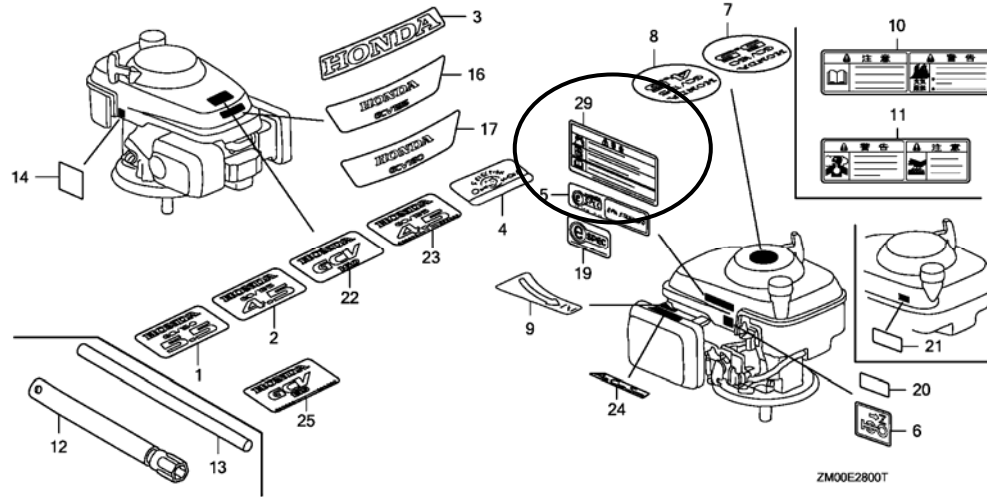
Block No.	Ref. No.	Part No.	Description	Reqd. QTY						Base Part No.	Parts catalogue code
				GCV 135	GCV 135 E	GCV 160	GCV 160 A	GCV 135 A	GCV 160 E		
E-3	1	12000-ZL-406	BARREL ASSY., CYLINDER	-	-	-	1	-	-	12000-ZL8-405	
	8	98079-55846	PLUG, SPARK (BPR5ES) (NGK)	-	-	-	1	-	-	98079-56846	
	11	14711-ZL8-000	VALVE, IN. (TECHNOSTAR)	-	-	-	1	-	-		
	14	14771-Z0J-000	RETAINER, VALVE SPRING	-	-	-	2	-	-	14771-ZE1-000	
E-8	3	13200-Z0J-000	ROD ASSY., CONNECTING	-	-	-	1	-	-	13200-ZL8-000	
	6		RING SET, PISTON (TEIKOKU) ...	-	-	-	0	-	-	13010-ZL8-024	
E-10	1	14320-ZL8-010	PULLEY COMP., CAMSHAFT	-	-	-	1	-	-	14320-ZL8-000	
	3	14400-Z0J-014	BELT, TIMING (84HU7 G-200) ...	-	-	-	1	-	-	14400-Z0J-004	
E-12	4		CAP ASSY., FUEL TANK	-	-	-	0	-	-	17620-ZL8-003	
		17620-Z0M-000	-	-	-	1	-	-		
	6	19610-Z0L-000ZA	COVER COMP., FAN *NH1*..... BLACK	-	-	-	1	-	-	19610-ZM0-010ZA	
E-15	3	17220-ZM0-010	CASE ASSY., AIR CLEANER	-	-	-	1	-	-	17220-ZM0-000	
E-16	1	18310-Z0Y-000	MUFFLER COMP.	-	-	-	1	-	-	18310-ZM0-000	
E-19	3	30500-ZL8-014	COIL ASSY., IGNITION (TEC) (USE FOR F/W OF TEC)	-	-	-	1	-	-	30500-ZL8-004	
	5	32195-Z0L-000	CORD, STOP SWITCH	-	-	-	1	-	-	32195-ZM0-000	
	13	90201-Z0T-800	NUT, SPECIAL, 14MM	-	-	-	1	-	-	90201-878-003	
	14	51125-Z0L-003	HOLDER, WIRE (FASTEX)	-	-	-	1	-	-		
E-22	6		HOLDER, CABLE	-	-	-	0	-	-	16576-891-000	
	7	16580-ZM0-030	BASE COMP., CONTROL	-	-	-	1	-	-	16580-ZM0-020	
	24	16617-VG3-000	HOLDER, CABLE	-	-	-	1	-	-		

PARTS CATALOGUE NEWS

BOOKNo. : 13ZM00E7

Block No.	Ref. No.	Part No.	Description	Reqd. QTY						Base Part No.	Parts catalogue code
				GCV 135 E	GCV 135 E	GCV 160	GCV 160 A	GCV 135 A	GCV 160 E		

E-28 LABEL/TOOL



E-28	1		MARK, EMBLEM (GCV160 5.5)	-	-	-	0	-	-	87101-ZM0-010
	20		LABEL, WARNING (NOT CERTIFIED FOR SALE)	-	-	-	0	-	-	87114-ZH7-821
	22	87101-ZM0-020	MARK, EMBLEM (GCV160)	-	-	-	1	-	-	
	29	87516-ZOL-800	MARK, OPERATOR CAUTION	-	-	-	1	-	-	



PARTS CATALOGUE NEWS

Honda Motor Co., Ltd. Service Division

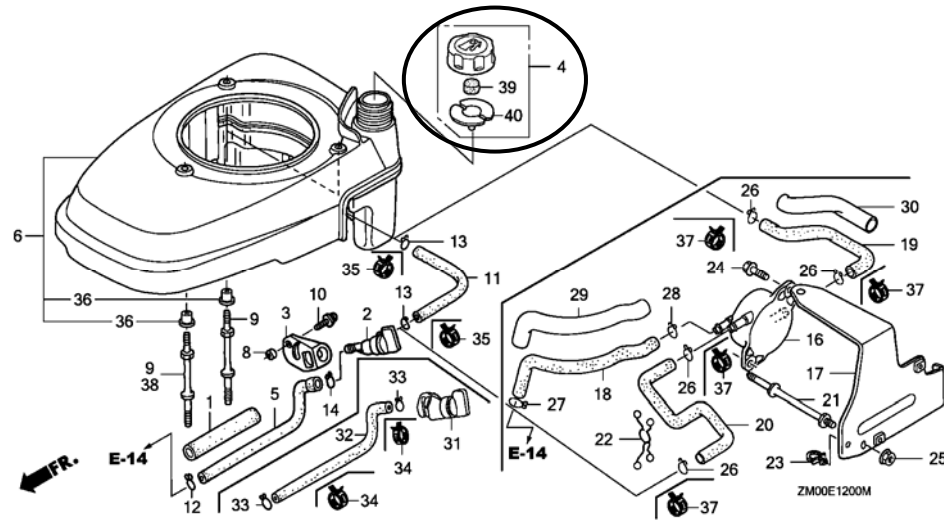
PARTS CATALOGUE - CORRECTED

Printed in Japan

CODE NO.	13ZM00E7
PARTS CATALOGUE NEWS	GCV135 GCV135E GCV160 GCV160A GCV135A GCV160E
NEWS NO.	004

Block No.	Ref. No.	Note	Part No.	Description	Reqd. QTY						Serial No.	Parts catalogue code
					GCV 135	GCV 135 E	GCV 160	GCV 160 A	GCV 135 A	GCV 160 E		

E-12 FAN COVER



E-12	39	D	17622-ZL8-003	SPONGE, FUEL CAP BREATHER	1	-	1	-	1	-
------	----	---	---------------	-----------------------------------	---	---	---	---	---	---

NOTE A:PART NO. CHANGE D:NEWLY PROVIDED E:PART NO.DELETION K:REQUIRED NO. CORRECTION L:APPLICATION SERIAL NO. CORRECTION
T:APPLICATION CORRECTION Z:REMARKS CHANGE

PARTS CATALOGUE NEWS

BOOKNo. : 13ZMOOE7

Block No.	Ref. No.	Note	Part No.	Description	Reqd. QTY						Serial No.	Parts catalogue code	
					GCV 135	GCV 135 E	GCV 160	GCV 160 A	GCV 135 A	GCV 160 E			
					-	-	-	1	-	-	-----	-----	A1A, A1AE, A1AF, A1AS, A1C, A1E, A1E7, A1E8, A1M A1W7, A2A, A2C, A2E7, A2E8, A2E9, A2G7, A2R, A3A A3E, A7E1, BHH, BHH1, C1E, C1E1, C2E, C2E1, EHNB E1A2, E1A4, E1G7, E2G7, E5A4, NBL1, N1A, N1AF, N1C N1E1, N1E7, N1L, N1R, N1U, N1W7, N1W8, N1W9, N2E7 N2E8, N2E9, N2U, N3U, N3V, N5A, N5AF, N5C, N5MF, N5R N7A1, N7S1, RTL1, R1A, R3A, R3A1, STA1, STL1, S1A S1A1, S1M, S2G7, S3A, S3A2, S3H, S3H2
		D	17622-888-010	-	1	-	-	-	1			
					-	-	-	1	-	-	-----	-----	A1AW, C3E, C3E1, C4E, C4E1
	40	D	17624-ZL8-003	PACKING, FUEL CAP	1	-	1	-	1	-			
					-	-	-	1	-	-	-----	-----	A1A, A1AE, A1AF, A1AS, A1C, A1E, A1E7, A1E8, A1M A1W7, A2A, A2C, A2E7, A2E8, A2E9, A2G7, A2R, A3A A3E, A7E1, BHH, BHH1, C1E, C1E1, C2E, C2E1, EHNB E1A2, E1A4, E1G7, E2G7, E5A4, NBL1, N1A, N1AF, N1C N1E1, N1E7, N1L, N1R, N1U, N1W7, N1W8, N1W9, N2E7 N2E8, N2E9, N2U, N3U, N3V, N5A, N5AF, N5C, N5MF, N5R N7A1, N7S1, RTL1, R1A, R3A, R3A1, STA1, STL1, S1A S1A1, S1M, S2G7, S3A, S3A2, S3H, S3H2
		D	17624-ZE7-000	-	1	-	-	-	1			
					-	-	-	1	-	-	-----	-----	A1AW, C3E, C3E1, C4E, C4E1

NOTE A:PART NO. CHANGE D:NEWLY PROVIDED E:PART NO.DELETION K:REQUIRED NO. CORRECTION L:APPLICATION SERIAL NO. CORRECTION
T:APPLICATION CORRECTION Z:REMARKS CHANGE



PARTS CATALOGUE NEWS

Honda Motor Co., Ltd. Service Division

PARTS CATALOGUE - CORRECTED

Printed in Japan

CODE NO.	13ZM00E7
PARTS CATALOGUE NEWS	GCV135 GCV135E GCV160 GCV160A GCV135A GCV160E
NEWS NO.	005

Block No.	Ref. No.	Note	Part No.	Description	Reqd. QTY						Serial No.	Parts catalogue code	
					GCV 135	GCV 135 E	GCV 160	GCV 160 A	GCV 135 A	GCV 160 E			
E-3	8	L	98079-56846	PLUG, SPARK (BPR6ES) (NGK)	1	-	1	-	1	1			A1A, A1AE, A1AF, A1AS, A1C, A1M, A1W7, A2A, A2C, A2G A3A, A3E, A7E1, BHH, BHH1, C1E, C1E1, C2E, C2E1 EHHB, E1A2, E1A4, E1G7, E2G7, E5A4, NBL1, N1A, N1AF N1C, N1E1, N1E7, N1G, N1L, N1R, N1W9, N2U, N3U, N3V N5A, N5AF, N5C, N5MF, N5R, N7A1, N7E1, N7E2, N7S1 RTL1, R1A, R3A, R3A1, STA1, STL1, S1A, S1A1, S1M S2G7, S3A, S3A2, S3H, S3H2
					-	1	-	1	-	-	-----	-----	A1E, A1E7, A1E8, A1G9, A2E, A2E7, A2E8, A2E9, A2G4 A2G7, A2G9, A2R, A3G9, A4G4, A4G7, A4G9, N1E, N1S N1S7, N1U, N1W, N1W7, N1W8, N2E, N2E1, N2E3, N2E7 N2E8, N2E9, N2KA, N2KE, S2E, S2E1
					-	-	-	1	-	-	-----	-----	A1E, A1E7, A1E8, A2E7, A2E8, A2E9, A2G7, A2R, N1U N1W7, N1W8, N2E7, N2E8, N2E9
					-	1	-	-	-	-	-----	2720018	S2E2, S2E3, S3E9, S3G9, S4E4, S4E9, S4G4, S4G9
E-22	20		16580-ZOM-780	BASE COMP., CONTROL	1	-	1	1	-	-			A7E1, N7A1, N7E1, N7E2, N7S1
					-	1	-	-	-	-	-----	2131422	A7E1, N7E1, N7E2
					-	-	-	-	-	1	-----	2112488	A7E1, N7A1
E-3	T		98079-54846	PLUG, SPARK (BPR4ES) (NGK)	-	1	-	-	-	-			A1E, A1E7, A1E8, A1G9, A2E, A2E7, A2E8, A2E9, A2G4 A2G7, A2G9, A2R, A3G9, A4G4, A4G7, A4G9, N1E, N1S N1S7, N1U, N1W, N1W7, N1W8, N2E, N2E1, N2E3, N2E7 N2E8, N2E9, N2KA, N2KE, S2E, S2E1
					-	1	-	-	-	-	-----	2720019	
					-	-	-	-	-	-	-----	-----	
					-	1	-	-	-	-	-----	-----	

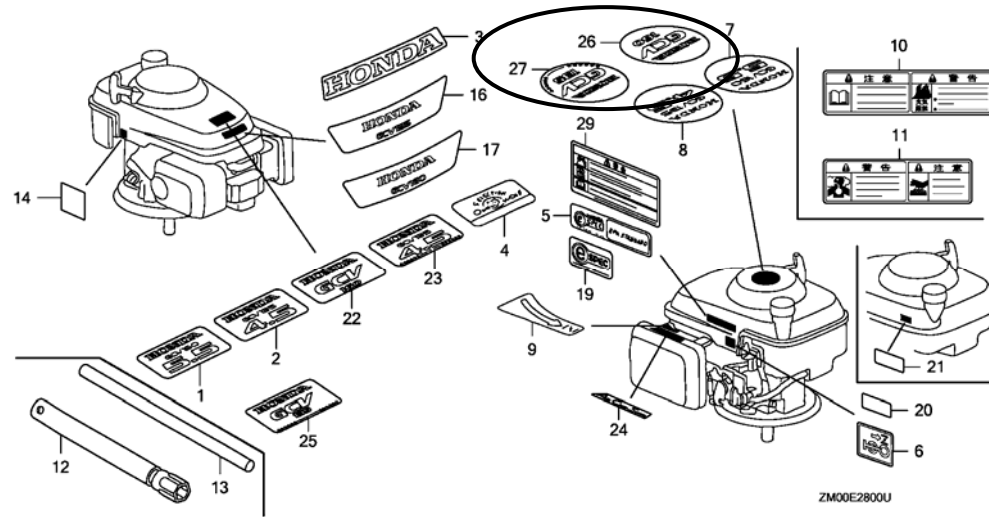
NOTE A:PART NO. CHANGE D:NEWLY PROVIDED E:PART NO.DELETION K:REQUIRED NO. CORRECTION L:APPLICATION SERIAL NO. CORRECTION
T:APPLICATION CORRECTION Z:REMARKS CHANGE

PARTS CATALOGUE NEWS

BOOKNo. : 13ZMO0E7

Block No.	Ref. No.	Note	Part No.	Description	Reqd. QTY						Serial No.	Parts catalogue code	
					GCV 135 E	GCV 135 A	GCV 160 E	GCV 160 A	GCV 135 A	GCV 160 E			
		L	16580-ZOM-810	-	1	-	-	-	-	-----	2641870	S2E, S2E1
					-	-	-	1	-	-	-----	-----	S2G7
					-	-	-	-	-	1	-----	2130839	S1E1, S2E, S2E1
	A		16580-ZOM-781	-	1	-	-	-	-	-----	2131423	A7E1, N7E1, N7E2
					-	-	-	-	-	1	-----	2112489	A7E1, N7A1
	T		16580-ZOM-811	-	1	-	-	-	1	-----	-----	S2E2, S3E9, S4E4, S4E9
					-	1	-	-	-	-	-----	2641871	S2E, S2E1
					-	-	-	-	-	1	-----	2130840	S1E1, S2E, S2E1

E-28 LABEL/TOOL



E-28	1	T	87101-ZMO-800	MARK, EMBLEM (GCV160 5.5)	-	-	-	-	-	1	-----	2176869	A1E7, A1E8, A1G7, A1G9, A2E7, A2E8, A2E9, A2G7 A2G9, A3E7, A3E9, A3W8, N1E1, N1E2, N1E7, N1T8 N1T9, N1W7, N2E7, N2E8, N2E9, N3T8, N3T9, S1E1, S2E S2E1
	7	L	87101-ZOL-780	MARK, EMBLEM (GCV160 5.5)	-	-	1	1	-	-	-----	-----	A7E1, N7A1, N7S1

NOTE A:PART NO. CHANGE D:NEWLY PROVIDED E:PART NO. DELETION K:REQUIRED NO. CORRECTION L:APPLICATION SERIAL NO. CORRECTION
T:APPLICATION CORRECTION Z:REMARKS CHANGE

PARTS CATALOGUE NEWS

BOOKNo. : 13ZMOOE7

Block No.	Ref. No.	Note	Part No.	Description	Reqd. QTY						Serial No.	Parts catalogue code
					GCV 135	GCV 135 E	GCV 160	GCV 160 A	GCV 135 A	GCV 160 E		
					-	-	-	-	-	1	----- 2189259	A7E1, N7A1
	8	T	87101-ZOM-780	MARK, EMBLEM (GCV135)	1	-	-	-	-	-	-----	A7E1, N7E1, N7E2
		D	87101-ZOM-781	-	1	-	-	-	-	----- 2500796	A7E1, N7E1, N7E2
		A	87101-ZOM-782	-	1	-	-	-	-	2500797 2691920	A7E1, N7E1, N7E2
	16	E	87102-ZOM-V60	*PARTS NO. DELETION								
		D	87102-ZOM-V61	MARK, EMBLEM (GCV135)	-	1	-	-	-	-	----- 2674958	A2G4
		T	87102-ZOM-V62	-	1	-	-	-	-	-----	A4G4, S4E4, S4G4
					-	1	-	-	-	-	2674959	A2G4
	17	E	87102-Z1L-V50	*PARTS NO. DELETION								
		D	87102-Z1L-V51	MARK, EMBLEM (GCV160)	-	-	-	-	-	1	----- 2178057	A2G4
		T	87102-Z1L-V52	-	-	-	-	-	1	-----	A4G4, S4E4, S4G4
					-	-	-	-	-	1	2178058	A2G4
	22	T	87101-ZMO-801	MARK, EMBLEM (GCV160)	-	-	-	-	-	1	-----	A3G9, A3T9, A4G7, A4G9, S2E2, S2E3, S3E9, S3G9 S4E9, S4G9
					-	-	-	-	-	1	2176870	A1E7, A1E8, A1G7, A1G9, A2E7, A2E8, A2E9, A2G7 A2G9, A3E7, A3E9, A3W8, N1E1, N1E2, N1E7, N1T8 N1T9, N1W7, N2E7, N2E8, N2E9, N3T8, N3T9, S1E1, S2E S2E1
	23	T	87101-ZM1-800	MARK, EMBLEM (GCV135 4.5)	-	1	-	-	-	-	-----	N2KE
					-	1	-	-	-	-	----- 2672608	A1E, A1E7, A1E8, A1G9, A2E, A2E7, A2E8, A2E9, A2G7 A2G9, N1E, N1W, N1W7, N2E, N2E1, N2E3, N2E7, N2E8 N2E9, N2KA, S2E, S2E1
	25	T	87101-ZM1-801	MARK, EMBLEM (GCV135)	-	1	-	-	-	-	-----	A3G9, A4G7, A4G9, S2E2, S2E3, S3E9, S3G9, S4E9, S4G9
					-	1	-	-	-	-	2672609	A1E, A1E7, A1E8, A1G9, A2E, A2E7, A2E8, A2E9, A2G7 A2G9, N1E, N1W, N1W7, N2E, N2E1, N2E3, N2E7, N2E8 N2E9, N2KA, S2E, S2E1
	26	D	87101-ZOL-802	MARK, EMBLEM (GCV160)	-	-	-	-	-	1	2189260	A7E1, N7A1
	27	D	87101-ZOM-783	MARK, EMBLEM (GCV135)	-	1	-	-	-	-	2691921	A7E1, N7E1, N7E2

NOTE A:PART NO. CHANGE D:NEWLY PROVIDED E:PART NO.DELETION K:REQUIRED NO. CORRECTION L:APPLICATION SERIAL NO. CORRECTION
T:APPLICATION CORRECTION Z:REMARKS CHANGE