

PARTS MANUAL

Model

EH17-2

ENGINE

PUB-EP5712
Rev. 7/99

Robin America, Inc.

940 Lively Blvd. • Wood Dale, IL 60191 • Phone: 630-350-8200 • Fax: 630-350-8212
e-mail: sales@robinamerica.com • www.robinamerica.com

© Copyright 1999 Robin America, Inc.

HOW TO USE THIS MANUAL

Robin engines are identified by MODEL, SPECIFICATION, and CODE NUMBER. For each model there may be many different versions called specifications. Each specification will be unique in some way. The difference may only be the paint color or it may have a different type of PTO or some other significant difference.

In order to identify the correct service part number, it is important to confirm the specification and code numbers for your engine. The specification and code number together are known as the PRODUCT NUMBER.

All Robin 4 cycle engines have a Product Number label similar to the label illustrated below.

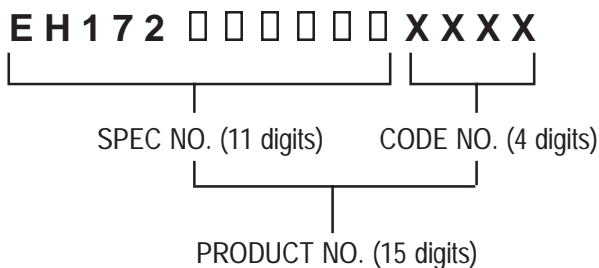
PRODUCT NUMBER LABEL



PRODUCT NUMBER LABEL LOCATIONS



The Product Number Label has a 15 digit alphanumeric string that consists of the SPECIFICATION (SPEC) number (11 digits) and the CODE number (4 digits). Please note the illustration below:



MANUAL LAYOUT

① — SECTION 6 **FUEL GROUP** **④**

② — FIG. 600

DETAIL A

① — SECTION 6 **FUEL GROUP** **⑥** **⑦** **⑨** **②**

REF.	PART NO.	DESCRIPTION	QTY	REMARKS	FROM-TO	FIG.
10	267-60103-01	FUEL TANK CP	1	YD, YS TYPE, BLACK	2101-	600
	267-60101-01	FUEL TANK CP	1	YELLOW	-2100	600
27	073-20039-00	LABEL, WARNING	1	YD, YS TYPE		600
30	043-04300-15	FUEL TANK CAP CP	1			600
31	267-95201-03	LABEL, EMISSION	1	YD, YS TYPE		600
40	064-13600-10	FUEL FILTER	1			600
50	064-20021-01	FUEL STRAINER AY	1			600
-1	064-20002-20	FILTER	1			600
-2	064-20002-30	GASKET	1			600
-3	064-20019-10	CUP	1			600
-4	064-20003-20	NUT	1			600

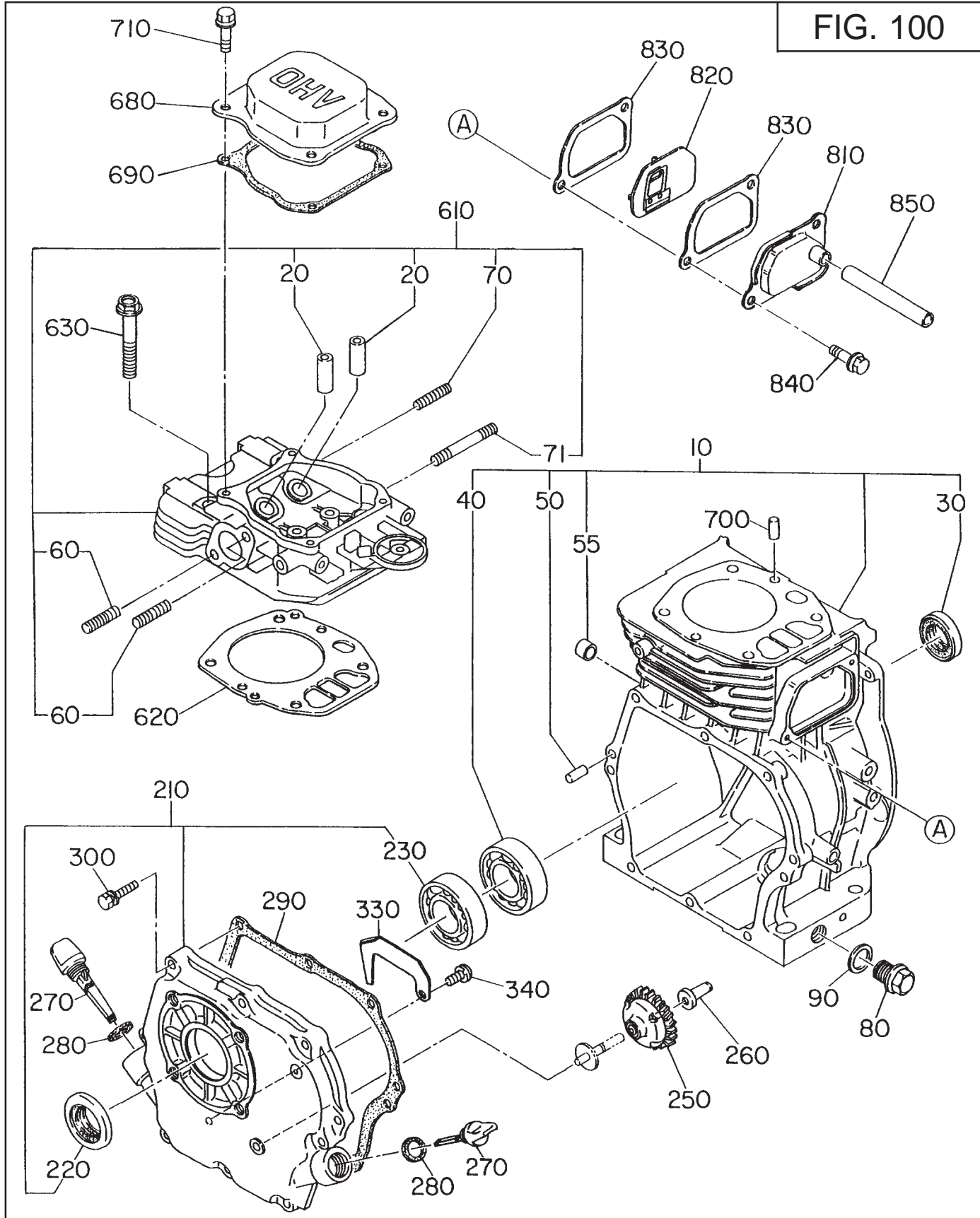
1. SECTION NAME Parts are broadly classified according to their functions. Refer to the Group Index (table of contents) for respective section name.
2. FIG. No. The FIG. number indexes the reference and part numbers to the illustration. Figure numbers that vary only in the tens place (i.e.: 700 and 710) are in a group of the same section (i.e.: Electrical Device Group).
3. REF. No. The Reference number identifies the part illustration with the corresponding part number in the part list.
4. SUBASSEMBLY SUBASSEMBLY parts of part assembly are listed below the assembly part. The subassembly part reference number is indicated by the number led by "-" such as "-1", "-2".
5. PART NUMBER It is the number assigned for sales unit. Use the PART No. when making an order.
6. DESCRIPTION It is designation of the part.
7. QTY. Quantity of each part used for each product.
8. REMARKS This gives a distinctive feature and/or a supplementary comment for the type, the specification, and the part concerned. It also shows part number(s) interchangeable for the part.
9. FROM-TO This section shows the CODE No. to indicate the history of progress in which improved parts have been introduced in the product. The FROM-TO CODE No. helps to identify PART No. being employed in the product concerned. See the examples below:
 - The part is used in the product irrespective of CODE No.
 - 2101- The part is used in the products with CODE No. of 2101 and after this number.
 - 2100 The part is used in the products with CODE No. of 2100 and before this number.

GROUP INDEX

Group Name	Page
CRANKCASE GROUP	6
CRANKSHAFT GROUP	8
INTAKE and EXHAUST GROUP	10
GOVERNOR GROUP	12
COOLING and STARTING GROUP	14
FUEL GROUP	16
CARBURETOR	18
ELECTRIC DEVICE GROUP - RECOIL START	20
ELECTRIC DEVICE GROUP - ELECTRIC START	22
ELECTRIC DEVICE GROUP - ELECTRIC STARTER	24
ELECTRIC DEVICE GROUP - OIL SENSOR	26

INDEX OF DESCRIPTION SYMBOLS			
SYMBOL	DESCRIPTION	SYMBOL	DESCRIPTION
AY	ASSEMBLY	P=	PITCH (in mm)
CP	COMPLETE	P.T.O. (PTO)	POWER TAKE OFF
EX	EXPORT (from Japan)	REF.	REFERENCE
FIG.	FIGURE	R.H. (RH)	RIGHT HAND SIDE
FR.	FRONT	RR.	REAR
"	INCH	STD.	STANDARD
INCL.	INCLUDE	SW	SWITCH
~L	LITER	T=	THICKNESS (in mm)
L=	LENGTH (in. mm)	UN	UNIT
L.H. (LH)	LEFT-HAND SIDE	U.S.	UNDER SIZE
MECH	MECHANICAL	~V	VOLTAGE
NO (NON)	NONE	~W	WATT
OPT.	OPTIONAL	W/	WITH
O.S.	OVER SIZE	W/O	WITHOUT

SECTION 1 CRANKCASE GROUP

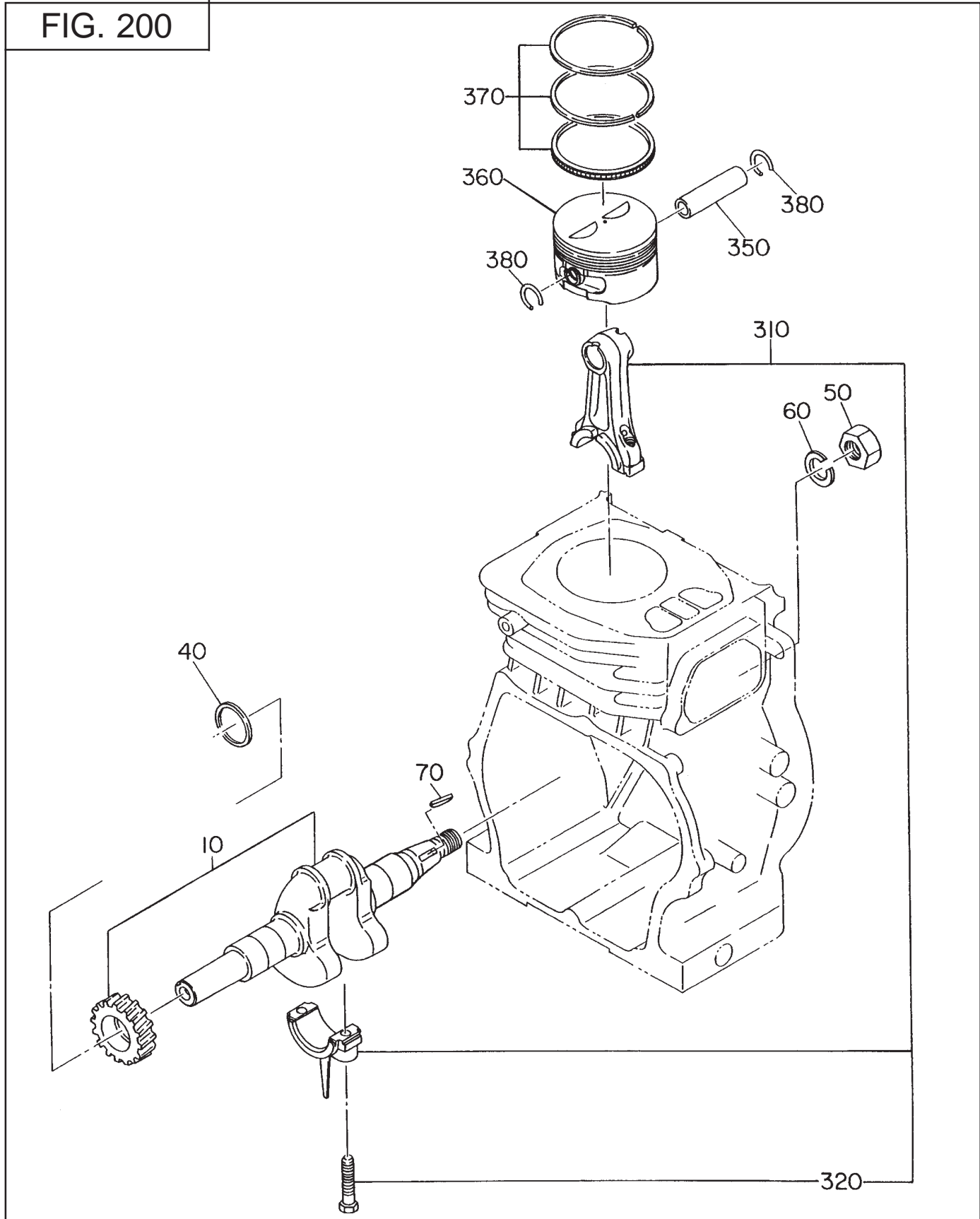


SECTION 1 CRANKCASE GROUP

REF.	PART NO.	DESCRIPTION	QTY.	REMARKS	FROM-TO	FIG.
10	269-10101-01	CRANKCASE CP	1	recoil start type		100
	269-10102-01	CRANKCASE CP	1	electric start type		100
20	237-14202-03	VALVE GUIDE	2	oversize		100
30	044-02500-70	OIL SEAL	1	25 x 38 x 7 044-02500-10		100
40	060-02500-10	BALL BEARING	1	BB-6205C3		100
50	031-00600-20	DOWEL PIN	2			100
55	142-55601-03	PIPE	2	electric start type		100
60	010-50802-90	STUD	2			100
70	010-50601-31	STUD	1			100
71	001-39066-00	STUD	1			100
80	040-11400-30	PLUG	2			100
90	021-11400-20	GASKET	2			100
210	253-11014-01	MAIN BEARING COVER CP	1	SAE		100
	253-11013-01	MAIN BEARING COVER CP	1	Metric		100
220	044-02501-60	OIL SEAL	1	25 x 41.24 x 7		100
230	060-02500-10	BALL BEARING	1	BB-6205C3		100
250	227-45003-01	GOVERNOR GEAR CP	1			100
260	205-41901-03	GOVERNOR SLEEVE	1			100
270	269-63601-03	OIL GAUGE	2			100
	269-63601-03	OIL GAUGE	1	w/OIL SENSOR		100
280	021-31600-20	GASKET	2			100
	021-31600-20	GASKET	1	w/OIL SENSOR		100
290	253-16002-03	GASKET, BEARING COVER	1			100
300	013-00600-40	BOLT AND WASHER AY	8			100
330	253-17502-03	SHELTER PLATE	1	w/OIL SENSOR		100
340	004-35051-00	SCREW AND WASHER AY	1	w/OIL SENSOR		100
610	269-13001-01	CYLINDER HEAD CP	1			100
620	253-15001-23	GASKET, HEAD	1			100
630	011-00801-00	FLANGE BOLT	4			100
680	269-15503-03	ROCKER COVER	1			100
690	269-16004-03	GASKET, ROCKER COVER	1			100
700	031-00600-20	DOWEL PIN	2			100
710	011-00600-20	FLANGE BOLT	4			100
810	253-14301-11	BREATHER COVER CP	1			100
820	253-14401-11	BREATHER PLATE CP	1			100
830	253-16006-33	GASKET, BREATHER COVER	2			100
840	011-00600-30	FLANGE BOLT	2			100
850	085-10800-00	RUBBER PIPE	1	8 x 11 x 75		100
960	253-99001-07	GASKET SET	1			100

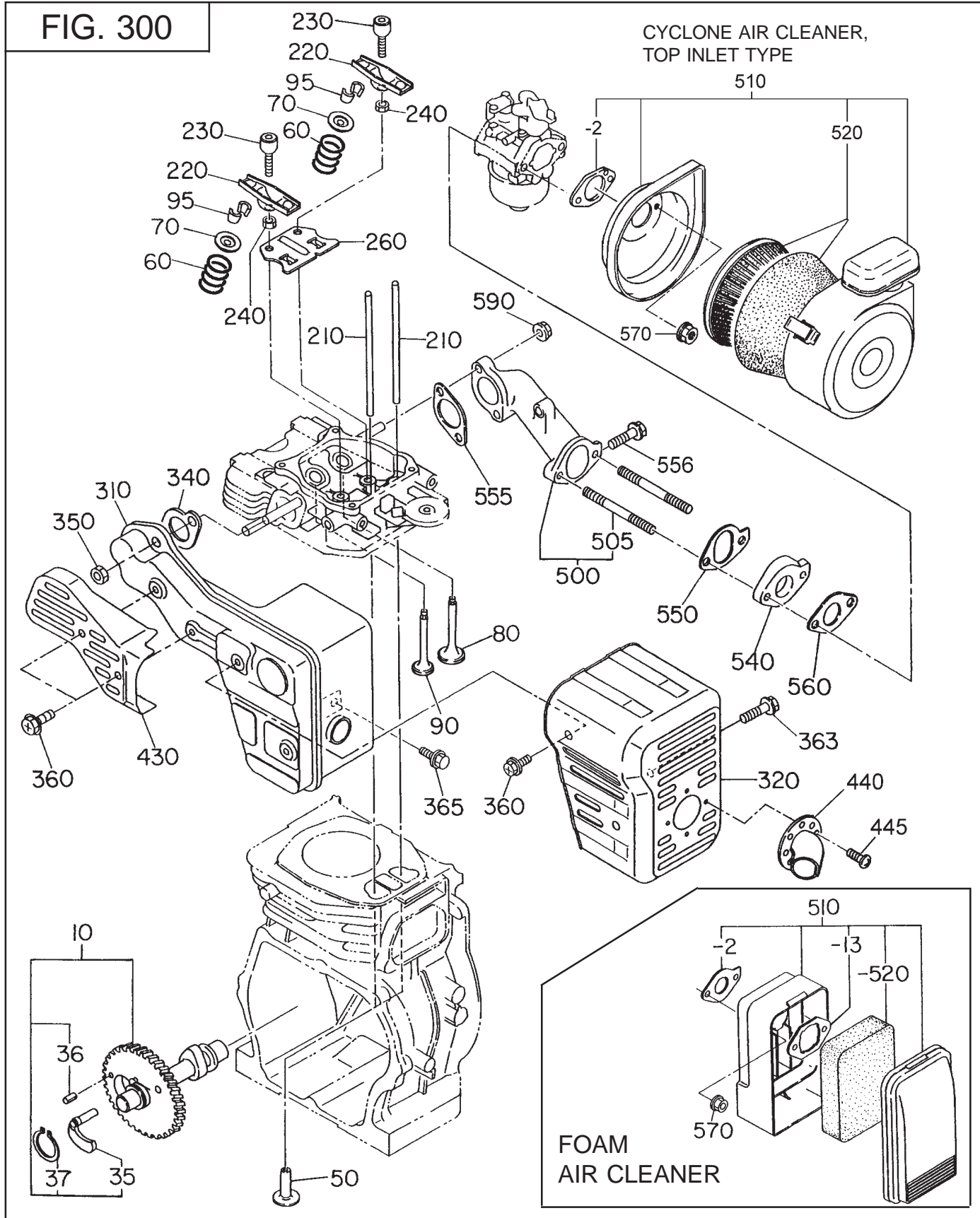
SECTION 2 CRANKSHAFT GROUP

FIG. 200



SECTION 3 INTAKE and EXHAUST GROUP

FIG. 300



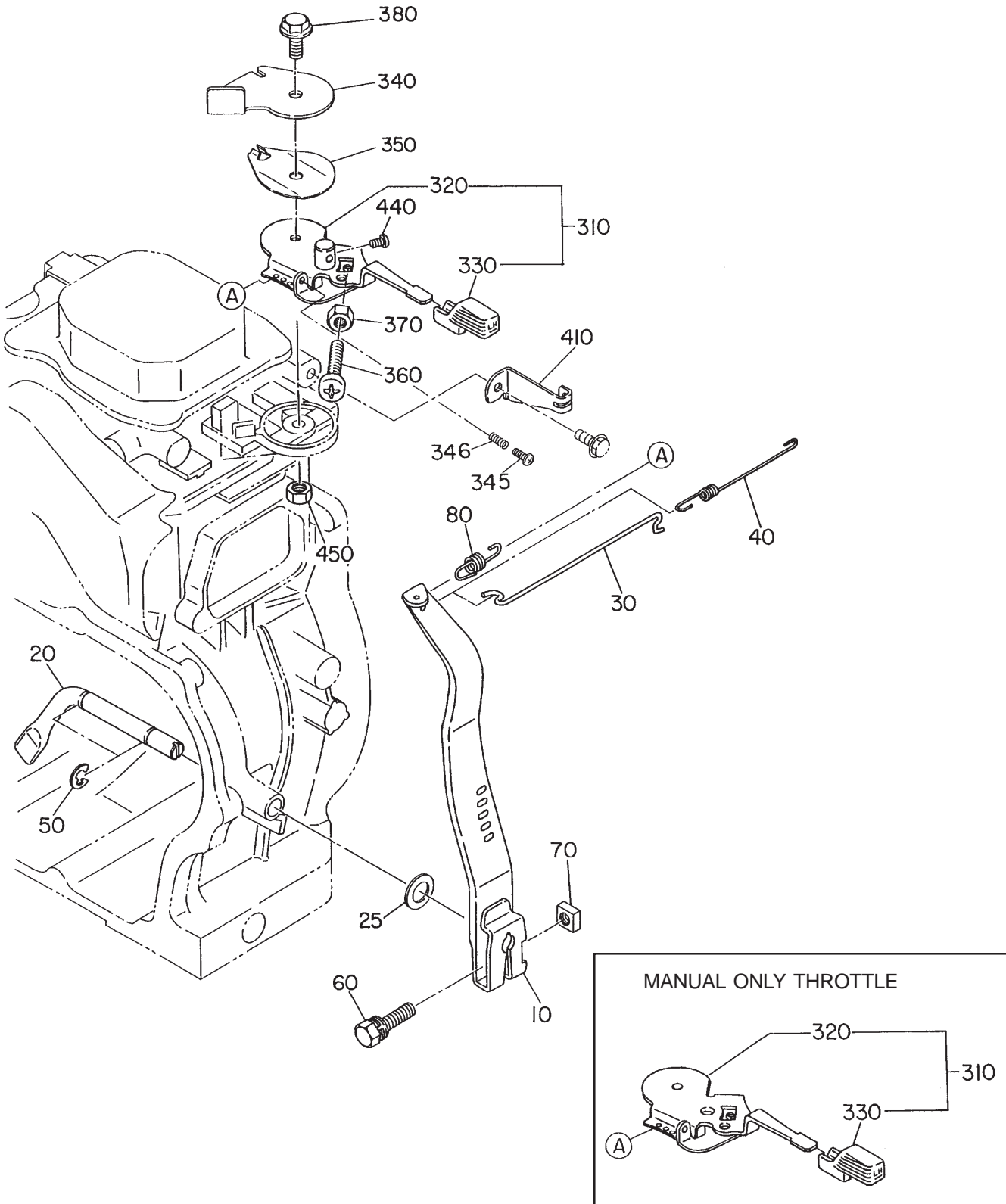
SECTION 3 INTAKE and EXHAUST GROUP

REF.	PART NO.	DESCRIPTION	QTY.	REMARKS	FROM-TO	FIG.
10	253-31701-11	CAMSHAFT CP	1			300
35	227-36461-13	RELEASE LEVER	1			300
36	005-19041-00	SPRING PIN	1			300
37	003-15220-00	SNAP RING	1			300
50	239-33301-13	TAPPET	2			300
60	253-33601-03	VALVE SPRING	2			300
70	132-09KA0-40	SPRING RETAINER	2			300
80	269-33401-03	INTAKE VALVE	1			300
90	269-33501-03	EXHAUST VALVE	1			300
95	132-10KA0-31	COLLET VALVE	4			300
210	269-35301-03	PUSH ROD	2			300
220	261-36001-A3	ROCKER ARM	2			300
230	269-35801-03	BOLT, PIVOT	2			300
240	017-00600-90	NUT	2			300
260	269-36501-03	GUIDE PLATE	1			300
310	269-30101-01	MUFFLER CP	1			300
320	253-34201-11	MUFFLER COVER	1			300
340	253-35201-03	GASKET, MUFFLER	1			300
350	017-00800-30	NUT	2			300
360	015-20600-90	TAPPING BOLT	4			300
363	015-20601-00	TAPPING BOLT	1			300
365	011-00600-20	FLANGE BOLT	1			300
430	269-34801-03	EXHAUST PIPE COVER	1			300
440	236-37001-01	DEFLECTOR, EXHAUST	1			300
445	015-00400-10	TAPPING SCREW	2			300
505	010-50602-30	STUD	2			300
510	253-32613-10	AIR CLEANER AY	1	CYCLONE, top inlet type		300
-2	236-32630-08	PACKING	1	CYCLONE, top inlet type		300
510	269-32601-00	AIR CLEANER AY	1	FOAM AIR CLEANER type		300
-2	227-36004-13	PACKING	1	FOAM AIR CLEANER type		300
-13	269-32651-08	PLATE	1	FOAM AIR CLEANER type		300
-520	269-32610-08	AIR CLEANER ELEMENT	1	FOAM AIR CLEANER type		300
520	227-32610-07	ELEMENT SET	1	CYCLONE, top inlet type		310
540	253-32901-03	INSULATOR	1			300
550	253-35901-03	GASKET 3, INSULATOR	1			300
555	227-35901-03	GASKET, INSULATOR	1			300
556	011-00601-30	FLANGE BOLT	1			300
560	236-35903-03	GASKET 2, INSULATOR	1			300
570	226-39212-00	NUT AND WASHER AY	2	CYCLONE, top inlet type		300
570	002-38060-00	FLANGE NUT	2	FOAM AIR CLEANER type		300
590	002-38060-00	FLANGE NUT	2			300

SECTION 4 GOVERNOR GROUP

FIG. 400

MANUAL THROTTLE CONTROL with REMOTE CABLE OPTION

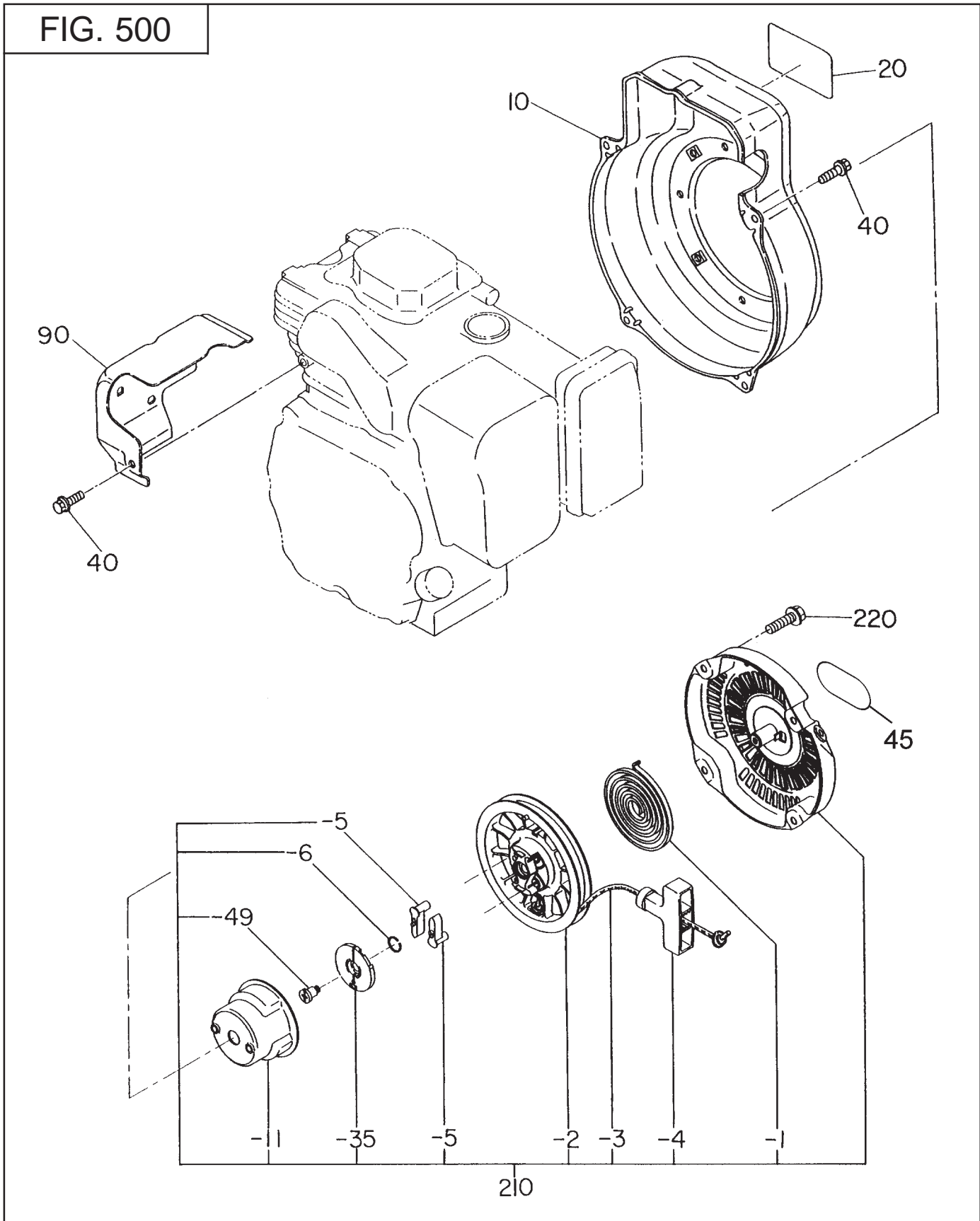


SECTION 4 GOVERNOR GROUP

REF.	PART NO.	DESCRIPTION	QTY.	REMARKS	FROM-TO	FIG.
10	253-42301-23	GOVERNOR LEVER	1			400
20	227-42201-03	GOVERNOR SHAFT	1			400
25	003-11080-00	WASHER	1			400
30	253-42701-01	GOVERNOR ROD CP	1			400
40	253-42801-03	ROD SPRING	1			400
50	003-13060-00	CLIP	2			400
60	001-14063-00	BOLT AND WASHER AY	1			400
70	018-60600-20	NUT	1			400
80	253-42501-23	GOVERNOR SPRING	1			400
310	269-43302-00	SPEED CONTROL AY	1	manual w/remote cable option		400
310	269-43301-00	SPEED CONTROL AY	1	manual control only		400
320	269-43302-01	SPEED CONTROL CP	1	manual w/remote cable option		400
320	269-43301-01	SPEED CONTROL CP	1	manual control only		400
330	227-43601-03	KNOB	1			400
340	269-43501-03	STOP PLATE	1			400
345	004-31043-00	SCREW, PANHEAD	1			400
346	269-45503-03	IDLE SET SPRING	1			400
350	227-45002-03	SPRING WASHER	1			400
360	004-31063-00	SCREW	1			400
370	002-27060-00	NUT	1			400
380	011-00600-50	FLANGE BOLT	1	manual w/remote cable option		400
380	011-00600-30	FLANGE BOLT	1	manual control only		400
410	253-44200-13	WIRE BRACKET	1	manual w/remote cable option		400
440	004-31040-80	SCREW	1	manual w/remote cable option		400
450	002-27060-00	NUT	1	manual w/remote cable option		400

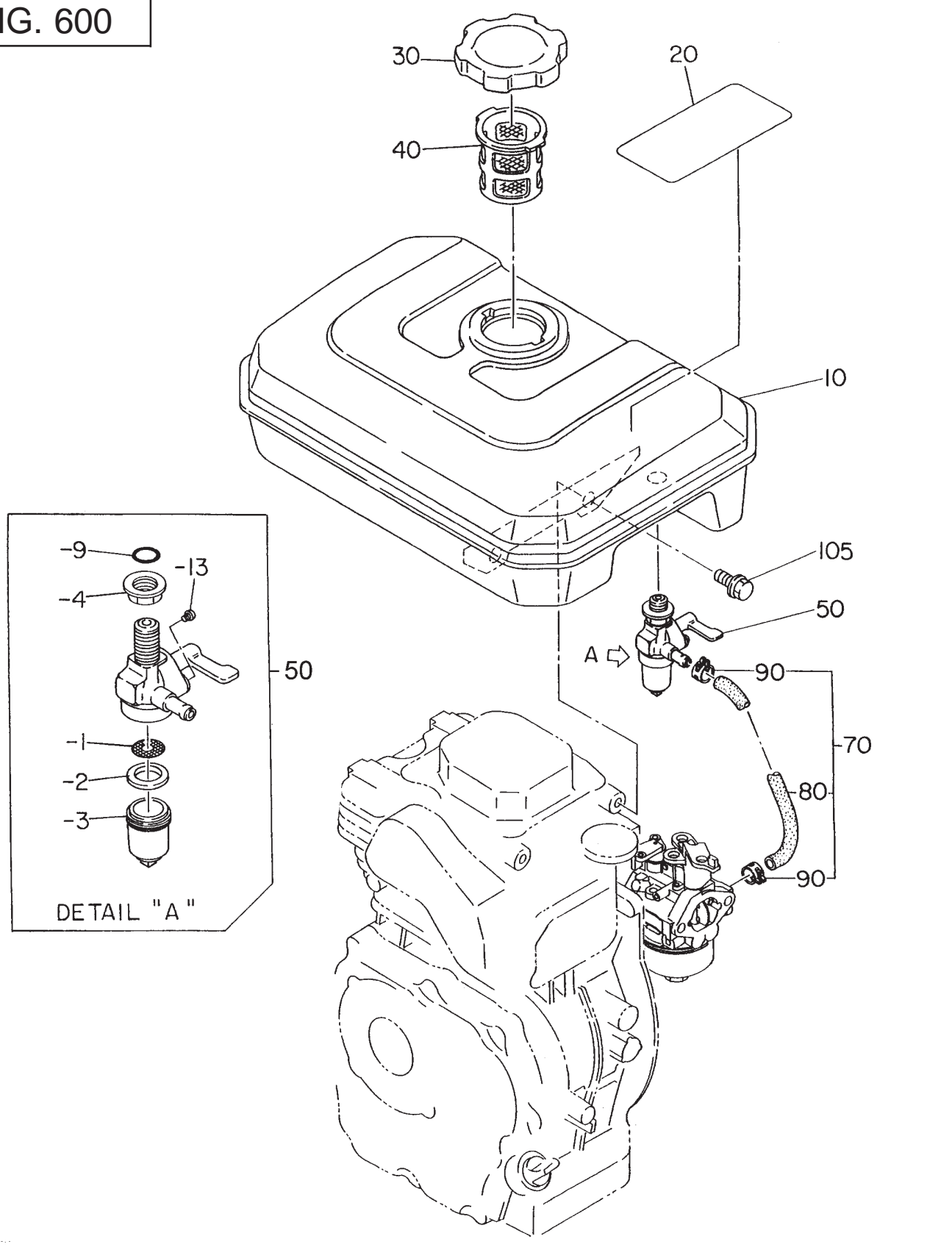
SECTION 5 COOLING and STARTING GROUP

FIG. 500



SECTION 6 FUEL GROUP

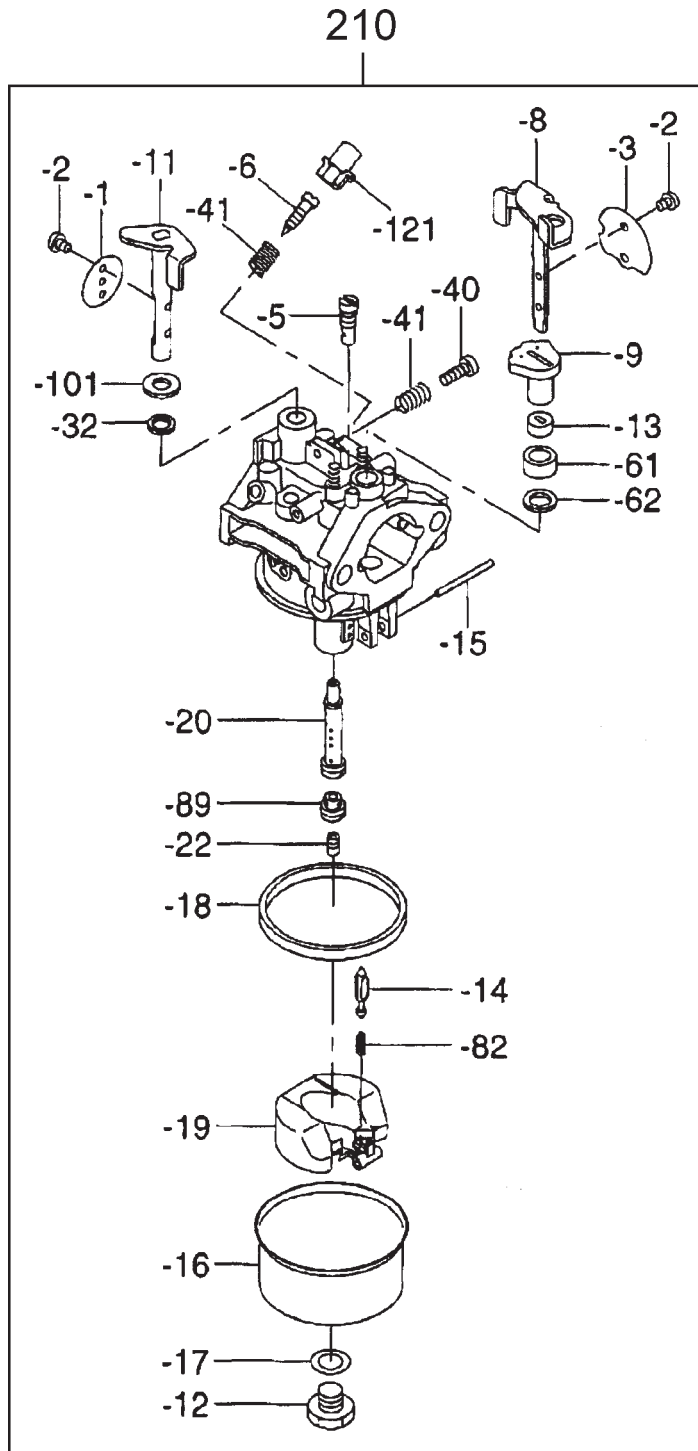
FIG. 600



SECTION 6 FUEL GROUP

REF.	PART NO.	DESCRIPTION	QTY.	REMARKS	FROM-TO	FIG.
10	253-60108-01	FUEL TANK CP	1	BLACK		600
20	073-20039-00	LABEL, CAUTION	1			600
30	043-04300-15	FUEL TANK CAP CP	1			600
40	064-13600-10	FUEL FILTER	1			600
50	064-20084-00	FUEL STRAINER AY	1			600
-1	064-20042-20	FILTER	1			600
-2	064-20064-10	PACKING	1			600
-3	064-20078-10	CUP	1			600
-4	064-20084-10	NUT	1			600
-9	064-20084-20	O-RING	1			600
-13	064-20047-90	SCREW, PANHEAD	2			600
70	269-62601-01	FUEL PIPE CP	1			600
80	269-68001-03	RUBBER PIPE	1			600
90	056-11100-20	HOSE CLAMP	2			600
105	011-00600-30	FLANGE BOLT	4			600

FIG. 610

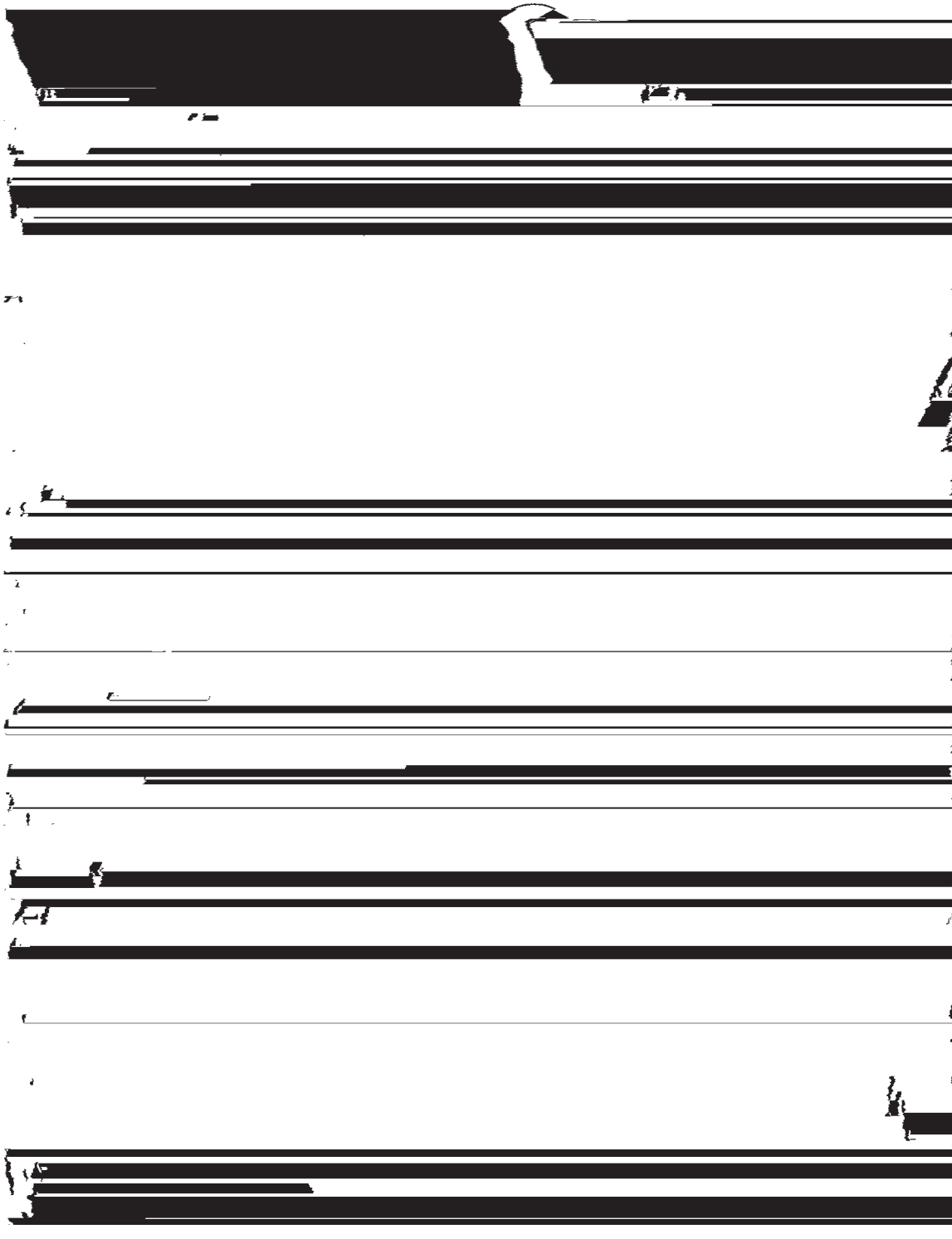


SECTION 6 FUEL GROUP

REF.	PART NO.	DESCRIPTION	QTY.	REMARKS	FROM-TO	FIG.
210	253-62456-10	CARBURETOR AY	1	CYCLONE, top inlet type		610
210	253-62450-10	CARBURETOR AY	1	FOAM AIR CLEANER type		610
-1	220-62536-08	THROTTLE VALVE	1			610
-2	237-62451-08	SCREW	4			610
-3	236-62528-08	CHOKE VALVE	1			610
-5	253-62420-08	PILOT JET	1			610
-6	246-62436-08	ADJUSTER	1			610
-8	236-62520-08	CHOKE LEVER	1			610
-9	239-62560-08	RING	1	CYCLONE, top inlet type		610
	234-62550-08	RING	1	FOAM AIR CLEANER type		610
-11	236-62600-08	THROTTLE SHAFT	1	CYCLONE, top inlet type		610
	236-62530-08	THROTTLE SHAFT	1	FOAM AIR CLEANER type		610
-12	236-62451-08	BOLT	1			610
-13	226-62550-08	RING	1			610
-14	161-62352-08	NEEDLE	1			610
-15	236-62510-08	PIN	1			610
-16	236-62551-08	FLOAT CHAMBER BODY AY	1			610
-17	236-62450-08	PACKING	1			610
-18	236-62540-08	PACKING, CHAMBER	1			610
-19	236-62505-08	FLOAT	1			610
-20	238-62440-08	MAIN NOZZLE	1			610
-22	253-62402-08	MAIN JET	1			610
-32	106-62392-08	SEAL	1	CYCLONE, top inlet type		610
-40	246-62435-08	ADJUST SCREW	1			610
-41	209-62445-08	SPRING	2			610
-61	247-62550-08	CAP, CHOKE	1	CYCLONE, top inlet type		610
-62	236-62680-08	SEAL	1	CYCLONE, top inlet type		610
-82	236-62445-08	SPRING	1			610
-89	235-62425-08	GUIDE HOLDER	1			610
-101	236-62631-08	RING	1	CYCLONE, top inlet type		610
-121	246-62551-08	CAP	1			610

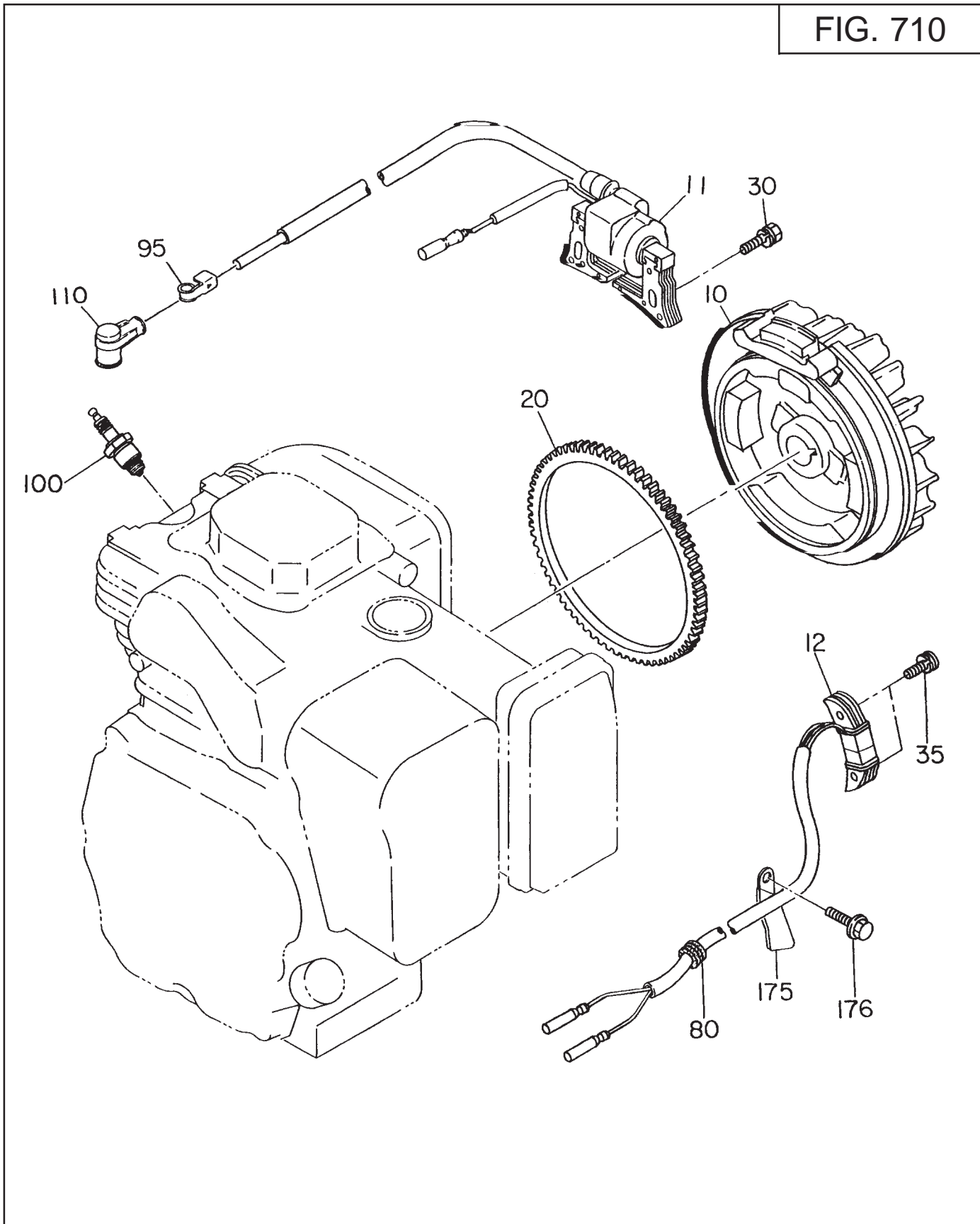
SECTION 7A ELECTRIC DEVICE GROUP - RECOIL START

FIG. 700



SECTION 7B ELECTRIC DEVICE GROUP - ELECTRIC START

FIG. 710



SECTION 7C ELECTRIC DEVICE GROUP - ELECTRIC STARTER

FIG. 720

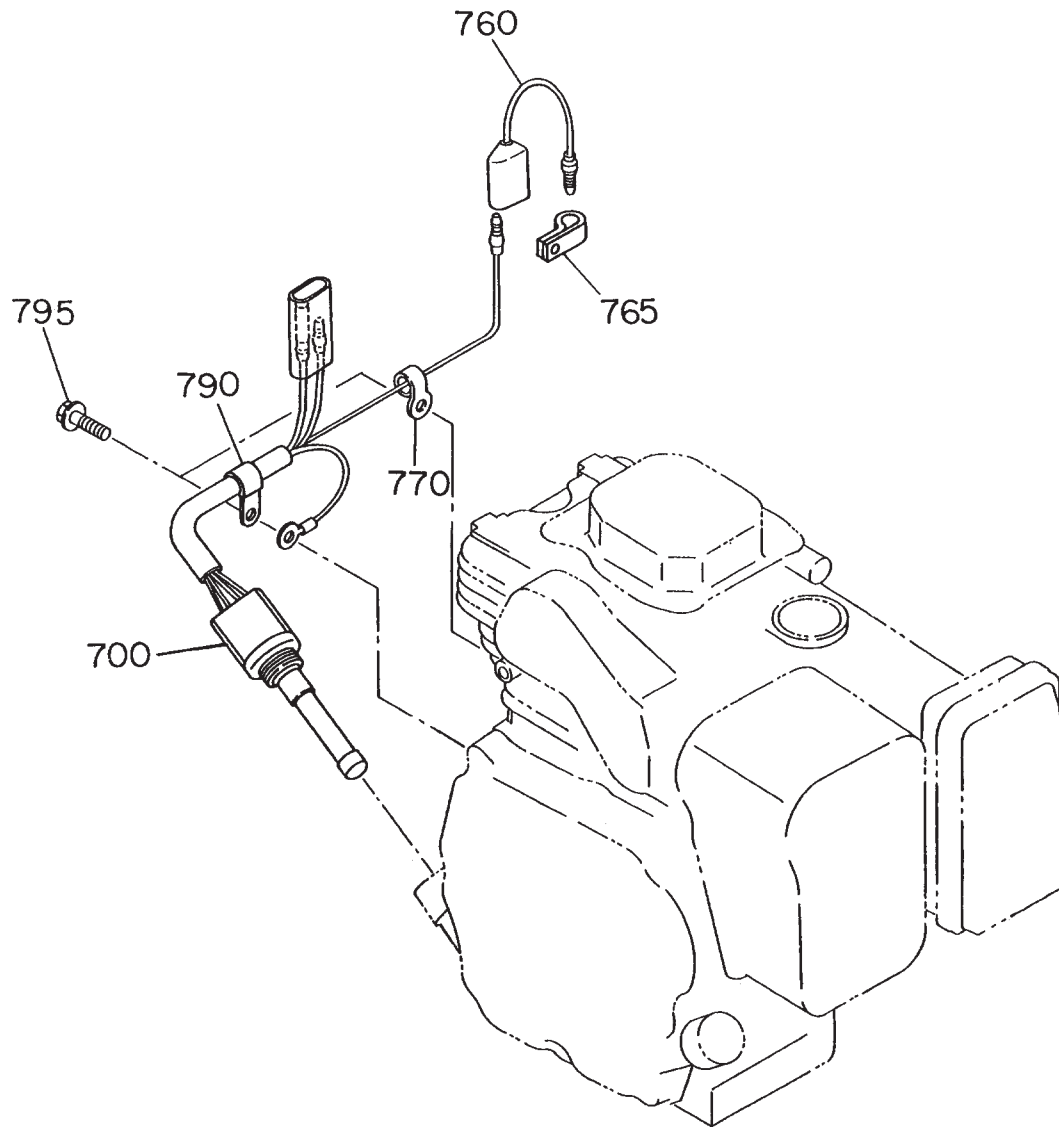


SECTION 7C ELECTRIC DEVICE GROUP - ELECTRIC STARTER

REF.	PART NO.	DESCRIPTION	QTY.	REMARKS	FROM-TO	FIG.
120	227-70512-10	STARTING MOTOR				720
-1	227-70551-08	YOKE AY	1			720
-3	227-70546-08	SPRING	4			720
-6	227-70556-08	ARMATURE AY	1			720
-7	227-70521-08	CLUTCH, SUB AY	1			720
-9	227-70502-08	HOUSING AY	1			720
-10	227-70540-08	BRUSH, SUB AY	2			720
-11	227-70505-08	FRAME AY	1			720
-16	227-70562-08	SNAP RING	1			720
-17	227-70570-08	BOLT, THROUGH	2			720
-20	227-70573-08	WASHER, PLATE	1			720
-33	227-70560-08	SPRING	1			720
-34	227-70561-08	NUT, PINION STOP	1			720
-43	227-70574-08	COLLAR, ARMATURE	1			720
-44	227-70572-08	O-RING	2			720
-46	227-70571-08	O-RING	2			720
-49	227-70576-18	WIRE SUB AY	1			720
-57	227-70575-08	SCREW AND WASHER AY	2			720
-73	227-70577-08	BOLT AND WASHER AY	1			720
130	001-14083-50	BOLT AND WASHER AY	2			720
190	073-20044-80	LABEL, BATTERY	1			720
200	253-75112-01	CONTROL BOX CP	1			720
210	073-20044-60	LABEL, STARTER SWITCH	1			720
212	002-17050-00	NUT	2			720
214	003-20050-00	SPRING WASHER	2			720
216	002-27060-00	NUT	1			720
218	003-20060-00	SPRING WASHER	1			720
220	066-00003-30	SWITCH	1			720
-1	066-00099-80	KEY, SWITCH	2			720
230	232-71401-01	DIODE RECTIFIER CP	1			720
240	004-35061-00	SCREW AND WASHER AY	1			720
250	224-73102-01	WIRE 3 CP	1			720
260	254-73102-01	WIRE 2 CP	1			720
296	002-27060-00	NUT	1			720
298	003-20060-00	SPRING WASHER	1			720
300	066-10000-10	MAGNETIC SWITCH	1			720
330	232-73105-01	WIRE 5 CP	1			720
335	227-73106-01	WIRE 6 CP	1			720

SECTION 7D ELECTRIC DEVICE GROUP - OIL SENSOR

FIG. 760



PRINTED IN THE USA