

PARTS MANUAL

Model

**EX35
ENGINES**

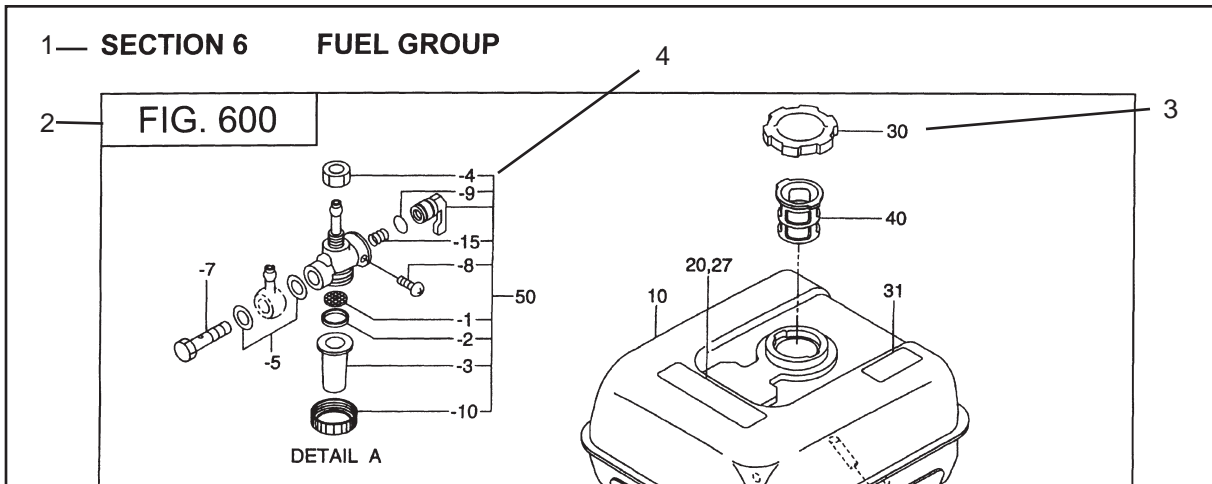
PUB-EP
Rev. 08/09

Robin America, Inc.

905 Telser Road, Lake Zurich, IL 60047 • Phone: 847-540-7300 • Fax:847-438-5012
e-mail: sales@robinamerica.com • www.subarupower.com

© Copyright 2009 Robin America, Inc.

MANUAL LAYOUT



REF.	PART NO.	DESCRIPTION	QTY.	REMARKS	FROM-TO	FIG.
10	267-60103-01	FUEL TANK CP	1	YD, YS TYPE, BLACK		600
27	267-60101-01	FUEL TANK CP	1	YELLOW		600
27	073-20039-00	LABEL, WARNING	1	YD, YS TYPE		600
30	043-04300-15	FUEL TANK CAP CP	1			600
31	267-95201-03	LABEL, EMISSION	1	YD, YS TYPE		600
40	064-13600-10	FUEL FILTER	1			600
50	064-20021-01	FUEL STRAINER AY	1			600
-1	064-20002-20	FILTER	1			600
-2	064-20002-30	GASKET	1			600
-3	064-20019-10	CUP	1			600

1. SECTION NAME Parts are broadly classified according to their functions. Refer to the Group Index (table of contents) for respective section name.
2. FIG. No. The FIG. number indexes the reference and part numbers to the illustration. Figure numbers that vary only in the tens place (i.e.: 700 and 710) are in a group of the same section (i.e.:Electrical Device Group).
3. REF. No. The Reference number identifies the part illustration with the corresponding part number in the part list.
4. SUBASSEMBLY SUBASSEMBLY parts of part assembly are listed below the assembly part. The subassembly part reference number is indicated by the number led by "-" such as "-1", "-2".
5. PART NUMBER It is the number assigned for sales unit. Use the PART No. when making an order.
6. DESCRIPTION It is designation of the part.
7. QTY. Quantity of each part used for each product.
8. REMARKS This gives a distinctive feature and/or a supplementary comment for the type, the specification, and the part concerned. It also shows part number(s) interchangeable for the part.
9. FROM-TO This section shows the CODE No. to indicate the history of progress in which improved parts have been introduced in the product. The FROM-TO CODE No. helps to identify PART No. being employed in the product concerned. See the examples below:
 - The part is used in the product irrespective of CODE No.
 - 2101- The part is used in the products with CODE No. of 2101 and after this number.
 - 2100 The part is used in the products with CODE No. of 2100 and before this number.

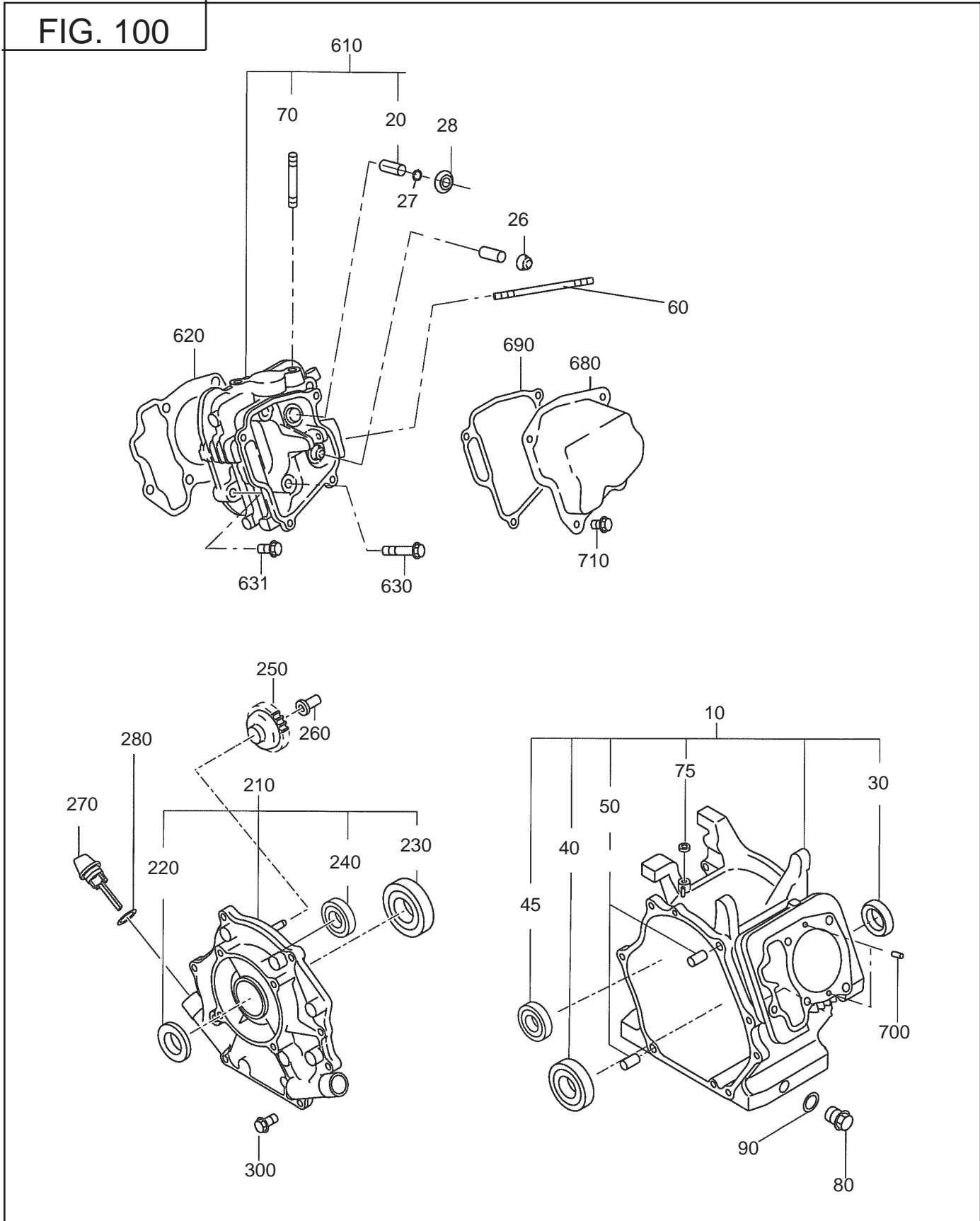
GROUP INDEX

Group Name	Page
CRANKCASE GROUP	6
CRANKSHAFT GROUP	8
INTAKE and EXHAUST GROUP	10
GOVERNOR GROUP	14
COOLING and STARTING GROUP	16
FUEL, LUBRICANT GROUP	18
CARBURETOR GROUP	20
ELECTRIC DEVICE GROUP	22
ACCESSORY GROUP	24

INDEX OF DESCRIPTION SYMBOLS			
SYMBOL	DESCRIPTION	SYMBOL	DESCRIPTION
AY	ASSEMBLY	P=	PITCH (in mm)
CP	COMPLETE	P.T.O. (PTO)	POWER TAKE OFF
EX	EXPORT (from Japan)	REF	REFERENCE
FIG	FIGURE	R.H. (RH)	RIGHT HAND SIDE
FR	FRONT	RR	REAR
"	INCH	STD.	STANDARD
INCL.	INCLUDE	SW	SWITCH
~L	LITER	T=	THICKNESS (in mm)
L=	LENGTH (in. mm)	UN	UNIT
L.H. (LH)	LEFT-HAND SIDE	U.S.	UNDER SIZE
MECH	MECHANICAL	~V	VOLTAGE
NO (NON)	NONE	~W	WATT
OPT	OPTIONAL	W/	WITH
O.S.	OVER SIZE	W/O	WITHOUT

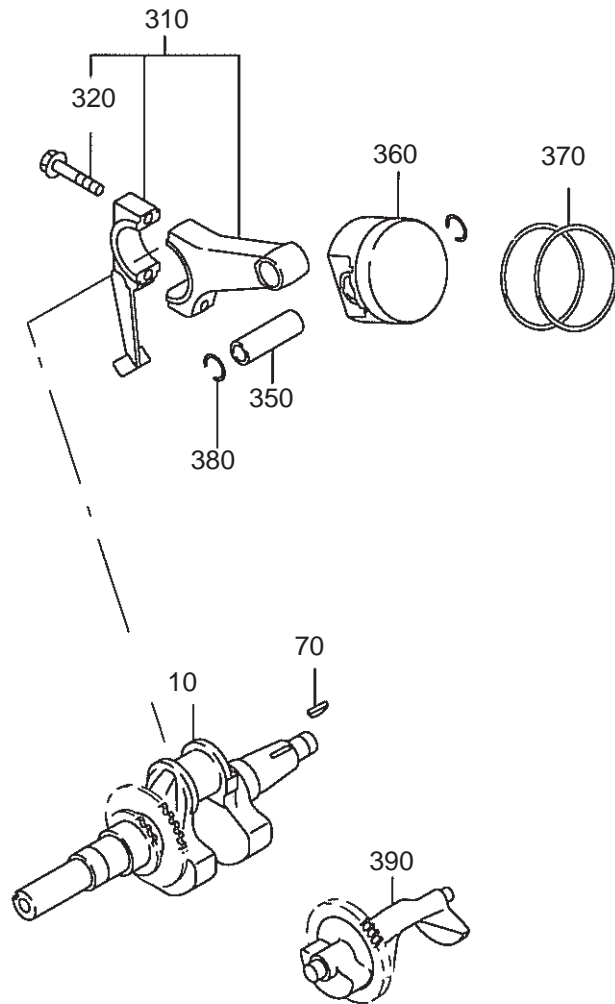
SECTION 1 CRANKCASE GROUP

FIG. 100



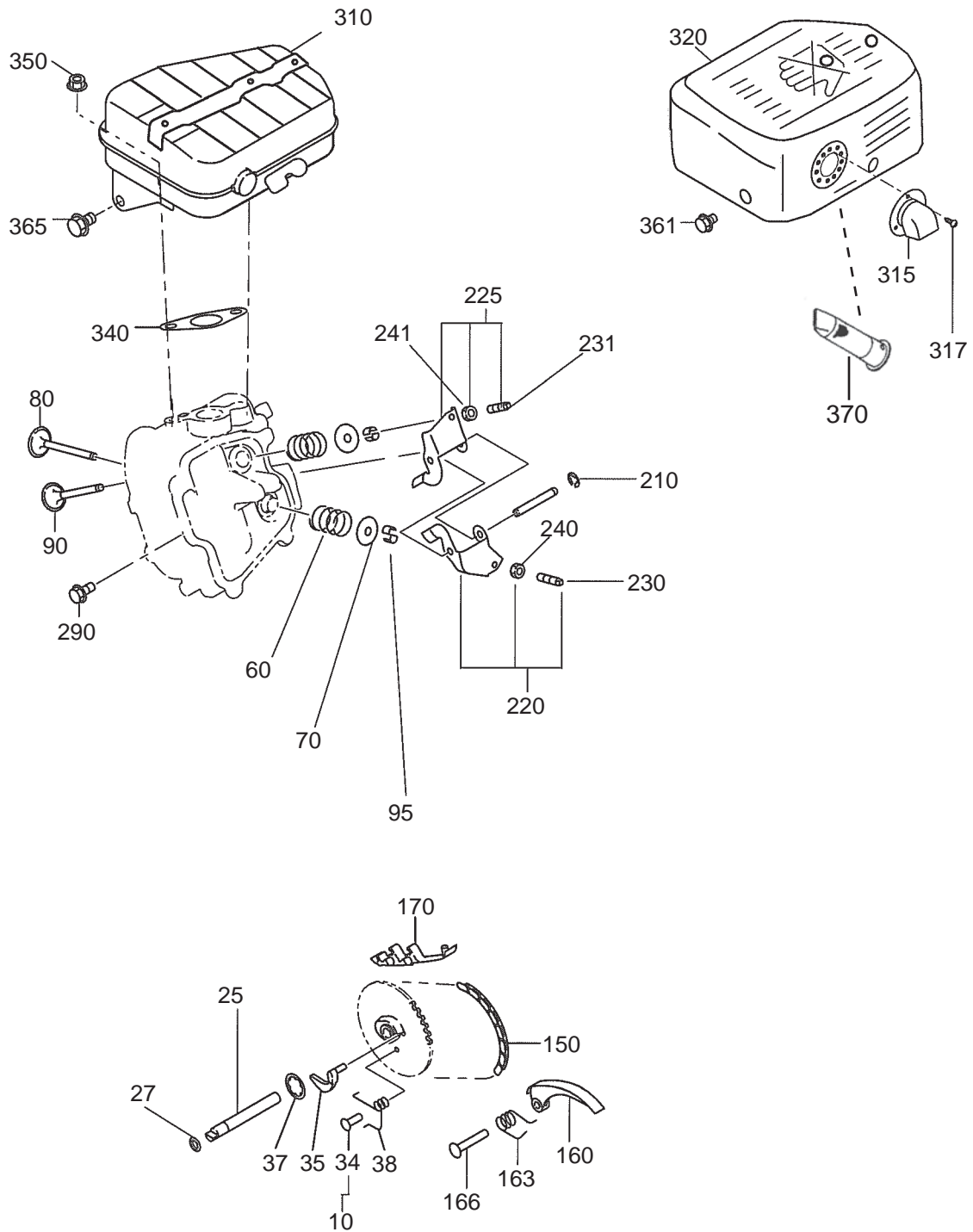
SECTION 2 CRANKSHAFT GROUP

FIG. 200



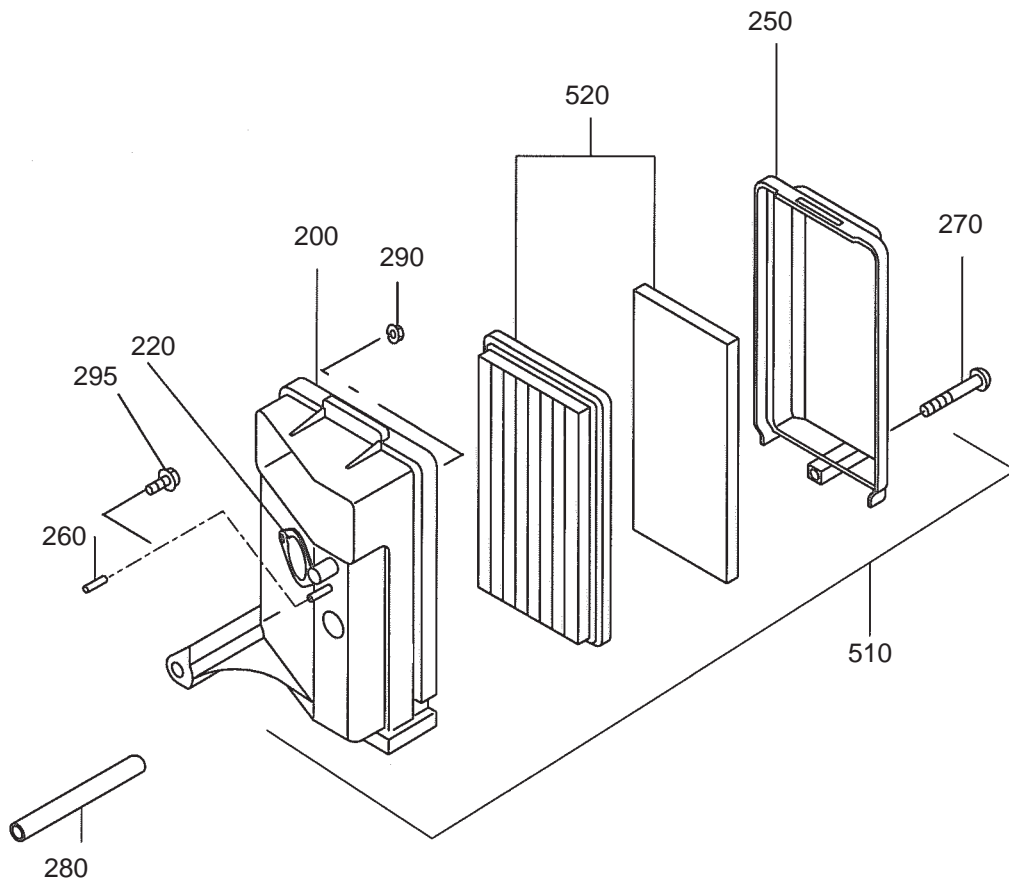
SECTION 3 INTAKE and EXHAUST GROUP

FIG. 300



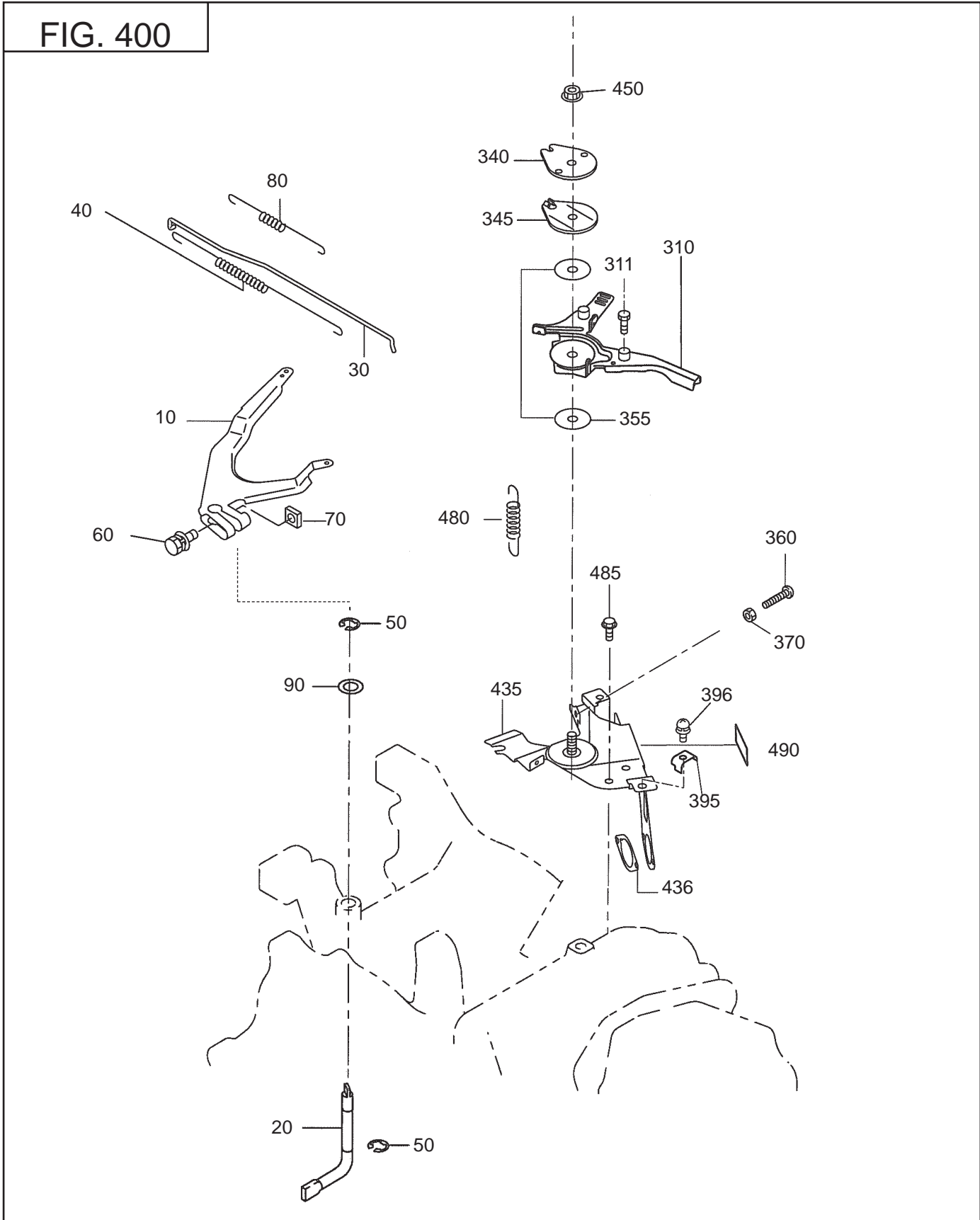
SECTION 3 INTAKE and EXHAUST GROUP

FIG. 310



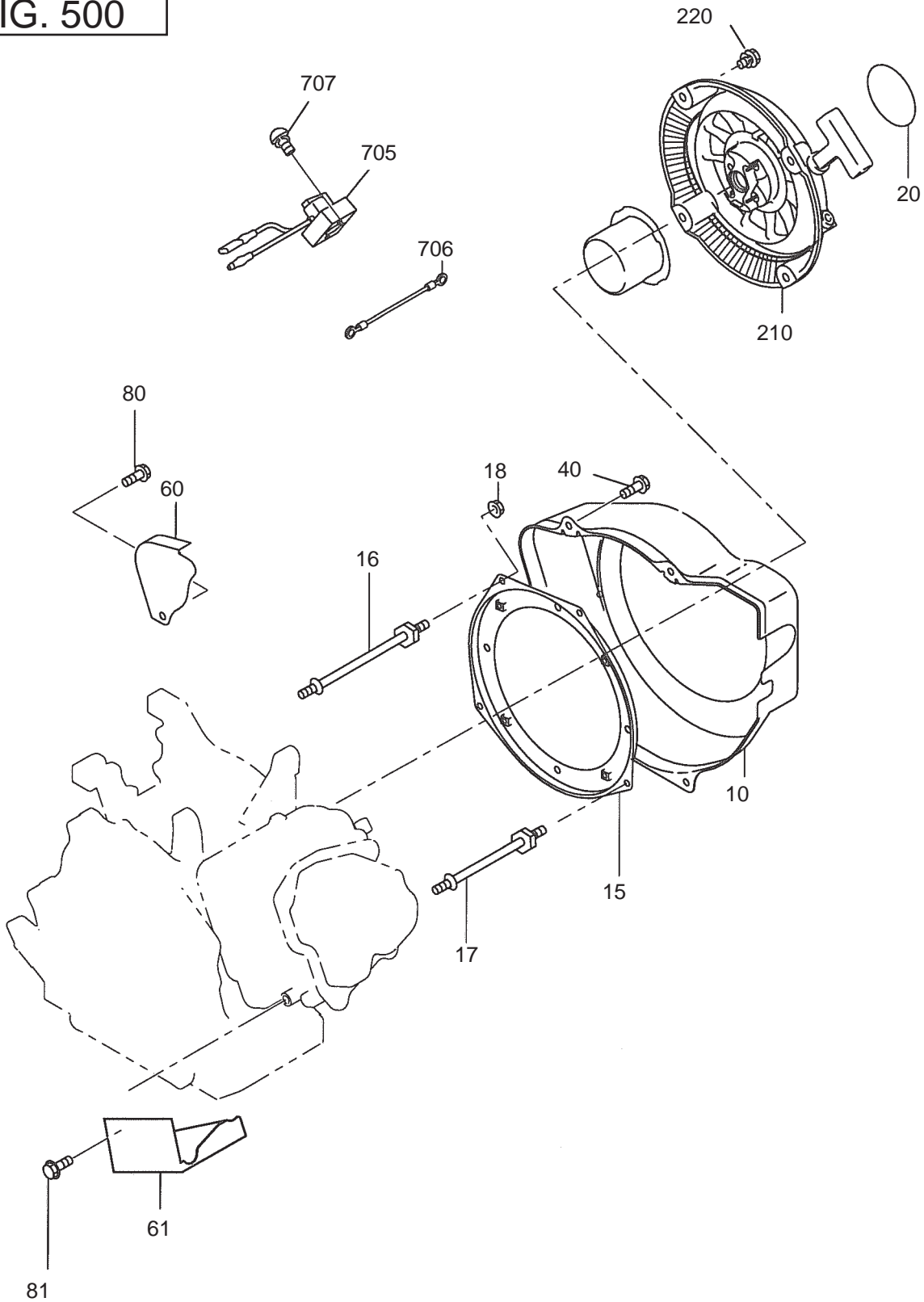
SECTION 4 GOVERNOR GROUP

FIG. 400



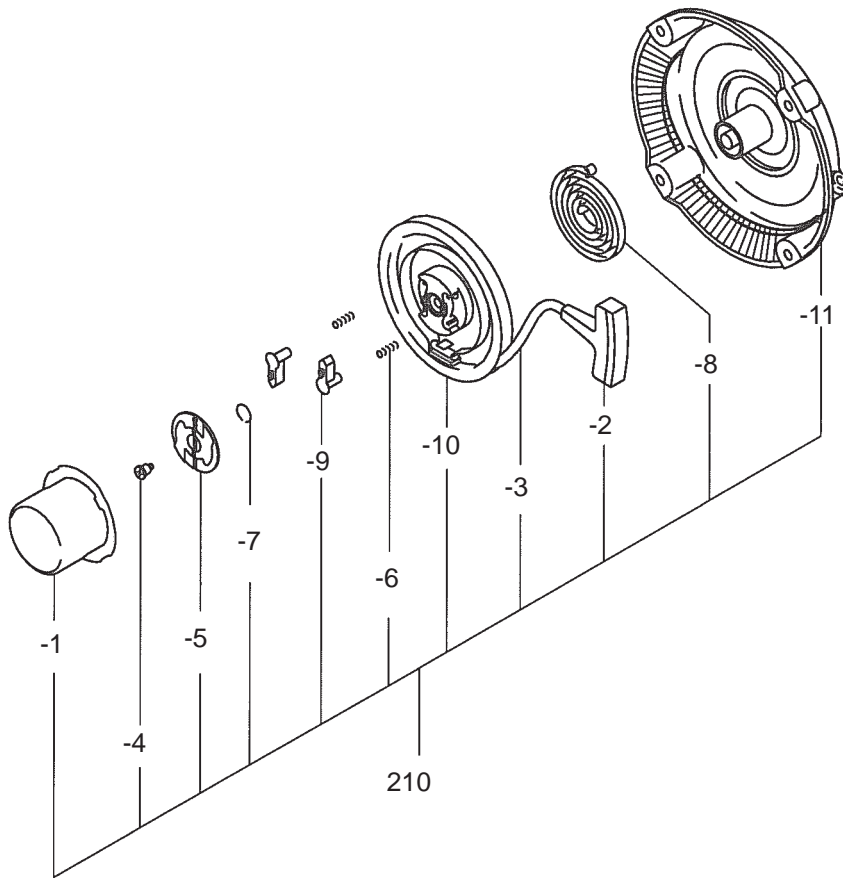
SECTION 5 COOLING and STARTING GROUP

FIG. 500



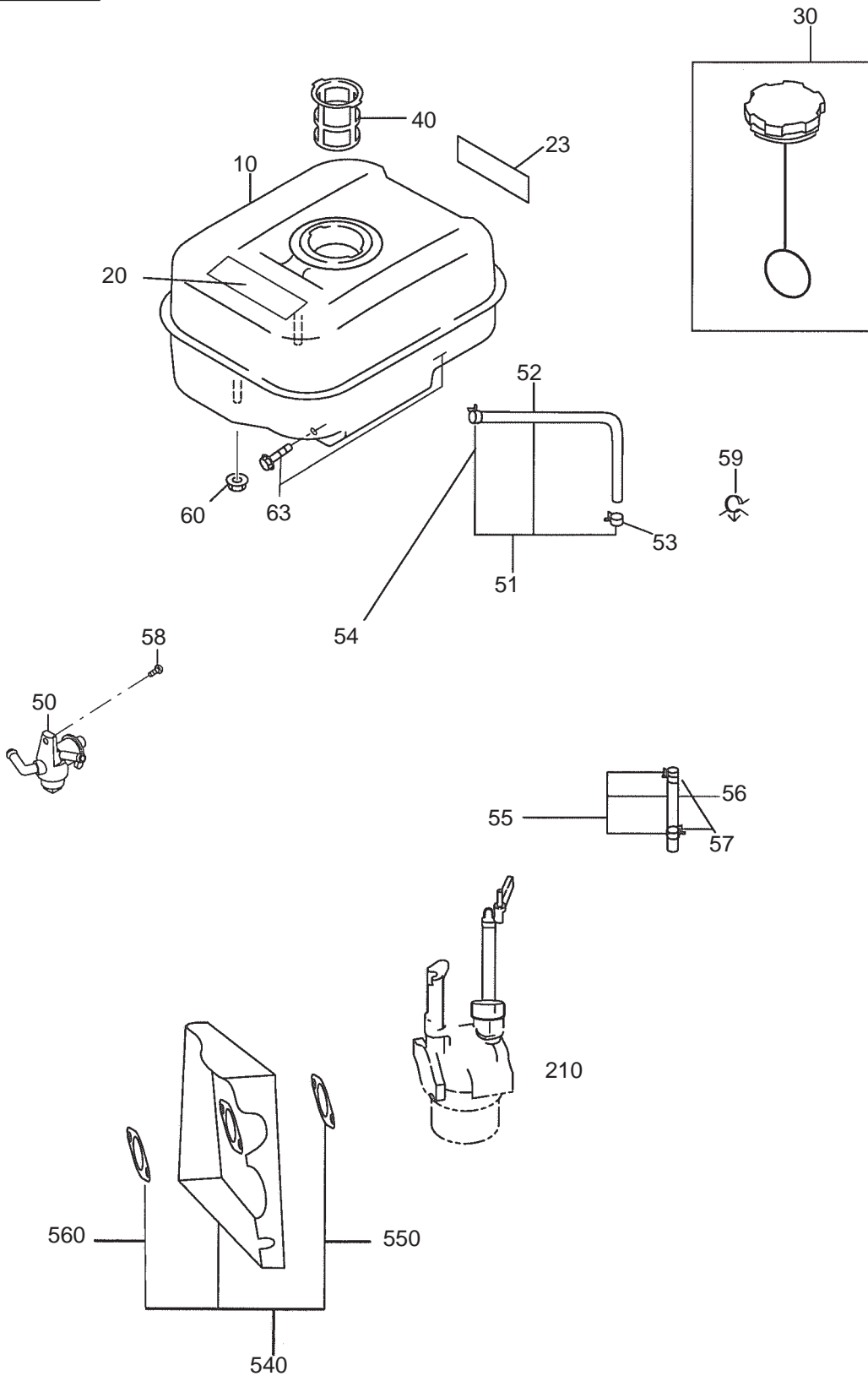
SECTION 5 COOLING and STARTING GROUP

FIG. 520



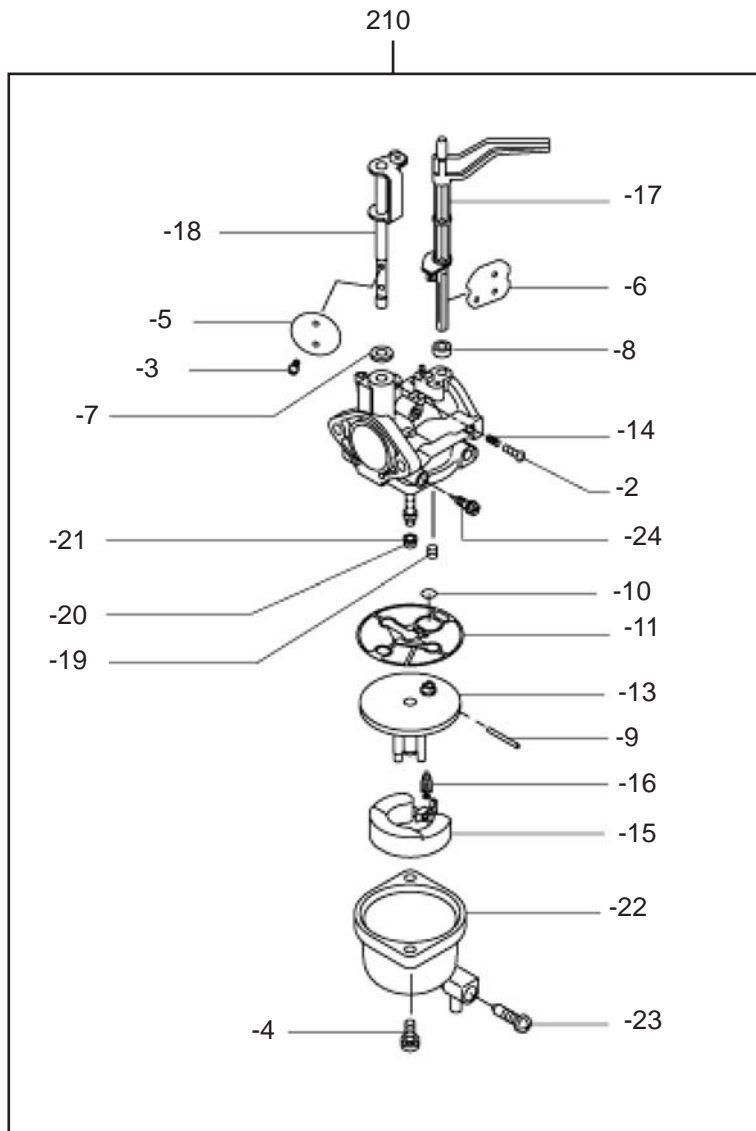
SECTION 6 FUEL, LUBRICATION GROUP

FIG. 600



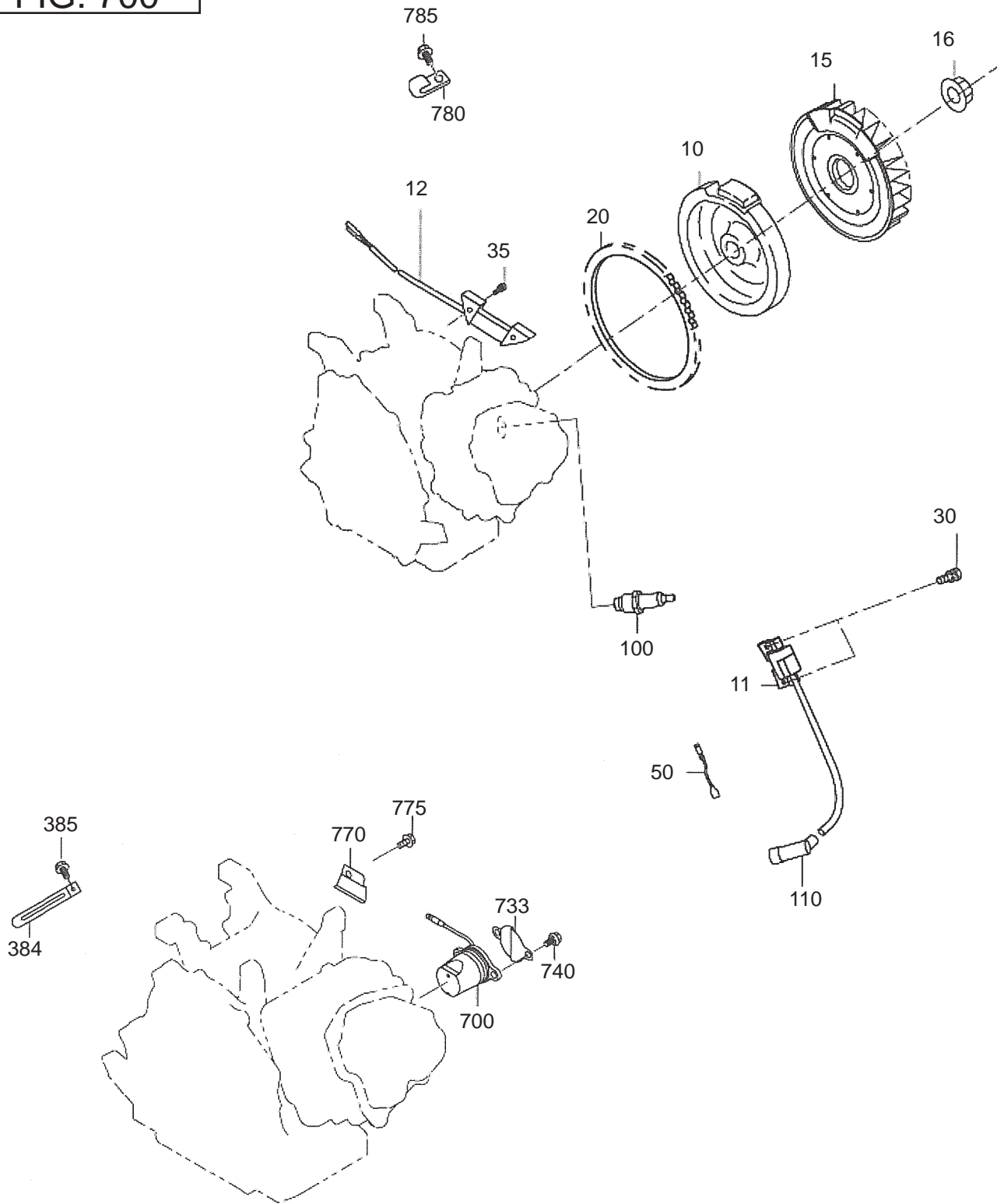
SECTION 6 FUEL, LUBRICATION GROUP

FIG. 610



SECTION 7 ELECTRIC DEVICE GROUP

FIG. 700



SECTION 7 ELECTRIC DEVICE GROUP - ELECTRIC STARTER

FIG. 710

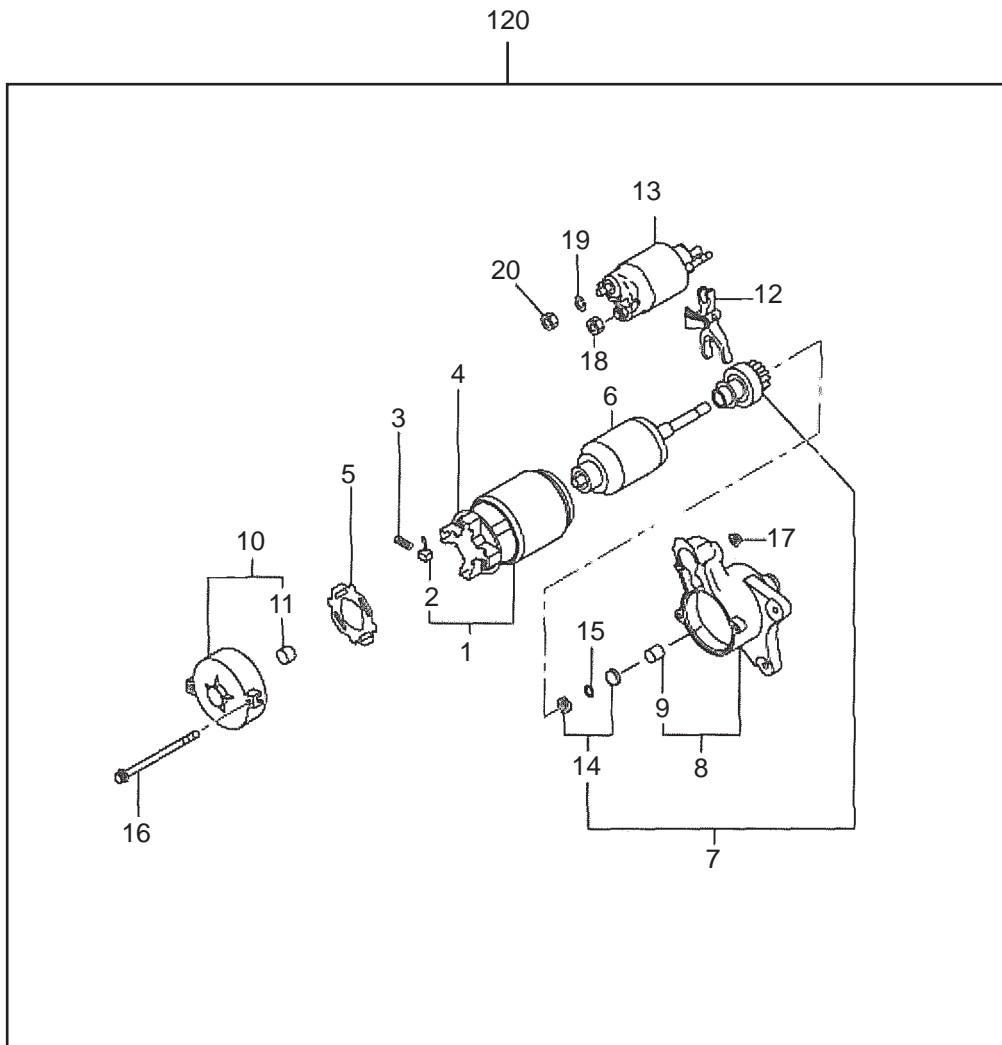


FIG. 720

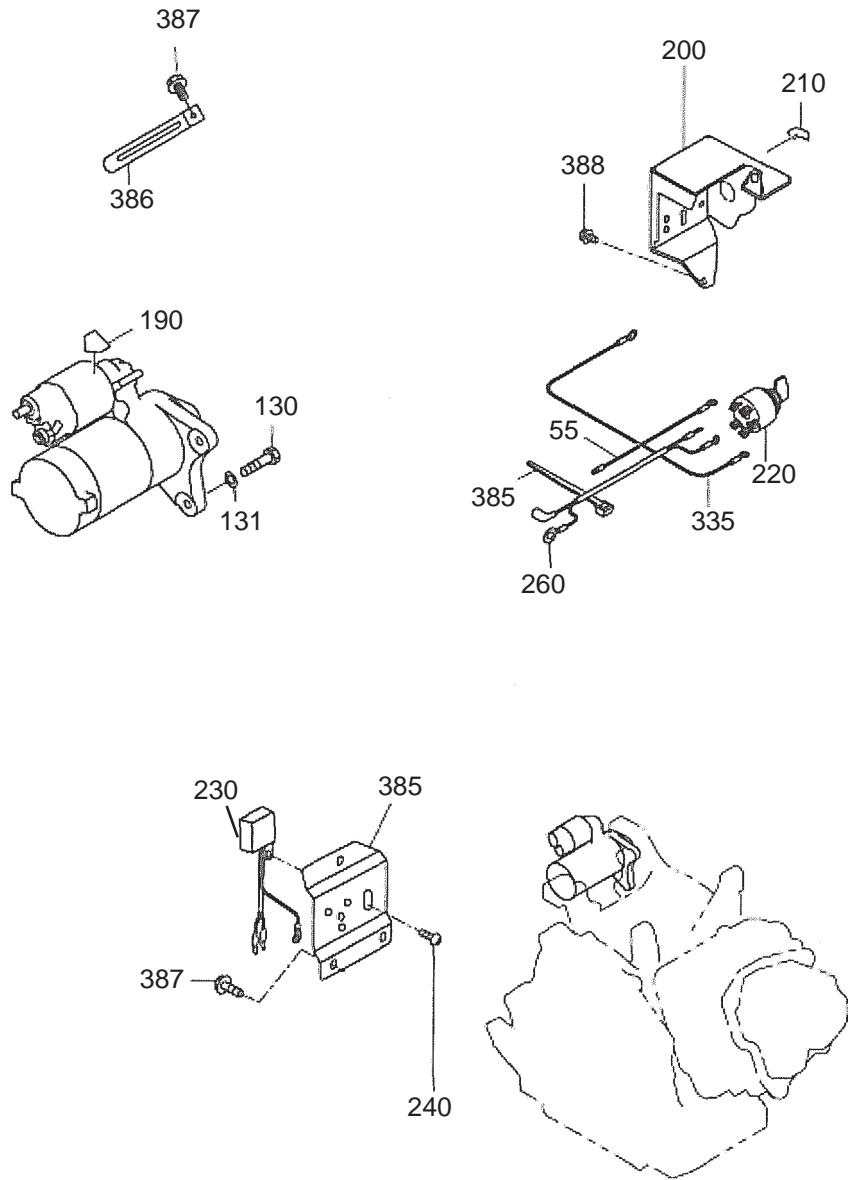
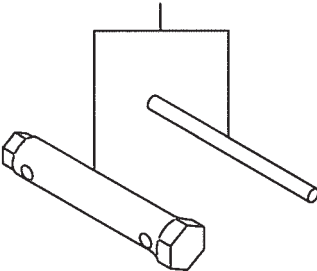


FIG. 900



PRINTED IN THE USA