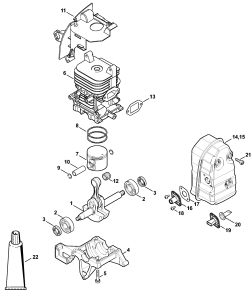


STIHL SR 430

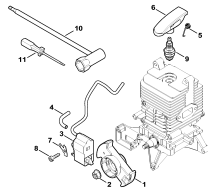
Spare Parts List

Table of contents

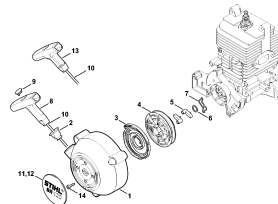
SR 430, SR 450	4
Crankshaft, Cylinder, Muffler	6
Ignition system	8
Rewind starter	10
Spacer flange, Air filter	12
Carburetor C1Q-S209, C1Q-S210, C1Q-S165, C1Q-S166	15
Fuel tank, AV system	18
Fan housing, Shroud	20
Backplate, Container	22
Pleated hose, Blower tube	24
Control handle	26
Control handle not for Europe	28
Dusting and granulate spreading attachment SR 450	30
Pressure pump	32
Serial number	34



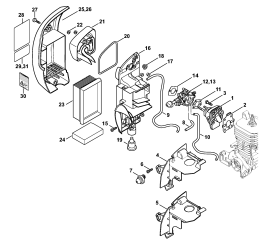
Crankshaft, Cylinder, Muffler



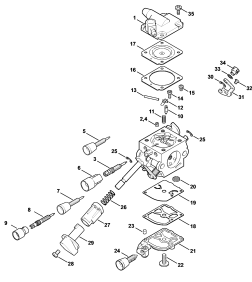
Ignition system



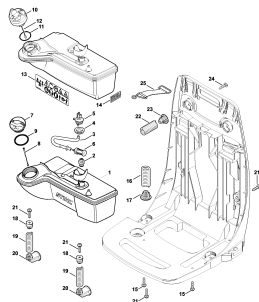
Rewind starter



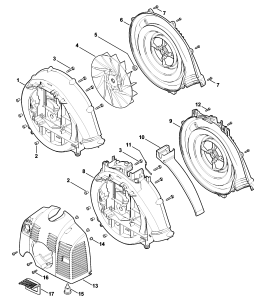
Spacer flange, Air filter



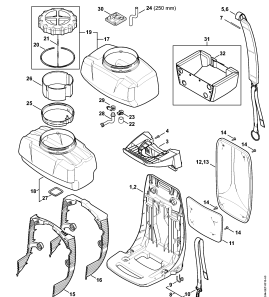
Carburetor C1Q-S209, C1Q-S210, C1Q-S165, C1Q-S166



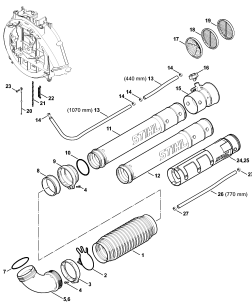
Fuel tank, AV system



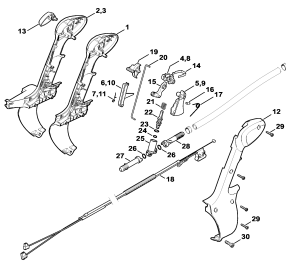
Fan housing, Shroud



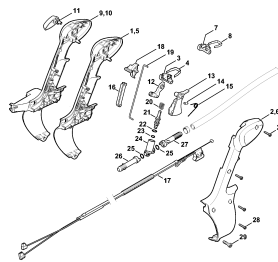
Backplate, Container



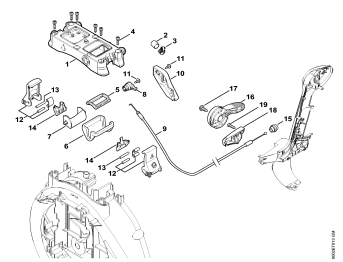
Pleated hose, Blower tube



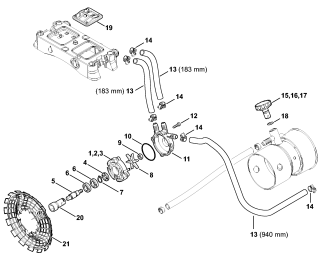
Control handle



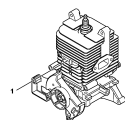
Control handle not for Europe



Dusting and granulate spreading attachment SR 450



Pressure pump



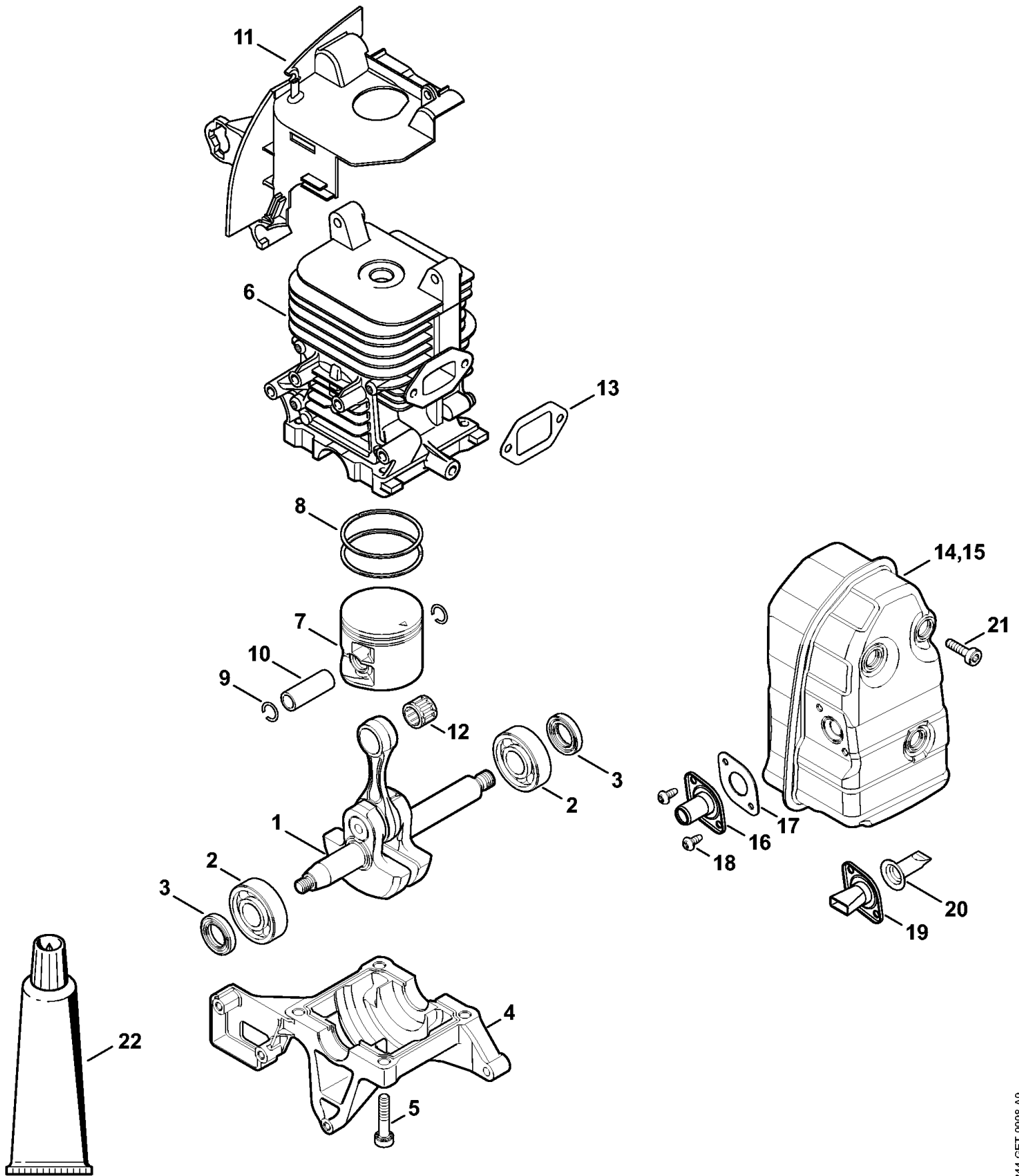
Serial number

(1) SR 430, (2) SR 430-Z, (3) SR 450, (4) SR 450-Z

SR 430, SR 450

Description	Technical Information
Crankshaft, Cylinder, Muffler	
Ignition system	
Rewind starter	
Spacer flange, Air filter	
Carburetor C1Q-S209, C1Q-S210, C1Q-S165, C1Q-S166	
Fuel tank, AV system	
Fan housing, Shroud	
Backplate, Container	
Pleated hose, Blower tube	
Control handle	
Control handle not for Europe	
Dusting and granulate spreading attachment SR 450	
Pressure pump	
Serial number	

Crankshaft, Cylinder, Muffler

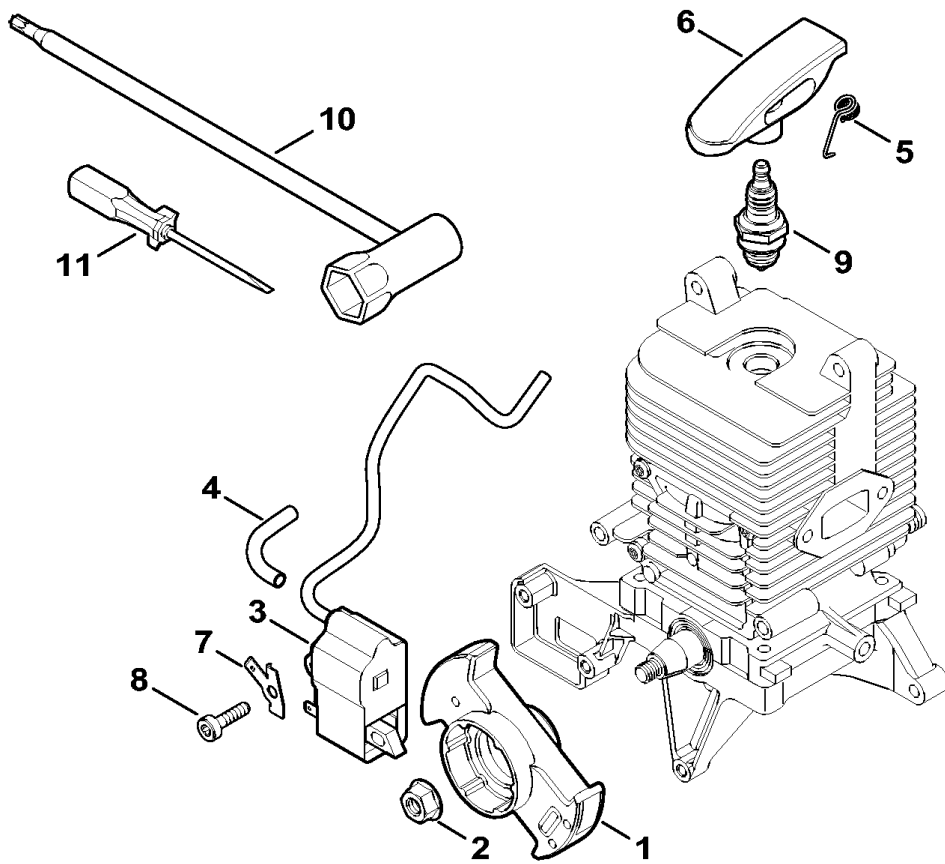


(1) SR 430, (2) SR 430-Z, (3) SR 450, (4) SR 450-Z

Crankshaft, Cylinder, Muffler

Reference	Item number	Qty	Description	Contains	Technical Information
1	4244 030 0402	1	Crankshaft		25.2005
2	9523 003 4300	2	Grooved ball bearing		
3	9639 003 1585	2	Oil seal 15x25x5		
4	4244 021 2501	1	Engine pan		
5	9022 341 1358	1	Spline screw IS-M6x28		
6	4244 020 1251	1	Cylinder with piston Ø 48 mm	7 - 11	
7	4244 030 2006	1	Piston Ø 48 mm	8 - 10	
8	1125 034 3001	2	Piston ring Ø 48x1.2 mm		
9	9463 650 1200	2	Snap ring 12x1		
10	4244 034 1500	1	Piston pin 12x8x33		
11	4244 087 3002	1	Air guide shroud		
12	9512 003 3141	1	Needle cage 12x16x13		
13	1115 149 0600	1	Muffler gasket		
14	4244 140 0600	1	Muffler (1,3)	16 - 18	
15	4244 140 0606	1	Muffler USA, CDN, AUS, NZ (2,4)	17 - 20	52.2012
16	4244 140 3400	1	Exhaust pipe (1,3)		
17	4244 149 0506	1	Gasket		
18	9039 448 0656	2	Self-tapping screw M4x9.6		
19	4244 140 3405	1	Exhaust pipe USA, CDN, AUS, NZ (2,4)		52.2012
20	4244 140 8100	1	Spark arresting screen USA, CDN, AUS, NZ (2,4)		
21	9022 341 1010	3	Spline screw IS-M5x18		
22	0783 830 2000	1	Tube of sealant HT red (B)		

(1) SR 430, (2) SR 430-Z, (3) SR 450, (4) SR 450-Z

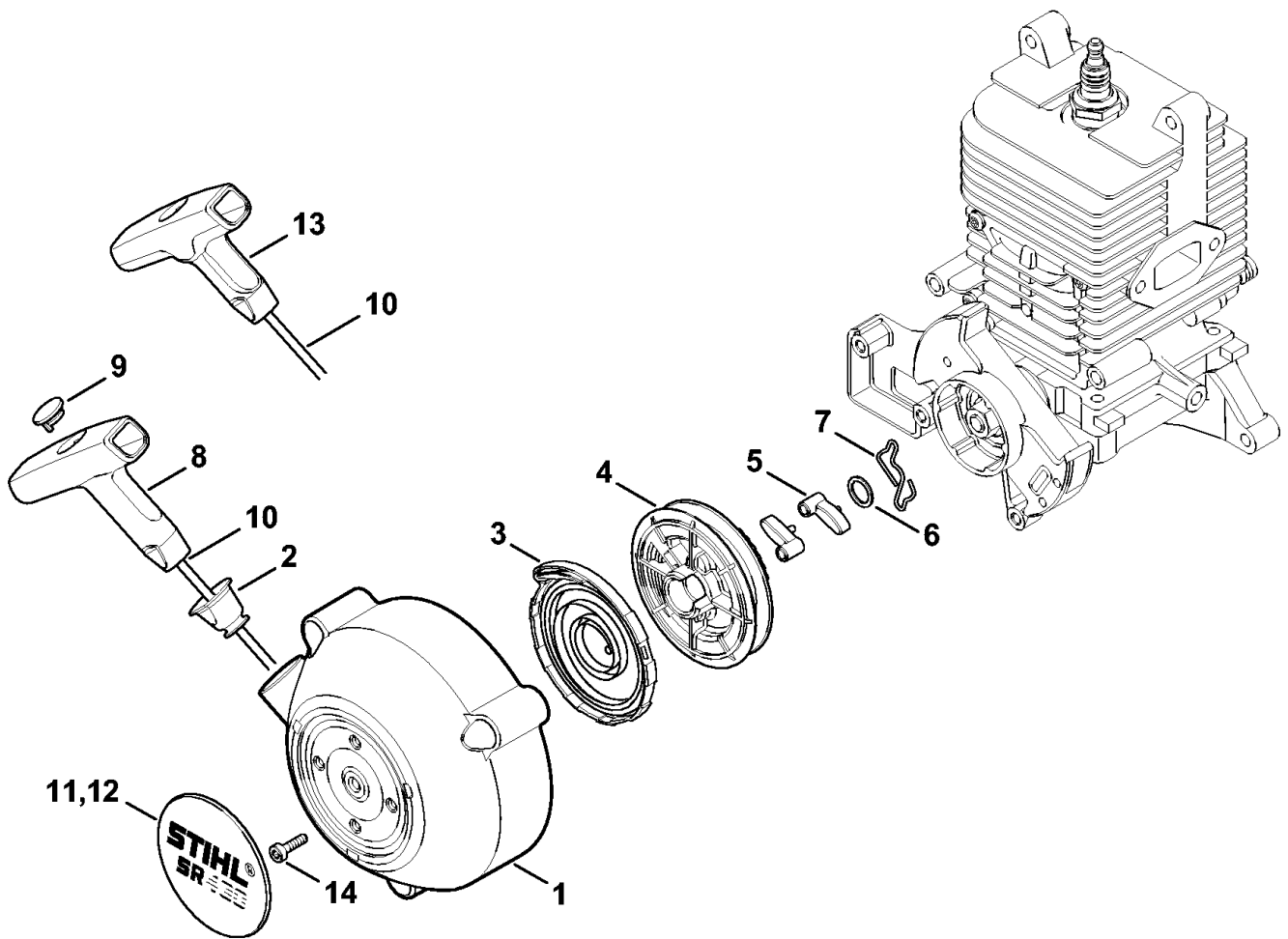


(1) SR 430, (2) SR 430-Z, (3) SR 450, (4) SR 450-Z

Ignition system

Reference	Item number	Qty	Description	Contains	Technical Information
1	4282 400 1200	1	Flywheel		25.2005
2	0000 955 0802	1	Collar nut M8x1		
3	4244 400 1303	1	Ignition module	4 - 6	
4	4144 442 0401	1	Insulating hose		
5	0000 998 0604	1	Spark plug contact spring		
6	4244 405 1000	1	Spark plug boot		
7	4244 431 2100	1	Connector tag		
8	9022 341 1019	2	Spline screw IS-M5x20		
9	0000 400 7000	1	Spark plug NGK BPMR7A		
10	4119 890 3400	1	Combination wrench		
11	0000 890 2300	1	Screwdriver		

Rewind starter

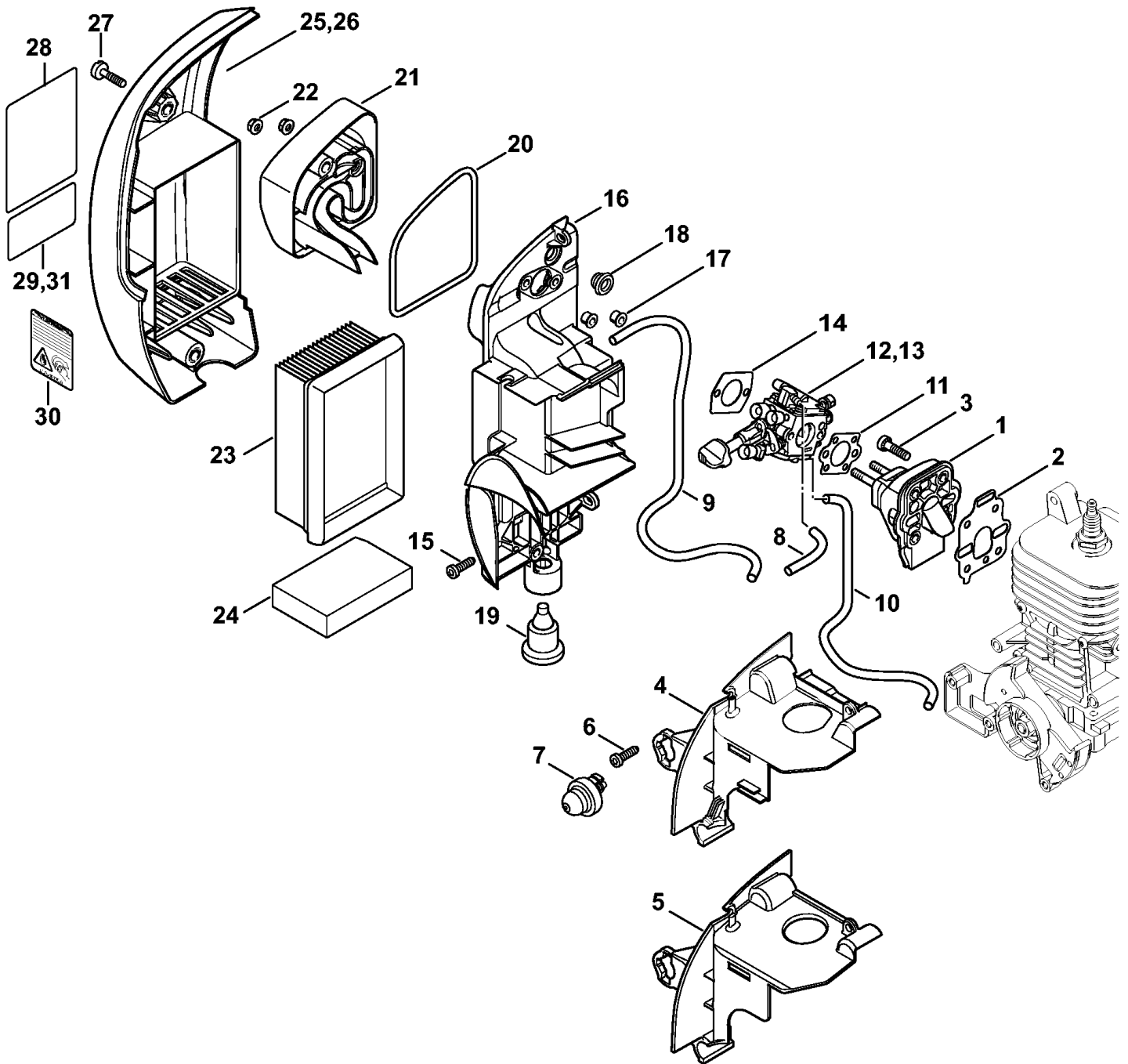


(1) SR 430, (2) SR 430-Z, (3) SR 450, (4) SR 450-Z

Rewind starter

Reference	Item number	Qty	Description	Contains
	4244 190 0304	1	Starter cover with rewind starter	1 - 12
1	4244 190 0402	1	Starter cover	2
2	1110 084 9102	1	Bushing	
3	4282 190 0600	1	Rewind spring	
4	4119 195 0400	1	Rope rotor	
5	4116 195 7200	2	Pawl	
6	0000 958 0923	1	Washer	
7	1128 195 3500	1	Spring	
8	0000 190 3401	1	Starter grip ElastoStart Ø 3.5 mm	9, 10
9	0000 195 7001	1	Cap	
10	1113 195 8200	1	Starter rope Ø 3.5x960 mm	
	0000 930 2203	1	Starter rope Ø 3.5 mm x 30.5 m (B)	
11	4244 967 1500	1	Model plate SR 430	
12	4244 967 1501	1	Model plate SR 450	
13	1121 195 3400	1	Starter grip BR (1,3)	
14	9022 341 1010	3	Spline screw IS-M5x18	

Spacer flange, Air filter



(1) SR 430, (2) SR 430-Z, (3) SR 450, (4) SR 450-Z

Spacer flange, Air filter

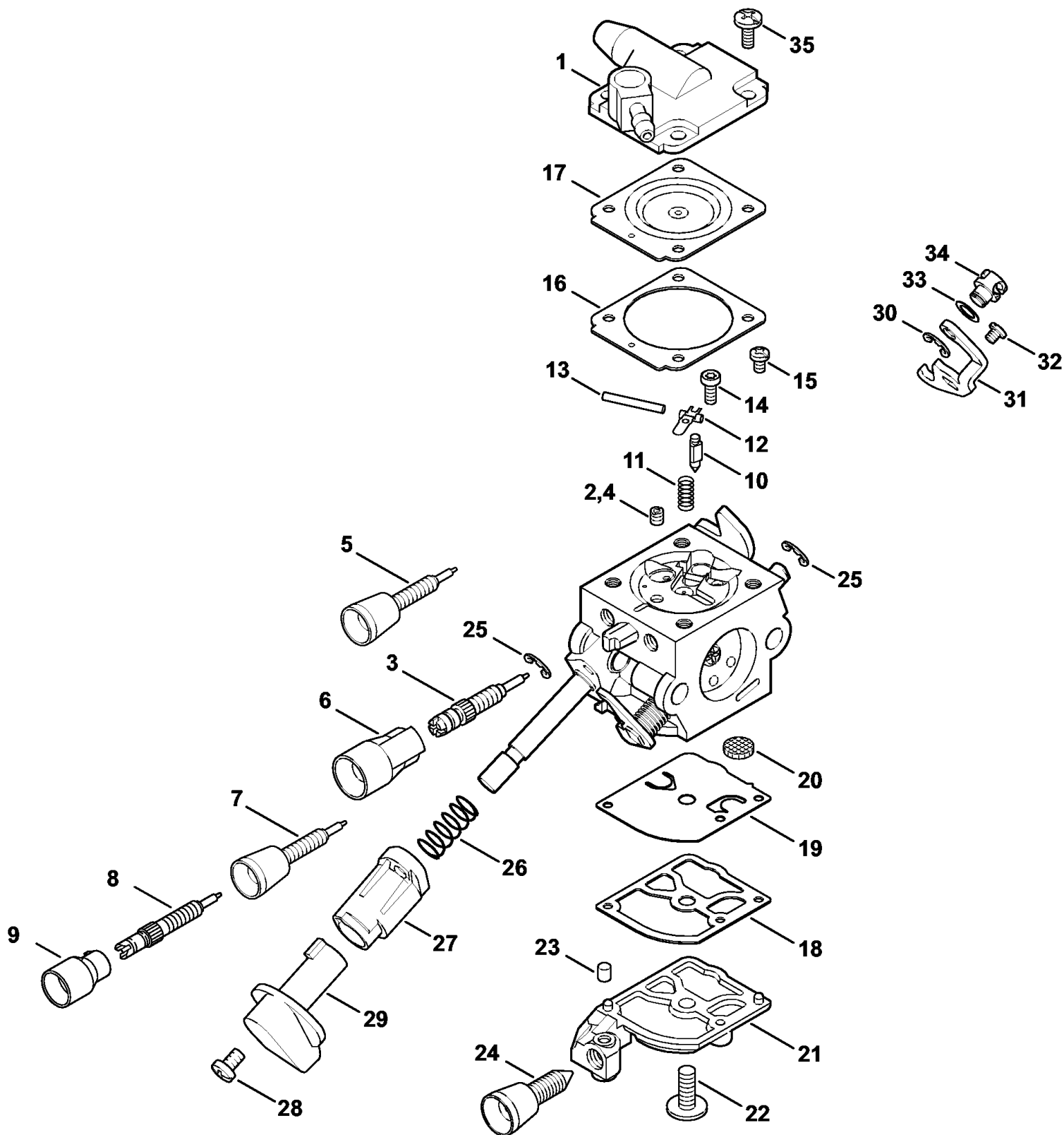
Reference	Item number	Qty	Description	Contains	Technical Information
1	4244 120 2300	1	Spacer flange		
2	4244 129 0900	1	Gasket		
3	9022 371 1020	4	Spline screw IS-M5x20		
4	4244 087 3002	1	Air guide shroud		
5	* 4244 087 3000	1	Air guide shroud (1,3,4)		
6	9074 477 4132	2	Pan head self-tapping screw IS-P5x18		
7	4238 350 6201	1	Fuel pump		
8		1	Hose 3.1x5.7x58 mm, R3 (D)		
9		1	Hose 3.1x5.7x407 mm, R3 (D)		
	0000 930 2803	1	Hose 3.1x5.7 mm x 1 m, R3 (B)		
	0712 923 8004	1	Hose 3.1x5.7 mm x 10 m, R3 (B)		
10		1	Hose 3.1x5.7x310 mm, R5 (D)		
	0000 937 5004	1	Hose 3.1x5.7 mm x 1 m, R5 (B)		
11	1125 129 0500	1	Gasket		
12	4244 120 0603	1	Carburetor C1Q-S209D		52.2012
13	4244 120 0605	1	Carburetor C1Q-S210C available in Brazil only (1,3)		
14	4114 149 1205	1	Gasket		
15	9074 477 4132	2	Pan head self-tapping screw IS-P5x18		
16	4244 140 2802	1	Filter housing	17 - 20	
17	0000 963 0809	2	Bushing		
18	4134 123 7500	1	Grommet		
19	4282 791 5902	1	Stop buffer		
20	4244 149 0500	1	Gasket		
21	4244 120 4100	1	Baffle	20	
22	9220 260 0700	2	Hexagon nut M5		
23	4223 141 0300	1	Air filter		
24	4244 141 0600	1	Prefilter		
25	4244 140 1003	1	Filter cover	27, 28	
26	4244 140 1004	1	Filter cover USA (2,4)	27 - 30	
27	9022 319 1027	2	Screw IS-M5x21		
28	0000 967 7246	1	Warning pictogram SR		
29	0000 967 3907	1	Instruction label USA (2,4)		

(1) SR 430, (2) SR 430-Z, (3) SR 450, (4) SR 450-Z

Spacer flange, Air filter

Reference	Item number	Qty	Description	Contains	Technical Information
30	0000 967 4070	1	Warning pictogram Filler cap USA (2,4)		
31	* 0000 967 4054	1	Warning Spark arresting screen USA (2,4)		52.2012

(1) SR 430, (2) SR 430-Z, (3) SR 450, (4) SR 450-Z



(1) SR 430, (2) SR 430-Z, (3) SR 450, (4) SR 450-Z

Carburetor C1Q-S209, C1Q-S210, C1Q-S165, C1Q-S166

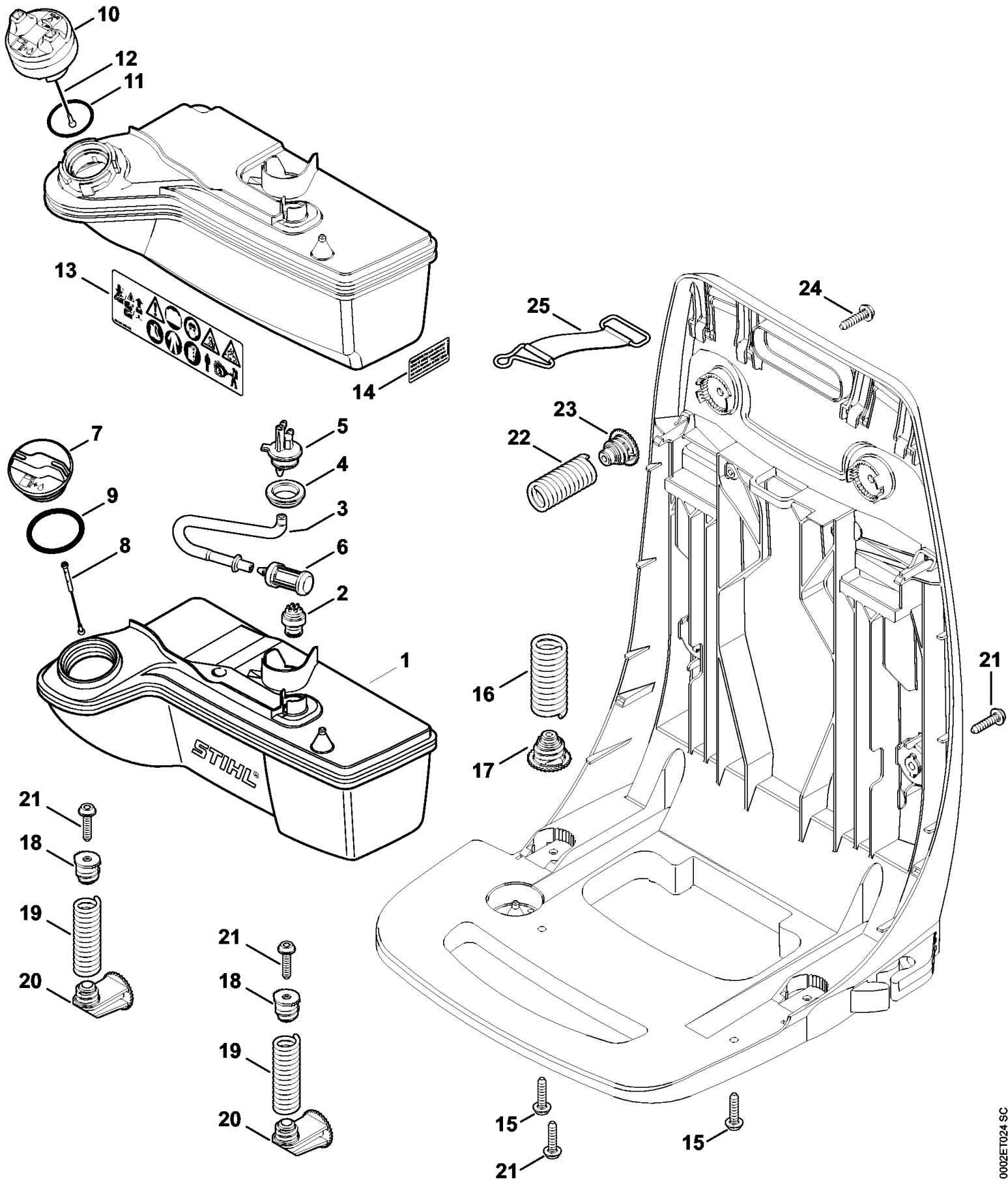
Reference	Item number	Qty	Description	Contains	Technical Information
	4244 120 0603	1	Carburetor C1Q-S209D (1,2,3,4)	1 - 3, 6, 8 - 14, 16 - 35	52.2012
	4244 120 0605	1	Carburetor C1Q-S210C available in Brazil only (3)	1, 4, 5, 7, 10 - 14, 16 - 35	
	* 4244 120 0602	1	Carburetor C1Q-S165 (C) (1,3,4)	1 - 3, 6, 7, 10 - 13, 15 - 35	39.2011
	* 4244 120 0604	1	Carburetor C1Q-S166 (C) available in Brazil only (1,3)	1, 4, 5, 7, 10 - 13, 15 - 35	39.2011
1	4244 121 0800	1	End cover		
2	4229 121 5601	1	Fixed jet 0.36		
3	4244 122 6700	1	High speed screw		
4	1132 121 5640	1	Fixed jet 0.40 BR (1,3)		
5	4244 122 6701	1	High speed screw BR (1,3)		
6	4229 121 2701	1	Cap		
7	4244 122 6800	1	Low speed screw		52.2012
8	4244 120 6800	1	Low speed screw	9	52.2012
9	4144 121 2700	1	Cap		52.2012
10	4116 121 5100	1	Inlet needle		
11	1120 122 3004	1	Spring		
12	1125 121 5000	1	Inlet control lever		
13	1120 121 9200	1	Spindle		
14	0000 122 7101	1	Screw		
15	* 4241 122 6600	1	Collar screw (1,3,4)		39.2011
16	4229 129 0901	1	Gasket		
17	4229 121 4700	1	Metering diaphragm		
18	1123 129 0905	1	Gasket		
19	1129 121 4800	1	Pump diaphragm		
20	1123 121 7800	1	Strainer		
21	4244 121 0801	1	End cover		
22	1120 122 7800	1	Oval head screw		
23	1125 122 4200	1	Clamp		
24	4229 122 6200	1	Idle speed screw		
25	4282 122 9000	2	E-clip		
26	0000 997 3101	1	Compression spring		
27	4244 182 7200	1	Guide piece		
28	4144 122 7100	1	Screw		
29	4244 182 9502	1	Choke knob		
30	1120 122 9000	1	E-clip		
31	4244 121 3500	1	Throttle lever		

(1) SR 430, (2) SR 430-Z, (3) SR 450, (4) SR 450-Z

Carburetor C1Q-S209, C1Q-S210, C1Q-S165, C1Q-S166

Reference	Item number	Qty	Description	Contains	Technical Information
32	9079 319 0280	1	Flat head screw M3x3.5		
33	4137 121 8600	1	Washer		
34	4128 121 8901	1	Pin		
35	1120 122 6601	1	Collar screw		
	4228 007 1051	1	Set of carburetor parts (B)	16 - 19	

Fuel tank, AV system



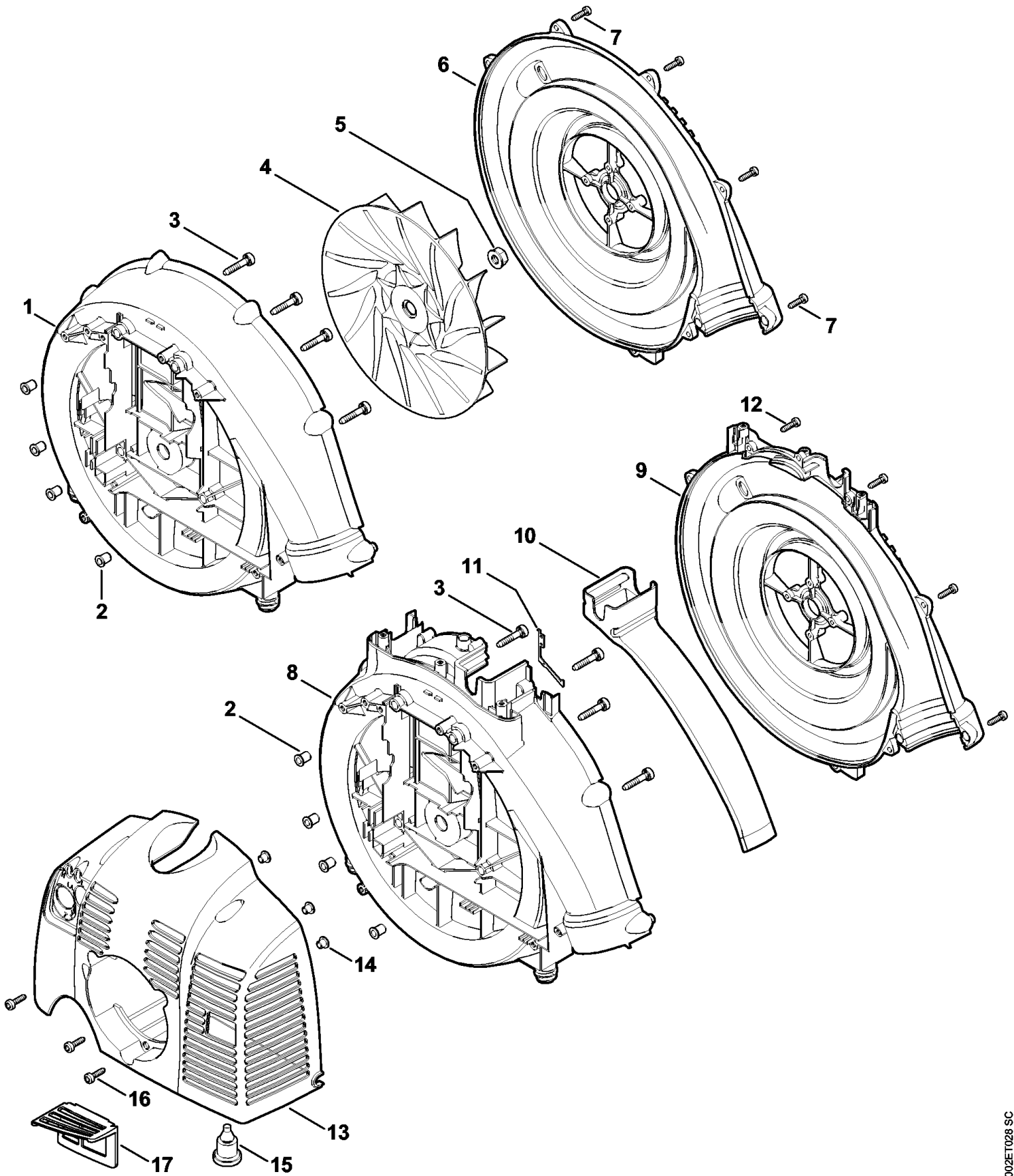
(1) SR 430, (2) SR 430-Z, (3) SR 450, (4) SR 450-Z

Fuel tank, AV system

Reference	Item number	Qty	Description	Contains	Technical Information
1	4244 350 0407	1	Fuel tank	2 - 9	
2	0000 350 5800	1	Tank vent		
3	4244 358 0801	1	Hose		
4	4238 353 9200	1	Grommet		
5	4238 353 2701	1	Connector		
6	0000 350 3502	1	Pickup body		
7	0000 350 0527	1	Filler cap	8, 9	
8	0000 350 0900	1	Rope		
9	9645 951 3890	1	O-ring 35x3-FPM 80		
10	* 0000 350 0514	1	Filler cap (1,3,4)	11, 12	52.2012
11	* 9645 948 2471	1	O-ring 23x3 (1,3,4)		52.2012
12	* 0000 350 0905	1	Rope (1,3,4)		52.2012
13	* 4244 967 4002	1	Warning pictogram SR (1,3,4)		52.2012
14	* 0000 967 3541	1	Instruction label CDN (2,4)		52.2012
15	9074 478 4140	2	Pan head self-tapping screw IS-P6x25		
16	4244 791 3100	2	Spring		
17	4244 792 2904	2	AV mount		
18	4244 792 2902	2	AV mount		
19	4244 791 3102	2	Spring		
20	4244 792 2900	2	AV mount		
21	9074 478 4140	6	Pan head self-tapping screw IS-P6x25		
22	4244 791 3103	2	Spring (3,4)		
23	4244 792 2901	2	AV mount (3,4)		
24	9074 478 4140	2	Pan head self-tapping screw IS-P6x25 (3,4)		
25	4244 790 4200	1	Retaining strap (3,4)		

(1) SR 430, (2) SR 430-Z, (3) SR 450, (4) SR 450-Z

Fan housing, Shroud



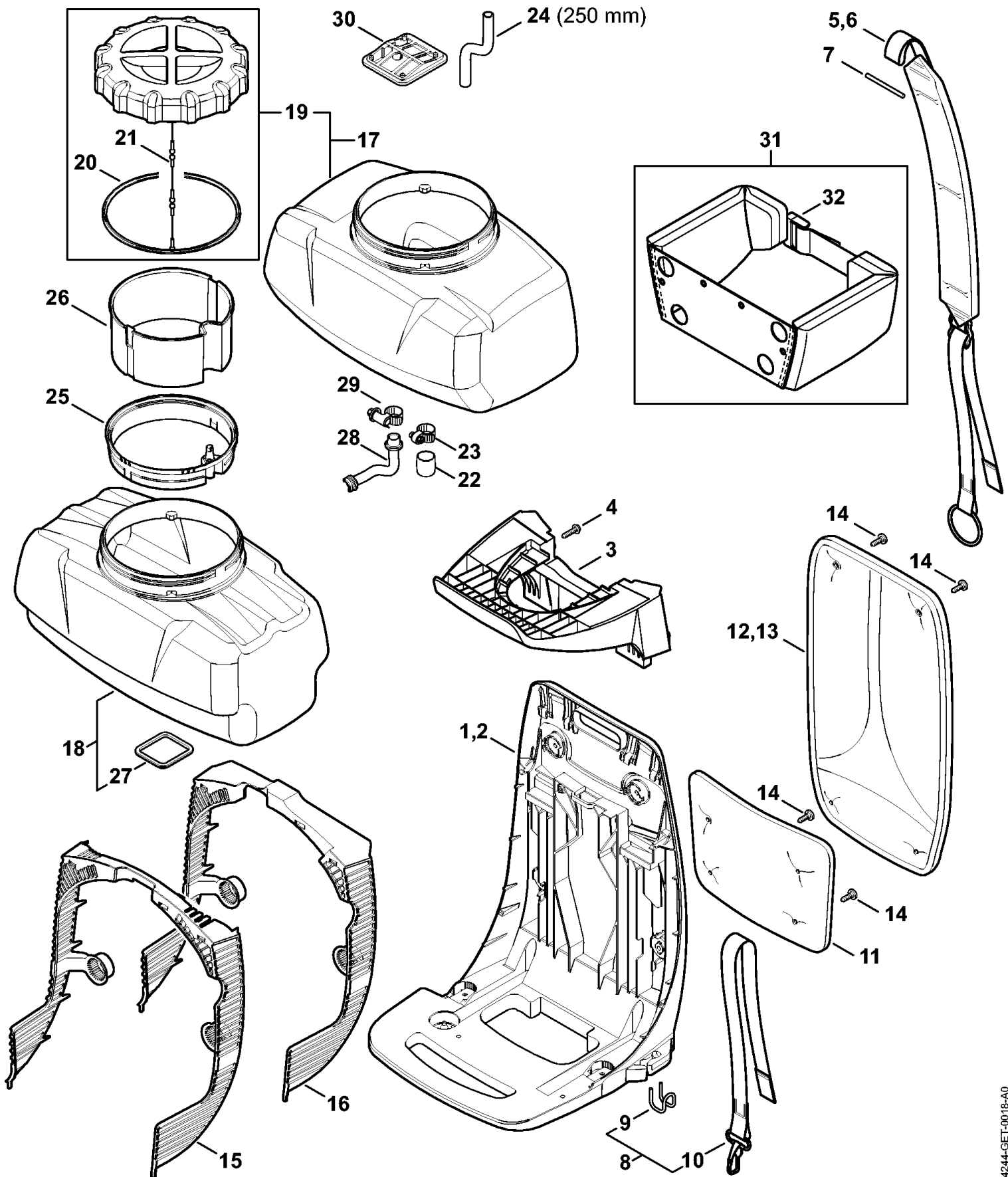
(1) SR 430, (2) SR 430-Z, (3) SR 450, (4) SR 450-Z

Fan housing, Shroud

Reference	Item number	Qty	Description	Contains	Technical Information
1	4244 700 4109	1	Fan housing (1,2)	2	
2	0000 963 0900	4	Bushing		
3	9075 478 4718	4	Pan head self-tapping screw IS-D6x32		
4	4244 700 3406	1	Fan wheel		
5	9220 260 1301	1	Hexagon nut M10x1		
6	4244 701 0700	1	Fan housing, outer (1,2)		
7	9074 477 4132	10	Pan head self-tapping screw IS-P5x18 (1,2)		
8	4244 700 4110	1	Fan housing (3,4)	2	
9	4244 701 0701	1	Fan housing, outer (3,4)		
10	4244 761 0801	1	Air baffle (3,4)		
11	4244 519 0109	1	Gasket (3,4)		
12	9074 477 4132	11	Pan head self-tapping screw IS-P5x18 (3,4)		
13	4244 700 2104	1	Shroud	14, 15	52.2012
14	9991 003 5087	3	Sleeve 7.5x6.8		
15	4282 791 5902	1	Stop buffer		
16	9074 477 4132	3	Pan head self-tapping screw IS-P5x18		
17	4244 084 6800	1	Spacer USA, CDN (4)		52.2012

(1) SR 430, (2) SR 430-Z, (3) SR 450, (4) SR 450-Z

Backplate, Container



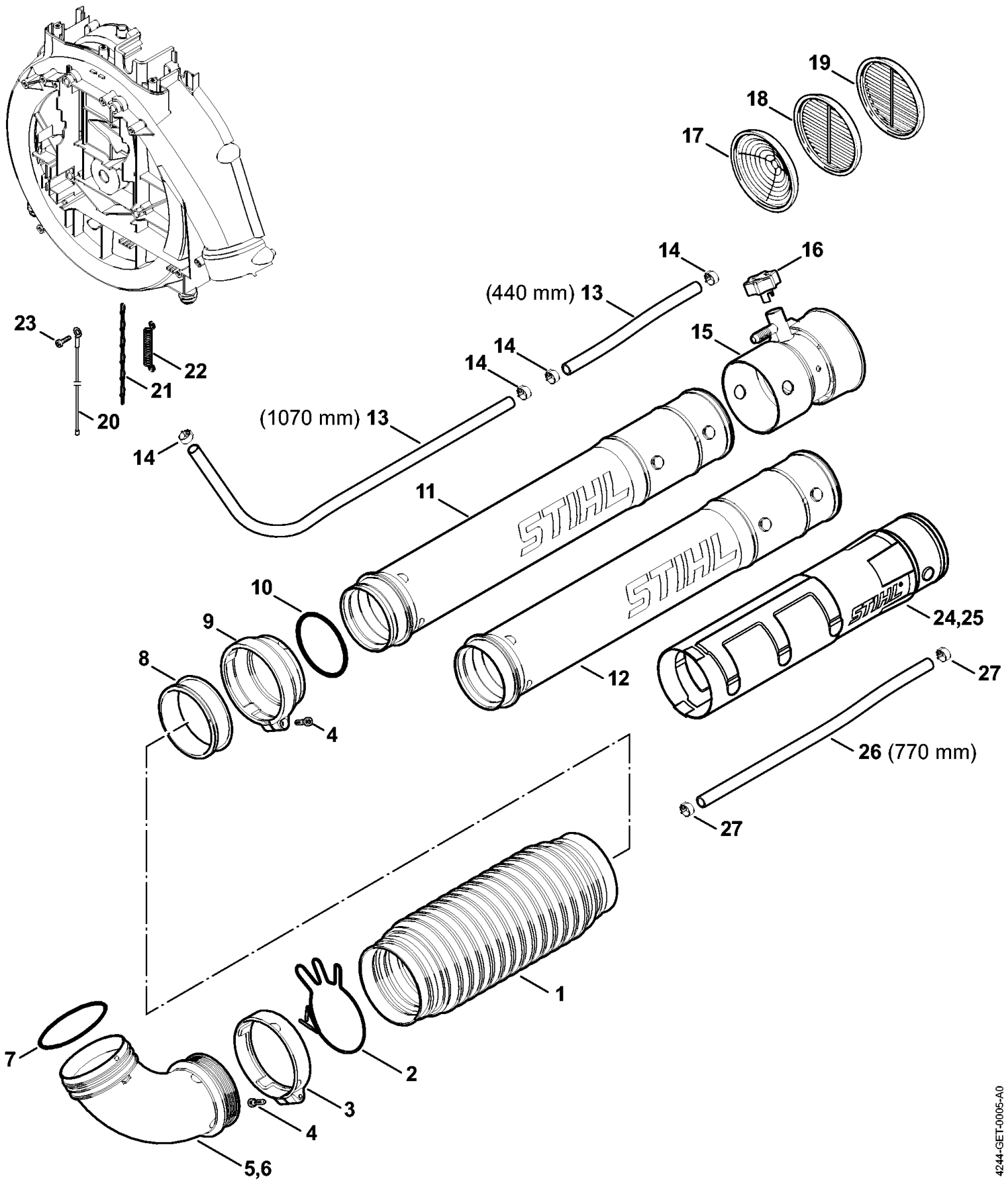
(1) SR 430, (2) SR 430-Z, (3) SR 450, (4) SR 450-Z

Backplate, Container

Reference	Item number	Qty	Description	Contains	Technical Information
1	4244 701 1805	1	Backplate		
2	* 4244 700 3803	1	Backplate (1,3,4)	1, 3, 16	
3	4244 791 3403	1	Carrier (1,2)		
4	9074 478 4140	2	Pan head self-tapping screw IS-P6x25 (1,2)		
5	4244 710 9001	2	Harness (1,3,4)		
6	4244 710 9002	2	Harness Europe, BR, USA (1,2,3,4)		
7	4244 716 3700	2	Pin		
8	4244 007 1008	1	Repair kit hook (B)	9, 10	25.2014
9	4244 791 4600	1	Hook (B)		25.2014
10	4244 710 6900	1	Snap hook with strap (B)		25.2014
11	4244 790 8000	1	Back rest pad (1,3,4)		
12	4244 790 8002	1	Back rest pad (1,2,3,4)		
13	* 4244 790 8000	1	Back rest pad USA (4)		
14	0000 951 1105	4	Pan head self-tapping screw IS-P5x14		
15	4244 706 8000	1	Screen (1,2)		
16	4244 706 8004	1	Screen (3,4)		
17	4244 700 0810	1	Container 14 I (1,2)	19 - 21	
18	4244 700 0812	1	Container 14 I (3,4)	19 - 21, 27	
19	4244 700 0903	1	Container cap	20, 21	
20	4244 709 2000	1	Sealing ring		
21	0000 350 0906	1	Filler cap retainer		
22	4244 708 5900	1	Plug		
23	9771 021 1400	1	Hose clip 14-9		
24	0000 937 4054	1	Hose 10x2x1070 mm (B)		
25	4244 701 1600	1	Insert		
26	4244 708 1000	1	Strainer		
27	4244 719 0250	1	Gasket (3,4)		
28	4244 701 6001	1	Hose (1,2)		
29	9771 021 1152	1	Hose clip 12-18 (B) (1,2)		
30	4244 700 8802	1	Strainer (B) (1,2)		
31	4203 710 9102	1	Lap belt (B)	32	
32	4134 710 6401	1	Buckle		

(1) SR 430, (2) SR 430-Z, (3) SR 450, (4) SR 450-Z

Pleated hose, Blower tube



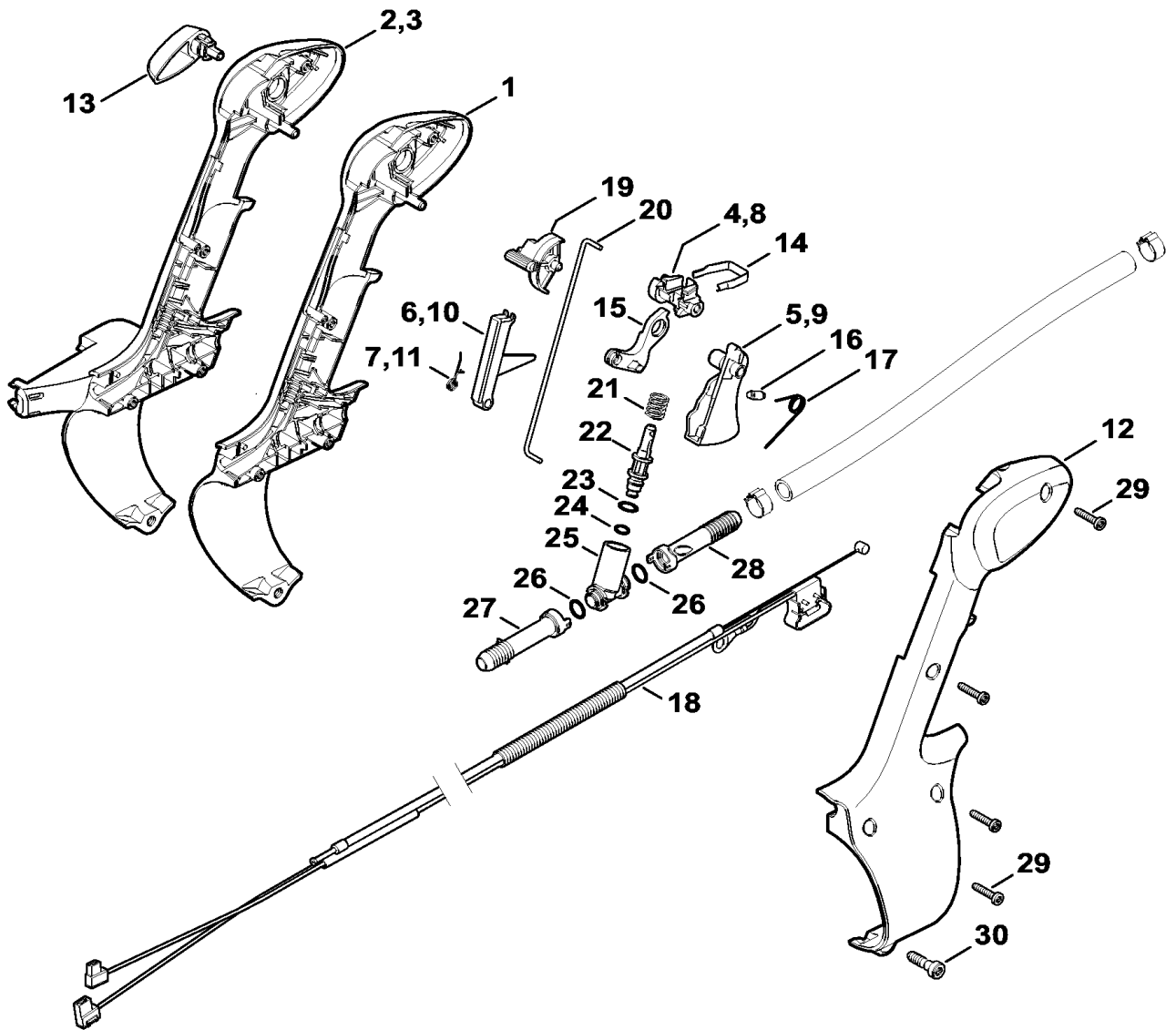
(1) SR 430, (2) SR 430-Z, (3) SR 450, (4) SR 450-Z

Pleated hose, Blower tube

Reference	Item number	Qty	Description	Contains
1	4244 701 6104	1	Pleated hose	
2	4244 708 8700	1	Hose clip	
3	4282 708 8705	1	Hose clip	
4	9074 478 4545	2	Pan head self-tapping screw IS-P6x26.5	
5	4282 700 6900	1	Elbow (1,2)	7
6	4244 700 6903	1	Elbow (3,4)	7
7	9645 945 8645	1	O-ring 85x3,5	
8	4244 701 6300	1	Slip ring	
9	4244 700 7100	1	Hose clip	4
10	9645 945 8535	1	O-ring 75x5 (3,4)	
11	4244 701 5400	1	Blower tube (3,4)	
12	4244 701 5404	1	Blower tube (1,2)	
13	0000 937 4054	1	Hose 10x2x1070 mm	
14	9771 021 0780	4	Hose clip 14-15/8	
15	4244 700 6303	1	Nozzle	16
16	4244 708 4003	1	Dosage unit	
17	4244 708 6700	1	Tapered screen	
18	4244 708 6800	1	Baffle screen	
19	4244 708 6600	1	Double baffle screen	
20	4244 740 7101	1	Antistatic wire (3,4)	
21	4244 717 8101	1	Chain (3,4)	
22	0000 997 5601	1	Tension spring (3,4)	
23	9074 477 4132	1	Pan head self-tapping screw IS-P5x18 (3,4)	
24	4244 770 0300	1	Extension tube (B)	25 - 27
25	4282 700 1800	1	Blower tube (B)	
26	0000 937 4054	1	Hose 10x2x1070 mm (B)	
27	9771 021 0780	2	Hose clip 14-15/8 (B)	

(1) SR 430, (2) SR 430-Z, (3) SR 450, (4) SR 450-Z

Control handle

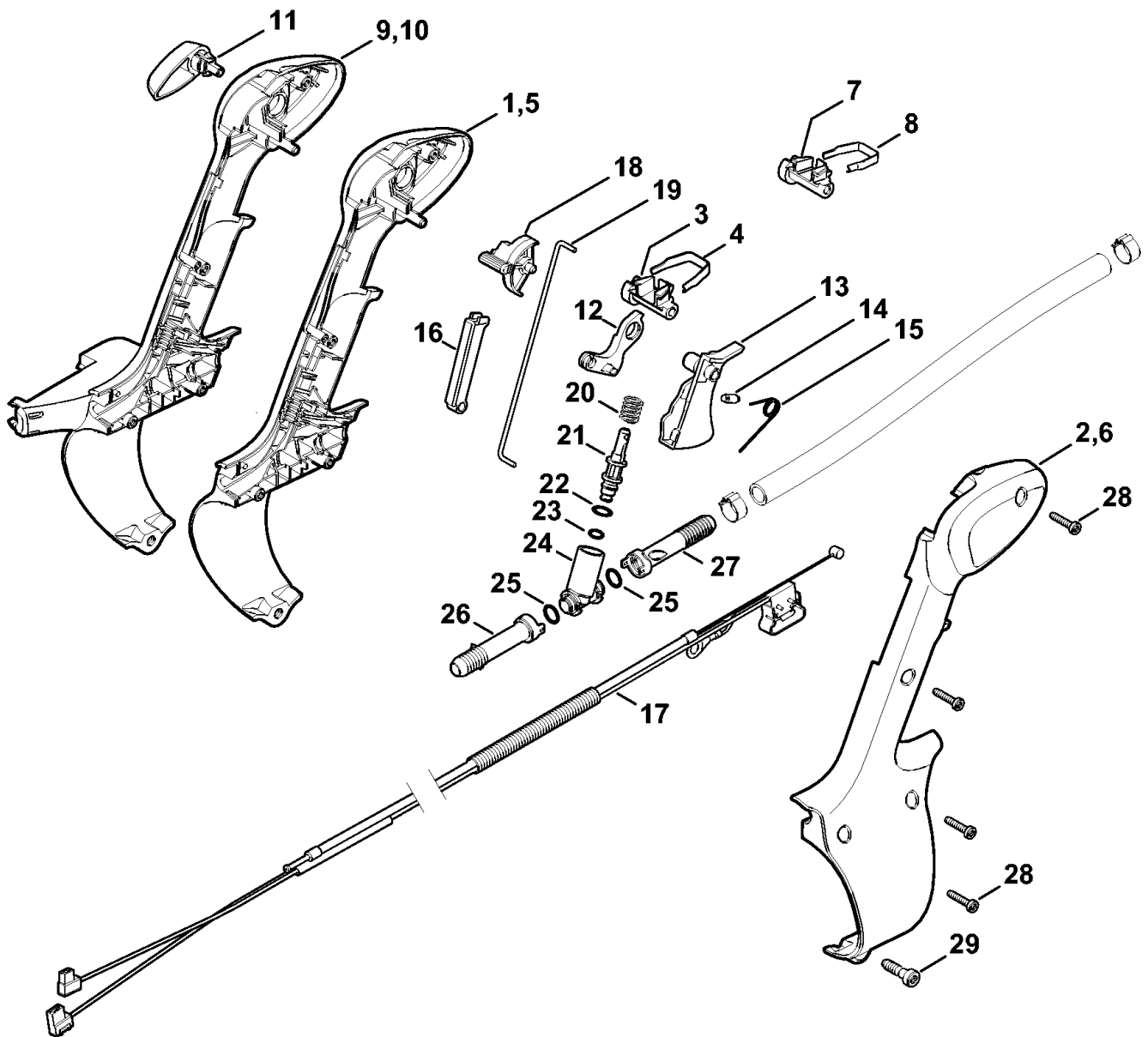


(1) SR 430, (2) SR 430-Z, (3) SR 450, (4) SR 450-Z

Control handle

Reference	Item number	Qty	Description	Contains
	4244 790 1300	1	Control handle Europe, USA, CDN (1,2)	1, 4 - 7, 12 - 29
	4244 790 1301	1	Control handle Europe (3)	2, 4 - 7, 12 - 29
	4244 790 1301	1	Control handle Europe, USA, CDN (4)	3, 8 - 29
1	4244 791 0800	1	Handle molding, inner Europe, USA, CDN (1,2)	
2	4244 791 0801	1	Handle molding, inner Europe (3)	
3	4244 791 0801	1	Handle molding, inner Europe, USA, CDN (4)	
4	4244 182 4300	1	Cam Europe, USA, CDN (1,2,3)	
5	4244 182 1000	1	Throttle trigger Europe, USA, CDN (1,2,3)	
6	4244 182 0800	1	Lockout lever Europe, USA, CDN (1,2,3)	
7	4244 182 4502	1	Torsion spring Europe, USA, CDN (1,2,3)	
8	4244 182 4300	1	Cam Europe, USA, CDN (4)	
9	4244 182 1000	1	Throttle trigger Europe, USA, CDN (4)	
10	4244 182 0800	1	Lockout lever Europe, USA, CDN (4)	
11	4244 182 4502	1	Torsion spring Europe, USA, CDN (4)	
12	4244 791 0802	1	Handle molding, outer (1,2,3,4)	
13	4244 182 2900	1	Locking lever (1,2,3,4)	
14	4244 182 4200	1	Detent spring (1,2,3,4)	
15	4244 182 2800	1	Lever (1,2,3,4)	
16	0000 953 0808	1	Stud (1,2,3,4)	
17	4244 182 4500	1	Torsion spring (1,2,3,4)	
18	4244 180 1100	1	Throttle cable (1,2,3,4)	
19	4244 512 2300	1	Lever (1,2,3,4)	
20	4244 512 2700	1	Rod (1,2,3,4)	
	4244 670 5000	1	Valve (1,2,3,4)	21 - 28
21	0000 997 2012	1	Compression spring (1,2,3,4)	
22	4244 512 2600	1	Piston (1,2,3,4)	
23	9645 951 7486	1	O-ring 7x2.5 (1,2,3,4)	
24	9645 951 7459	1	O-ring 5x2.5 (1,2,3,4)	
25	4244 512 0600	1	Valve (1,2,3,4)	
26	9645 951 0760	2	O-ring 9x2 (1,2,3,4)	
27	4244 512 2900	1	Tube (1,2,3,4)	
28	4244 512 2902	1	Tube (1,2,3,4)	
29	9074 478 3075	4	Pan head self-tapping screw IS-P4x19 (1,2,3,4)	
30	9074 478 4545	1	Pan head self-tapping screw IS-P6x26.5 (1,2,3,4)	

(1) SR 430, (2) SR 430-Z, (3) SR 450, (4) SR 450-Z



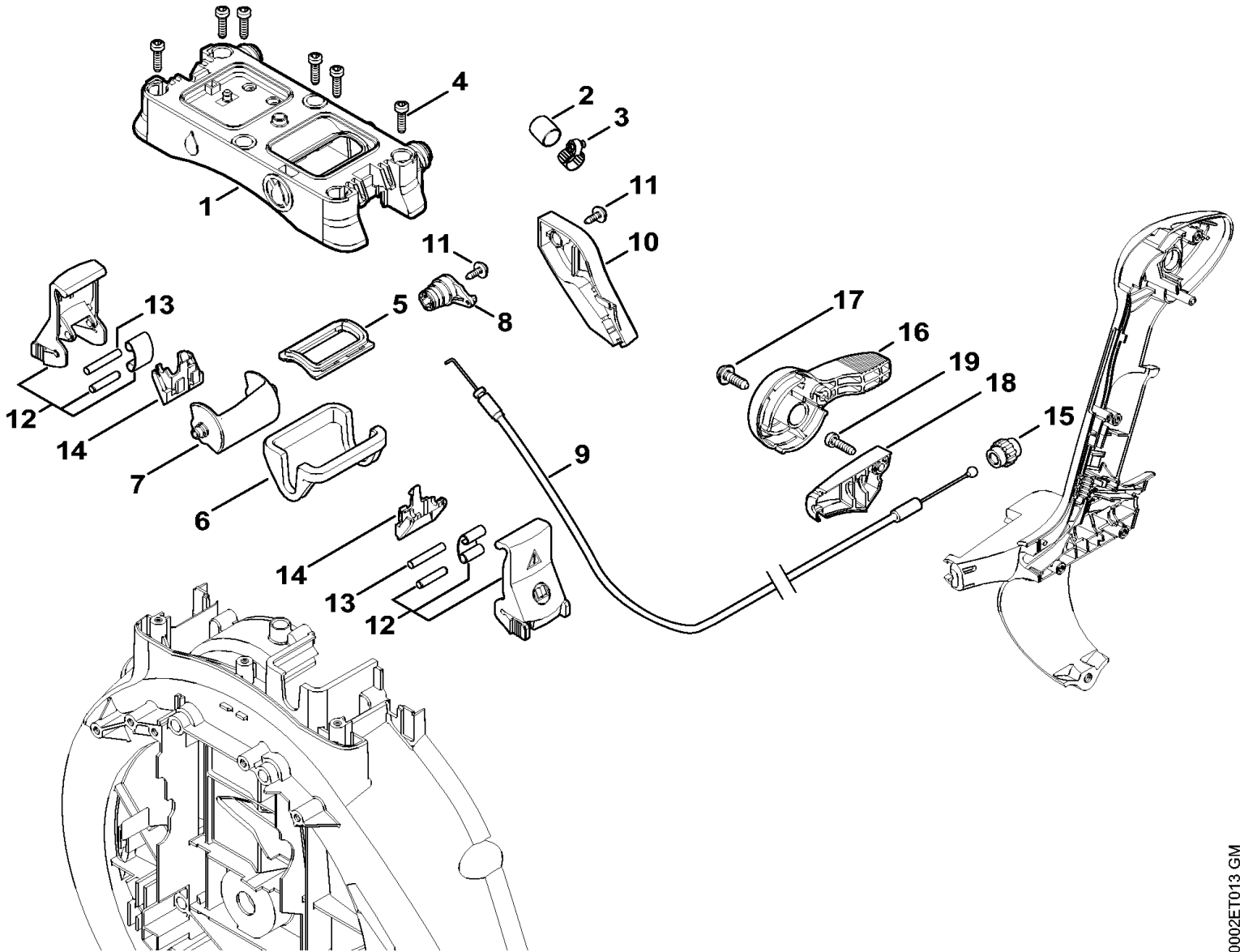
(1) SR 430, (2) SR 430-Z, (3) SR 450, (4) SR 450-Z

Control handle not for Europe

Reference	Item number	Qty	Description	Contains
	4244 790 1310	1	Control handle not for Europe (1)	1 - 4, 11 - 28
	4244 790 1311	1	Control handle not for Europe (3)	2 - 4, 9, 11 - 28
1	4244 791 0809	1	Handle molding, inner not for Europe (1)	
2	4244 791 0810	1	Handle molding, outer not for Europe (1,3)	
3	4244 182 4301	1	Cam not for Europe (1,3)	
4	4244 182 4201	1	Detent spring not for Europe (1,3)	
5	* 4244 791 0804	1	Handle molding, inner not for Europe (1,3)	
6	* 4244 791 0802	1	Handle molding, outer (1,3)	
7	* 4244 182 4302	1	Cam not for Europe (1,3)	
8	* 4244 182 4200	1	Detent spring (1,3)	
9	4244 791 0811	1	Handle molding, inner not for Europe (3)	
10	* 4244 791 0803	1	Handle molding, inner not for Europe (1,3)	
11	4244 182 2900	1	Locking lever (1,3)	
12	4244 182 2800	1	Lever (1,3)	
13	4244 182 1002	1	Throttle trigger not for Europe (1,3)	
14	0000 953 0808	1	Stud (1,3)	
15	4244 182 4500	1	Torsion spring (1,3)	
16	4244 791 7500	1	Cover not for Europe (1,3)	
17	4244 180 1100	1	Throttle cable (1,3)	
18	4244 512 2300	1	Lever (1,3)	
19	4244 512 2700	1	Rod (1,3)	
	4244 670 5000	1	Valve (1,3)	20 - 27
20	0000 997 2012	1	Compression spring (1,3)	
21	4244 512 2600	1	Piston (1,3)	
22	9645 951 7486	1	O-ring 7x2.5 (1,3)	
23	9645 951 7459	1	O-ring 5x2.5 (1,3)	
24	4244 512 0600	1	Valve (1,3)	
25	9645 951 0760	2	O-ring 9x2 (1,3)	
26	4244 512 2900	1	Tube (1,3)	
27	4244 512 2902	1	Tube (1,3)	
28	9074 478 3075	4	Pan head self-tapping screw IS-P4x19 (1,3)	
29	9074 478 4545	1	Pan head self-tapping screw IS-P6x26.5 (1,3)	

(1) SR 430, (2) SR 430-Z, (3) SR 450, (4) SR 450-Z

Dusting and granulate spreading attachment SR 450

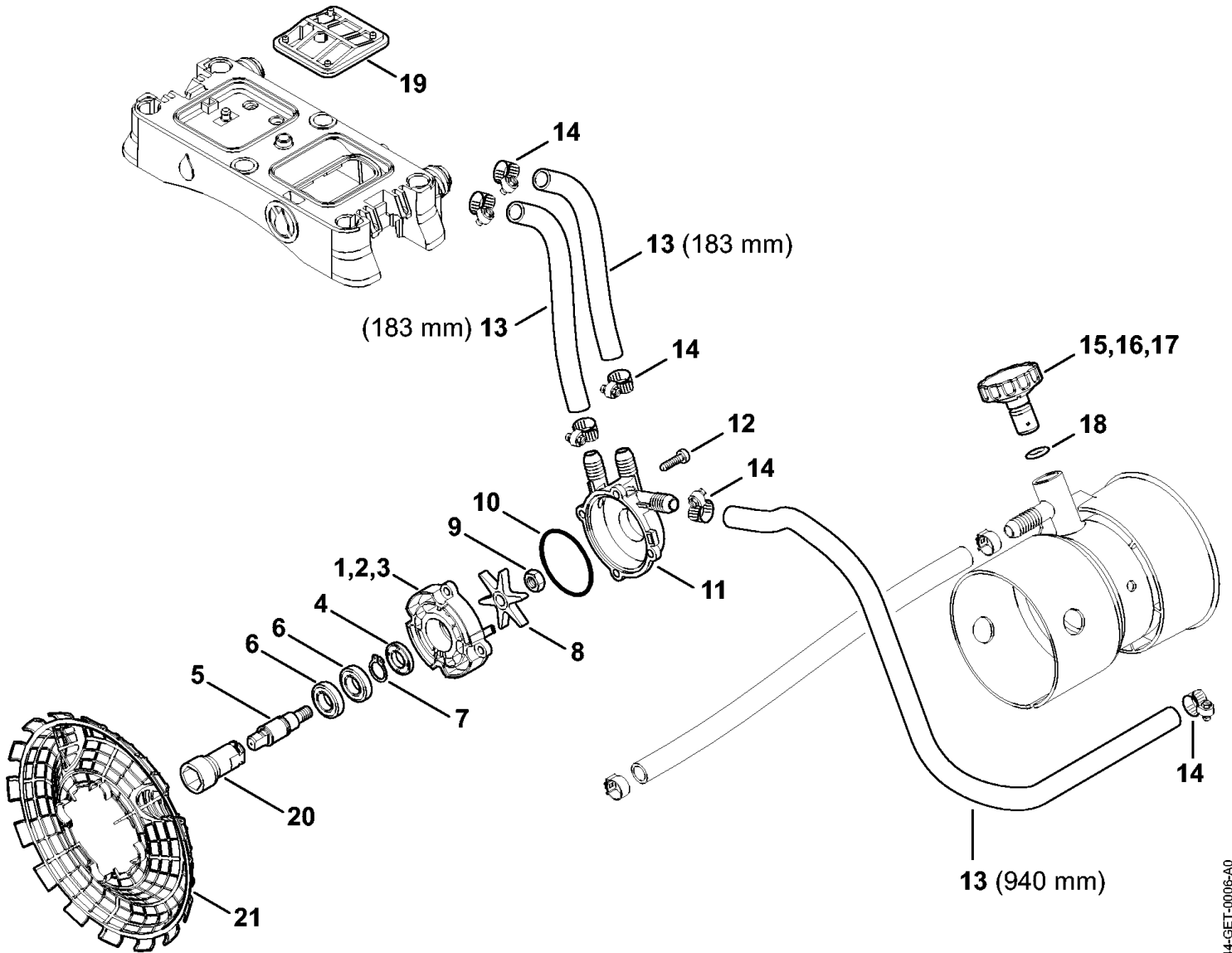


(1) SR 430, (2) SR 430-Z, (3) SR 450, (4) SR 450-Z

Dusting and granulate spreading attachment SR 450

Reference	Item number	Qty	Description
1	4244 701 1001	1	Housing (3,4)
2	4244 708 5900	1	Plug (3,4)
3	9771 021 1400	1	Hose clip 14-9 (3,4)
4	9074 477 4132	6	Pan head self-tapping screw IS-P5x18 (3,4)
5	4244 519 0101	1	Gasket (3,4)
6	4244 519 0103	1	Gasket (3,4)
7	4244 512 2801	1	Shutter (3,4)
8	4244 510 3601	1	Shaft (3,4)
9	4244 790 2403	1	Bowden cable (3,4)
10	4244 512 2501	1	Cover (3,4)
11	9104 003 3002	2	Self-tapping screw IS-P4x12 (3,4)
12	4244 790 5503	2	Twist lock (3,4)
13	4244 792 3101	2	Axle (3,4)
14	4244 792 1501	2	Support (3,4)
15	4244 793 0101	1	Adjusting wheel (3,4)
16	4244 791 2901	1	Lever (3,4)
17	9074 478 4140	1	Pan head self-tapping screw IS-P6x25 (3,4)
18	4244 791 7501	1	Cover (3,4)
19	9074 477 4132	1	Pan head self-tapping screw IS-P5x18 (3,4)

Pressure pump

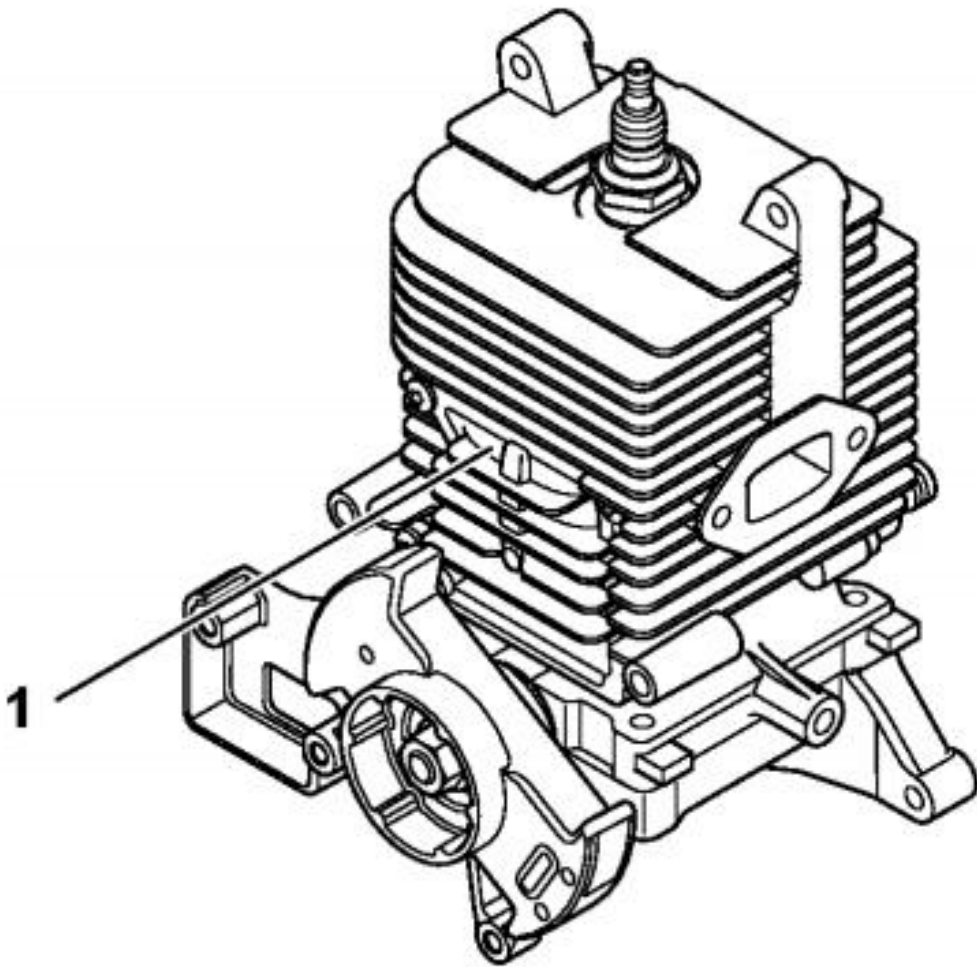


(1) SR 430, (2) SR 430-Z, (3) SR 450, (4) SR 450-Z

Pressure pump

Reference	Item number	Qty	Description	Contains
1	4244 007 1004	1	Pressure pump mounting kit	2 - 21
2	4244 700 0604	1	Pressure pump	3 - 11
3	4244 701 0508	1	Pump housing, top	
4	9640 003 0970	1	Oil seal 10x22x6	
5	4244 704 0504	1	Shaft	
6	9503 003 8053	2	Grooved ball bearing 6901-2RS	
7	9455 621 1130	1	Circlip 12x1	
8	4244 540 0300	1	Impeller	
9	9210 421 0900	1	Hexagon nut M6-V2A	
10	9645 945 8126	1	O-ring 48x3.5	
11	4244 701 0506	1	Pump housing, base	
12	9074 478 4145	4	Pan head self-tapping screw IS-P5x32	
13	0000 937 4054	1	Hose 10x2x1070 mm (B)	
14	9771 021 1400	6	Hose clip 14-9	
15	4244 007 1022	1	Set of ULV nozzle	17 - 19
16	4244 770 0200	1	Dosage unit	18
17	4244 770 0202	1	Dosage unit ULV	18
18	9645 945 7522	1	O-ring 11x2	
19	4244 700 8802	1	Strainer	
20	4244 162 3100	1	Coupling element	
21	4244 761 0902	1	Strainer	

(1) SR 430, (2) SR 430-Z, (3) SR 450, (4) SR 450-Z



Serial number

Reference	Qty	Description
1	1	Position of serial number
