

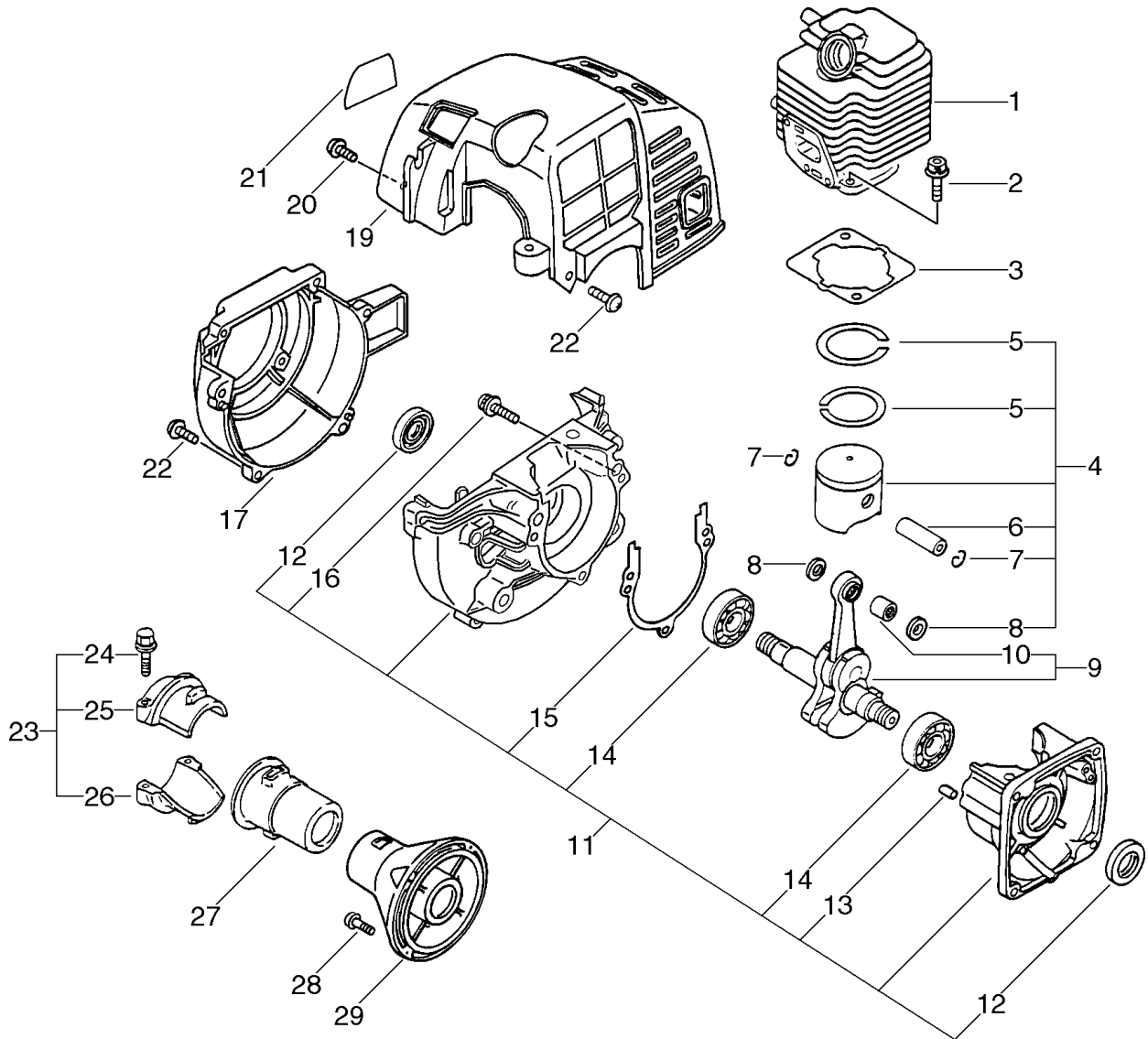


ДЕТАЛИРОВКА

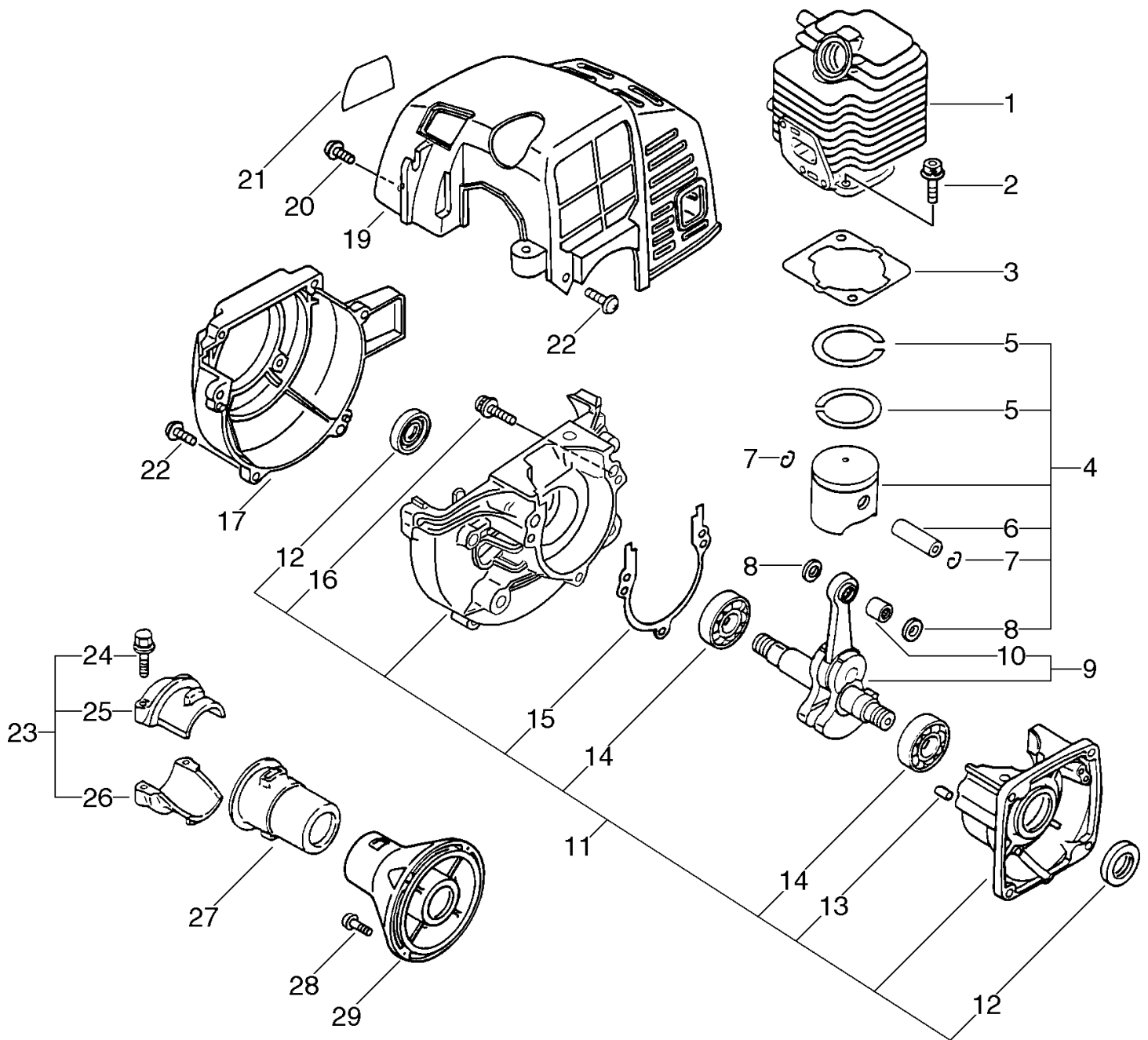
ТРИММЕР

SRM-2305SI

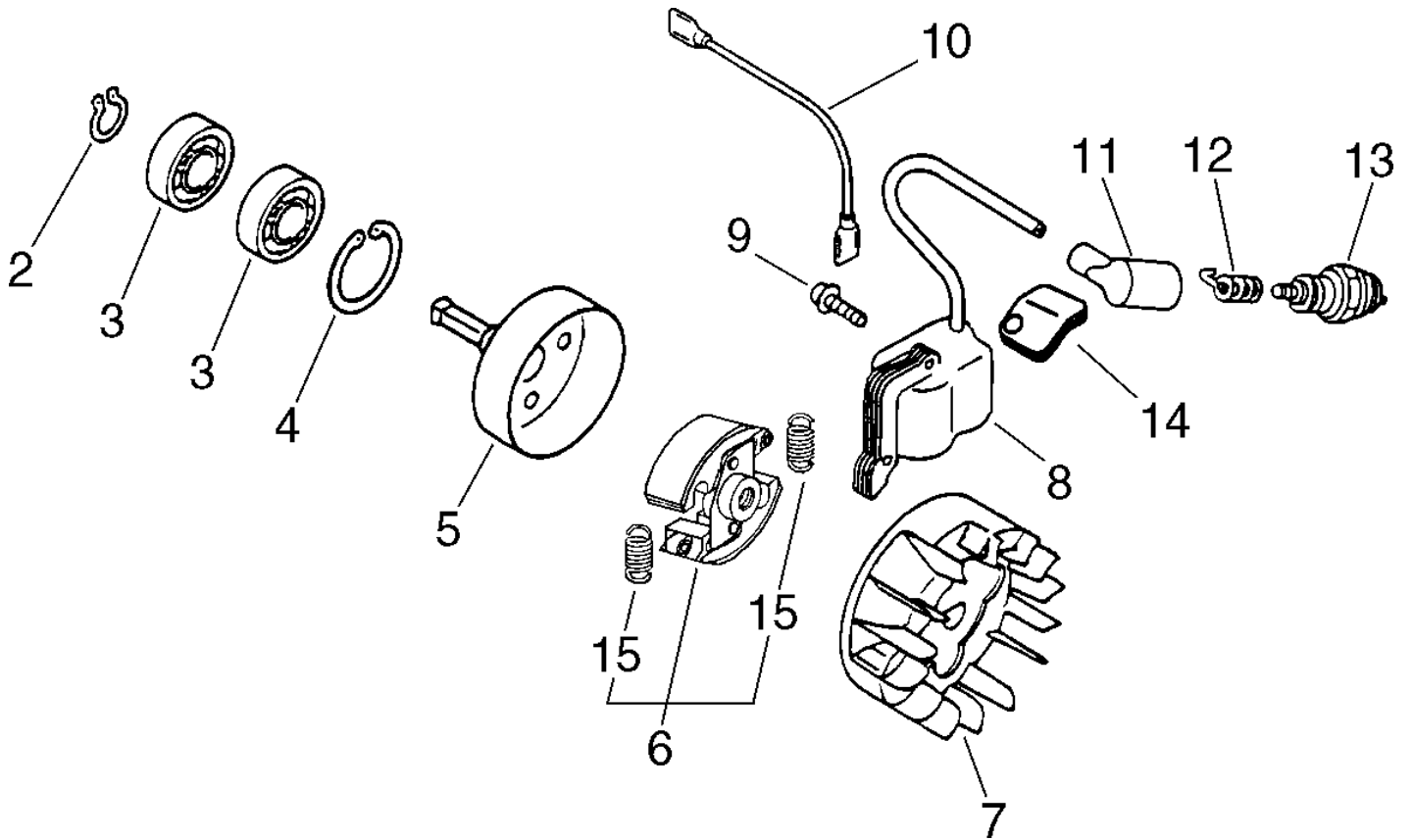
CE



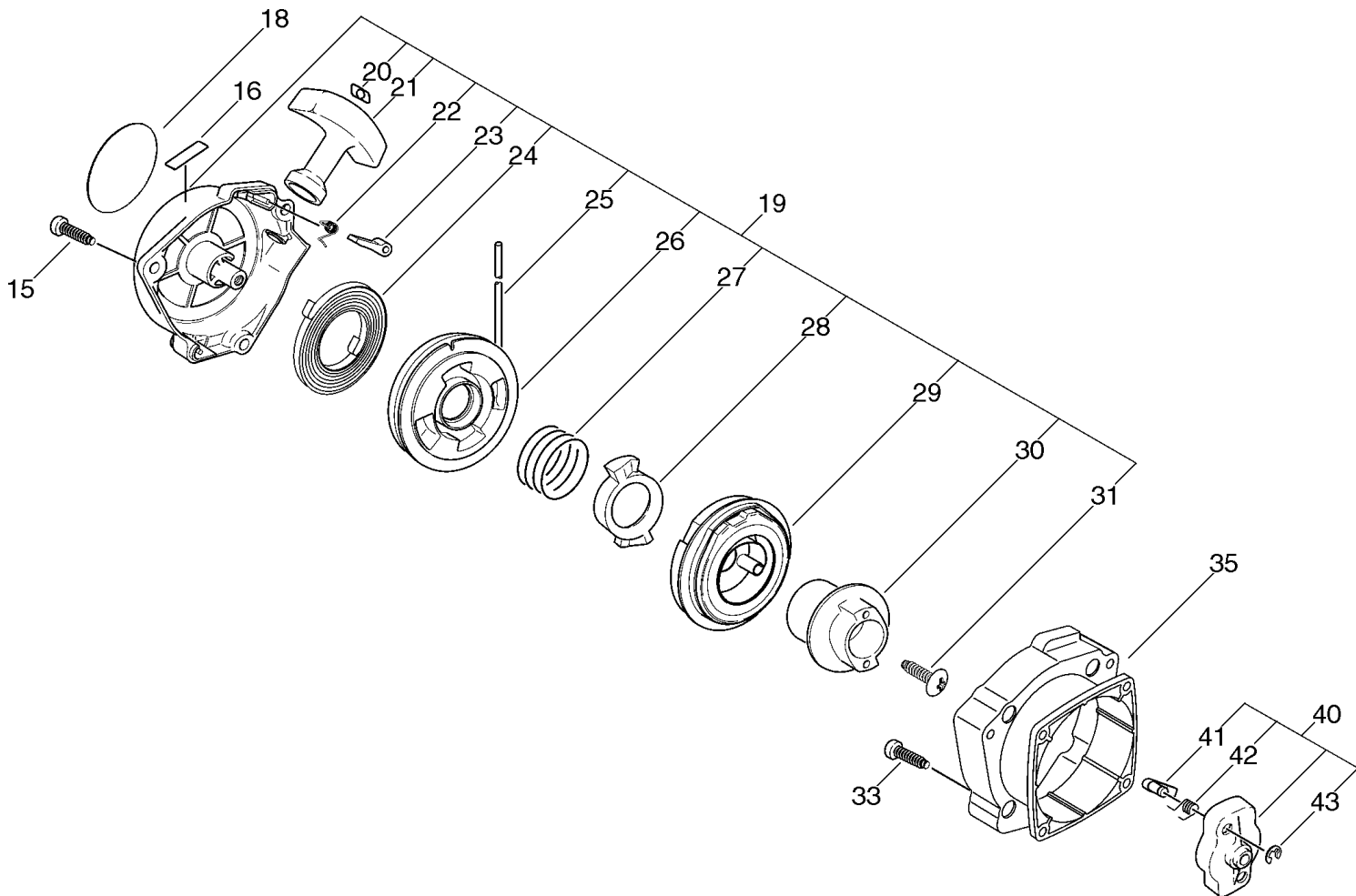
KEY	LV	PART NUMBER	Q'TY	DESCRIPTION	REMARKS
1		101011-06562	1	CYLINDER	
2		900162-05022	2	BOLT, H.S. 5*22	
3		101010-44332	1	GASKET, CYL. BASE	
4		P021-001102	1	PISTON KIT	
5	+	A101-000000	2	RING,PISTON	
6	+	100013-11520	1	PIN, PISTON	
7	+	100015-04630	2	CIRCLIP, PISTON PIN	
8	+	100014-11520	2	SPACER, PISTON PIN	
9		A011-000101	1	CRANKSHAFT,ASM	
10	+	V553-000010	1	BEARING,NEEDLE 8	
11		100204-52132	1	CRANKCASE KIT	
12	+	100212-42031	2	OILSEAL	
13	+	100215-03930	2	PIN, DOWEL	
14	+	94035-36201	2	BEARING BALL	
15	+	100242-42030	1	GASKET, CRANKCASE	
16	+	900162-05028	3	BOLT, H.S. 5*28	
17		101511-44730	1	COVER, FAN (BS)	
19		101514-42031	1	COVER, CYLINDER	
20		900238-04012	2	SCREW 4*12	
21		X547-000650	1	LABEL,ECHO	
22		900238-04016	6	SCREW 4*16	
23		P021-013520	1	HOLDER KIT	
24	+	91118-05025	2	BOLT	
25	+	610922-27432	1	HOLDER	



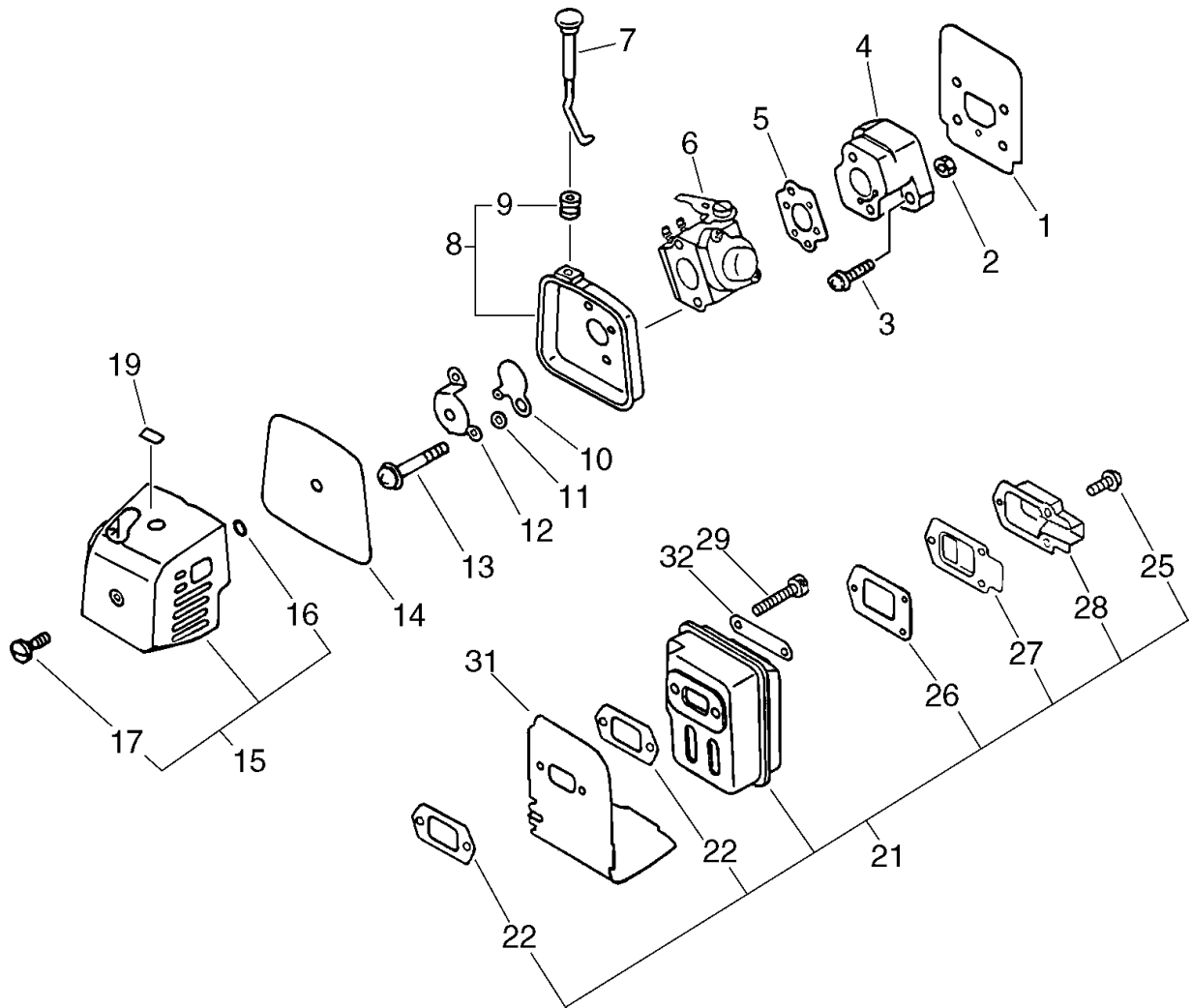
KEY	LV	PART NUMBER	Q'TY	DESCRIPTION	REMARKS
26	+	610923-27432	1	HOLDER	
27		610910-27832	1	CUSHION	
28		900238-05016	4	SCREW 5*16	
29		610223-44730	1	CASE, CLUTCH (BS)	



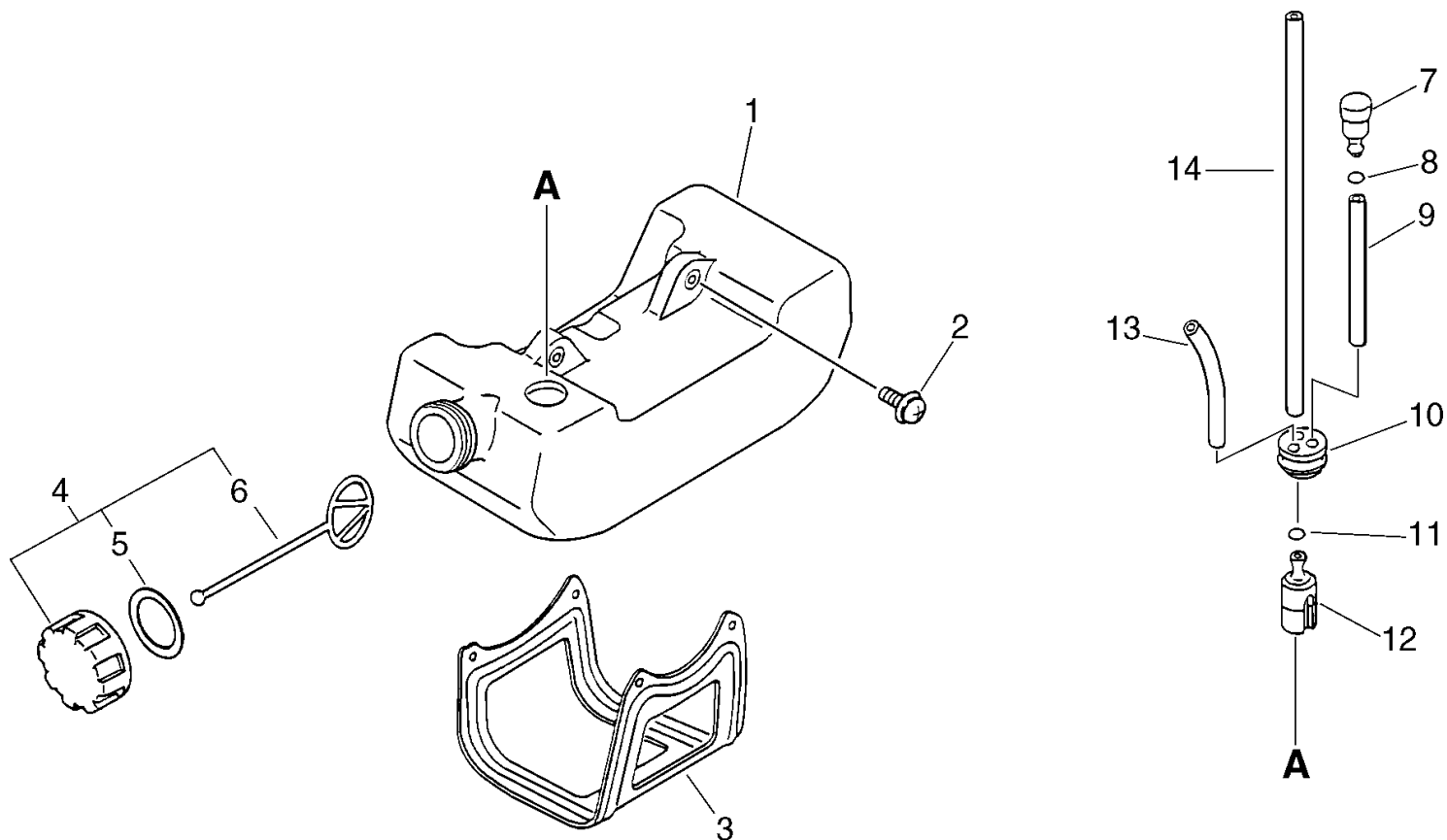
KEY	LV	PART NUMBER	Q'TY	DESCRIPTION	REMARKS
2		900701-00012	1	CIRCLIP 12	
3		900807-06001	2	BEARING, BALL 6001	
4		900702-00028	1	CIRCLIP 28	
5		175005-47630	1	DRUM, CLUTCH	
6		175000-52733	1	CLUTCH ASY	
15	+	175018-52131	2	SPRING, CLUTCH	
7		156801-44731	1	FLYWHEEL	
8		156601-52130	1	COIL, IGNITION	
9		900162-04022	2	BOLT, H.S. 4*22	
10		162010-52830	1	LEAD, GROUND	
11		159012-03433	1	CAP, SPARK PLUG	
12		159011-03432	1	COIL, SPARK PLUG	
13		159010-10230	1	PLUG, SPARK (BPMR-7A	
14		150112-42030	1	BUSHING	



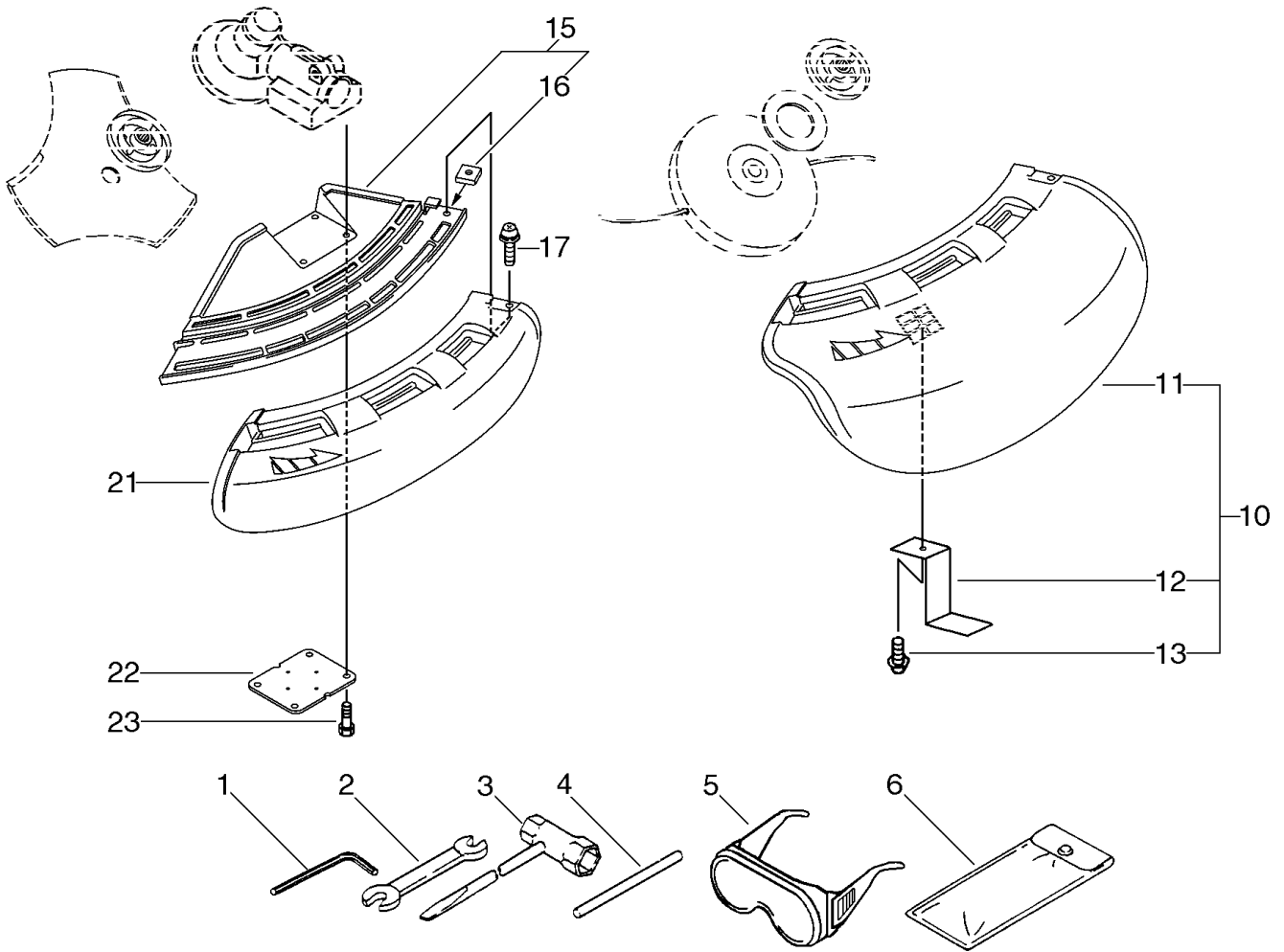
KEY	LV	PART NUMBER	Q'TY	DESCRIPTION	REMARKS
15		900253-05020	3	SCREW 5*20	
16		X505-000620	1	LABEL,CAUTION	
18		X502-000460	1	LABEL,ECHO	
19		A051-000292	1	STARTER,RECOIL	
20	+	177246-11120	1	CLIP, STARTER ROPE	
21	+	177228-27030	1	GRIP, STARTER	
22	+	P022-004610	2	SPRING, RETURN	
23	+	P022-004620	2	PAWL, STARTER	
24	+	P022-004680	1	SPRING, SPIRAL	
25	+	P022-004600	1	ROPE,STARTER	
26	+	P022-004690	1	REEL,ROPE	
27	+	P022-004660	1	SPRING, RETURN	
28	+	P022-004670	1	PAWL, STARTER	
29	+	P022-005230	1	COMPLETE,SPRING	
30	+	P022-004640	1	PLATE,CAM	
31	+	P022-004630	1	SCREW	
33		900238-04016	2	SCREW 4*16	
35		V376-000361	1	SPACER	
40		A052-000130	1	PULLEY,ASM STARTER	
41	+	P022-004740	2	PAWL,STARTER	
42	+	177234-12220	2	SPRING, PAWL	
43	+	P022-002100	2	E-RING	



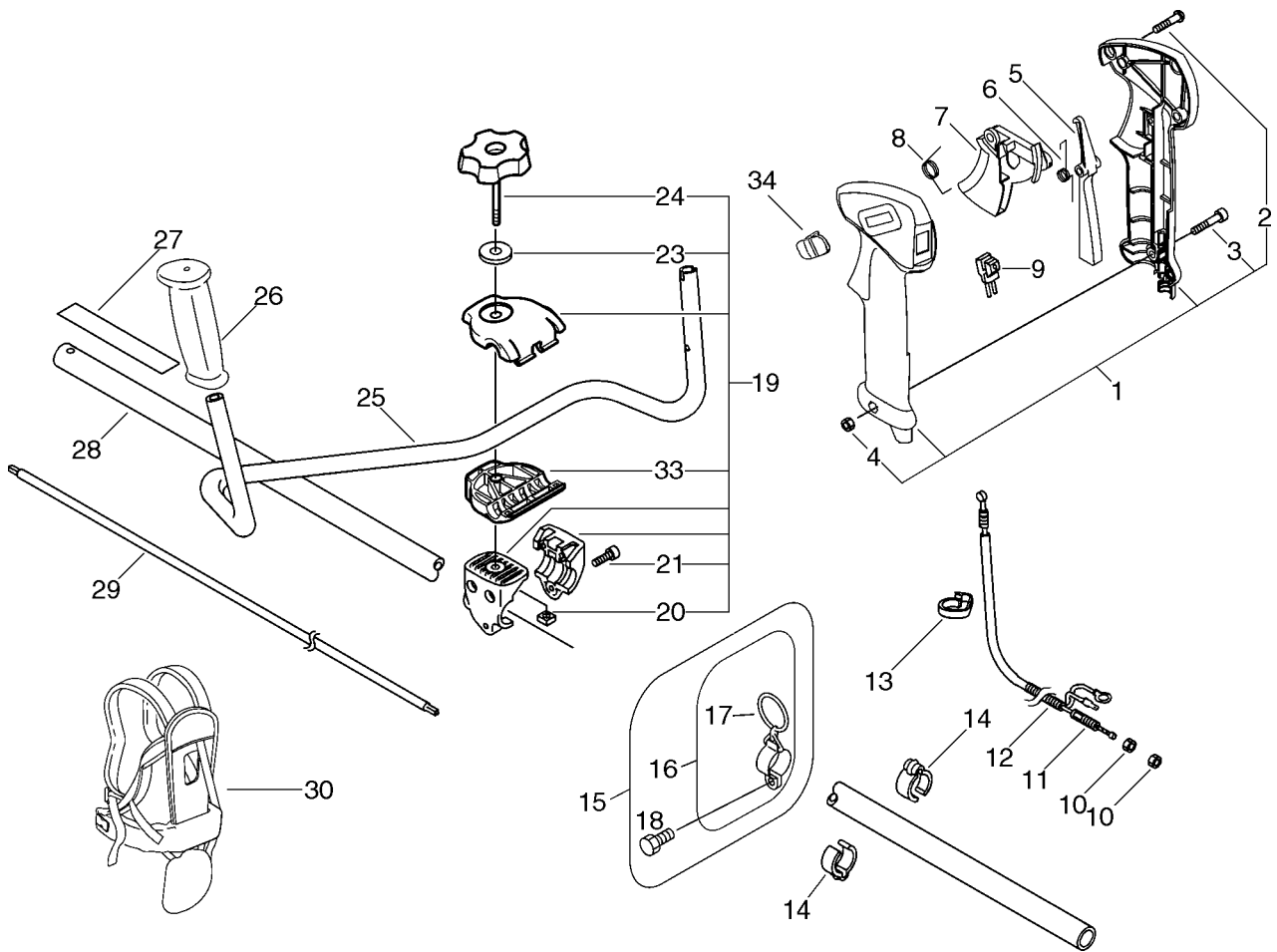
KEY	LV	PART NUMBER	Q'TY	DESCRIPTION	REMARKS
1		130010-42032	1	GASKET,INTAKE	
2		900500-00005	2	NUT 5	
3		900238-05020	2	SCREW 5*20	
4		130017-42031	1	INSULATOR, INTAKE	
5		130016-42031	1	GASKET, INTAKE	
6		125200-52433	1	CARBURETOR	
7		178510-48830	1	ROD, CHOKE	
8		130301-04560	1	CASE, AIR CLEANER	
9	+	178810-05230	1	GROMMET	
10		178515-04560	1	SHUTTER, CHOKE	
11		178516-00830	1	SPACER	
12		130410-44730	1	BRACKET, AIR CLEANER	
13		900242-05057	2	SCREW 5*57	
14		130310-04560	1	FILTER, AIR	
15		130302-50630	1	COVER ASSY, AIR CLN.	
16	+	900720-00004	1	O-RING (P-4)	
17	+	130415-40630	1	SCREW	
19		890121-47530	1	LABEL, CHOKE	
21		P021-000052	1	MUFFLER ASY	
22	+	V104-000160	2	GASKET,EXHAUST	
25	+	900242-04010	3	SCREW 4*10	
26	+	145866-42031	1	GASKET, MUFFLER LID	
27	+	145876-42030	1	LID, MUFFLER (B)	
28	+	145863-42030	1	HOLDER, SCREEN	
29		900105-05055	2	BOLT, H.S. 5*55	
31		A320-000251	1	COVER,MUFFLER	
32		145642-04930	1	WASHER	



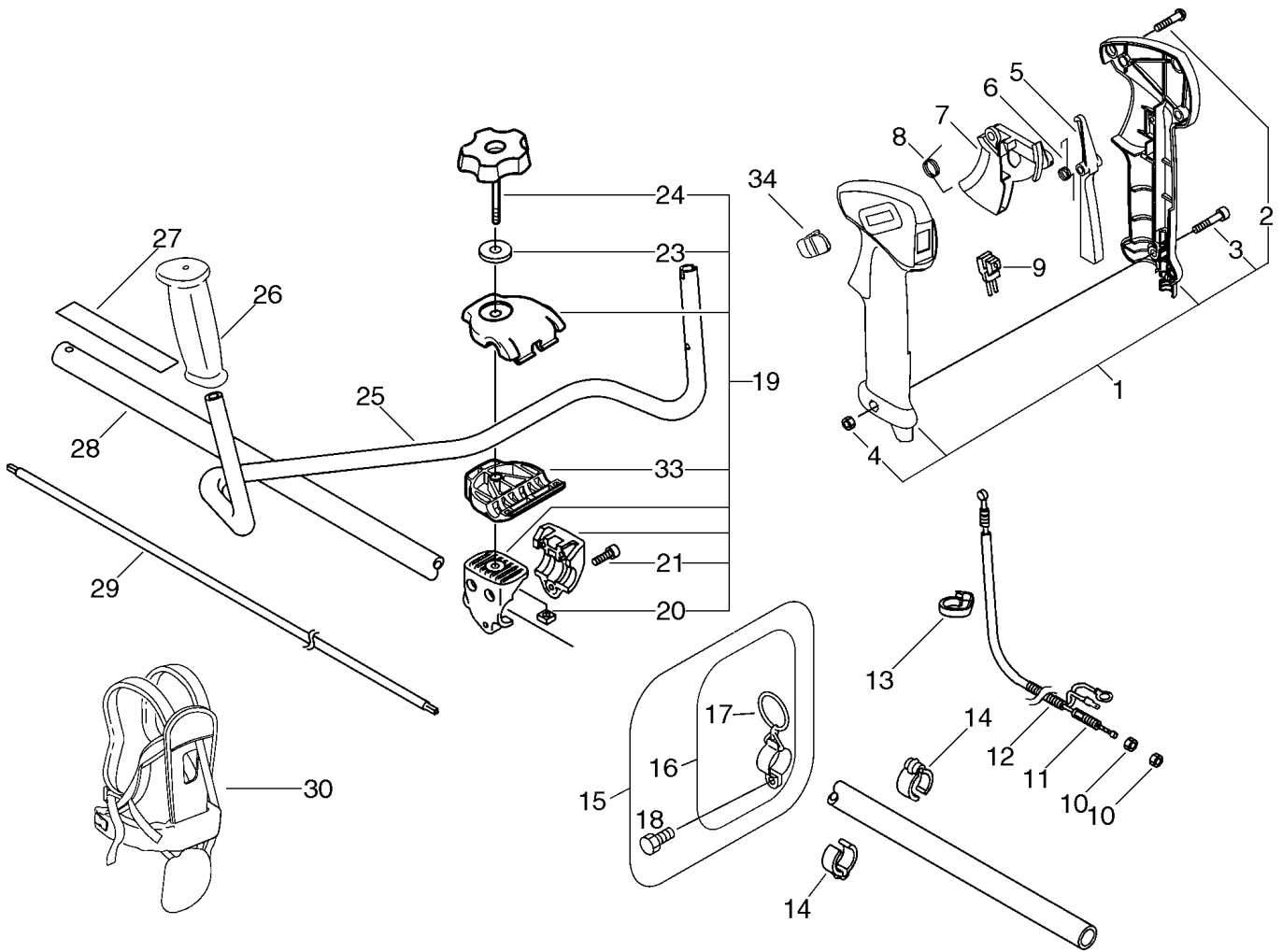
KEY	LV	PART NUMBER	Q'TY	DESCRIPTION	REMARKS
1		131005-44332	1	TANK, FUEL	
2		900243-05016	2	SCREW 5*16	
3		305110-42030	1	STAND (BL)	
4		131004-55530	1	CAP ASSY, FUEL TANK	
5	+	131016-55830	1	GASKET, FUEL CAP	
6	+	131051-56030	1	CLIP, FUEL CAP	
7		131300-56430	1	VALVE, CHECK	
8		130111-00530	1	CLIP	
9		V471-001200	1	PIPE	
10		132115-46730	1	GROMMET, FUEL	
11		132013-09820	1	CLIP	
12		131205-07320	1	STRAINER, FUEL	
13		132010-56330	1	PIPE 3*6*90	
14		V471-001190	1	PIPE	



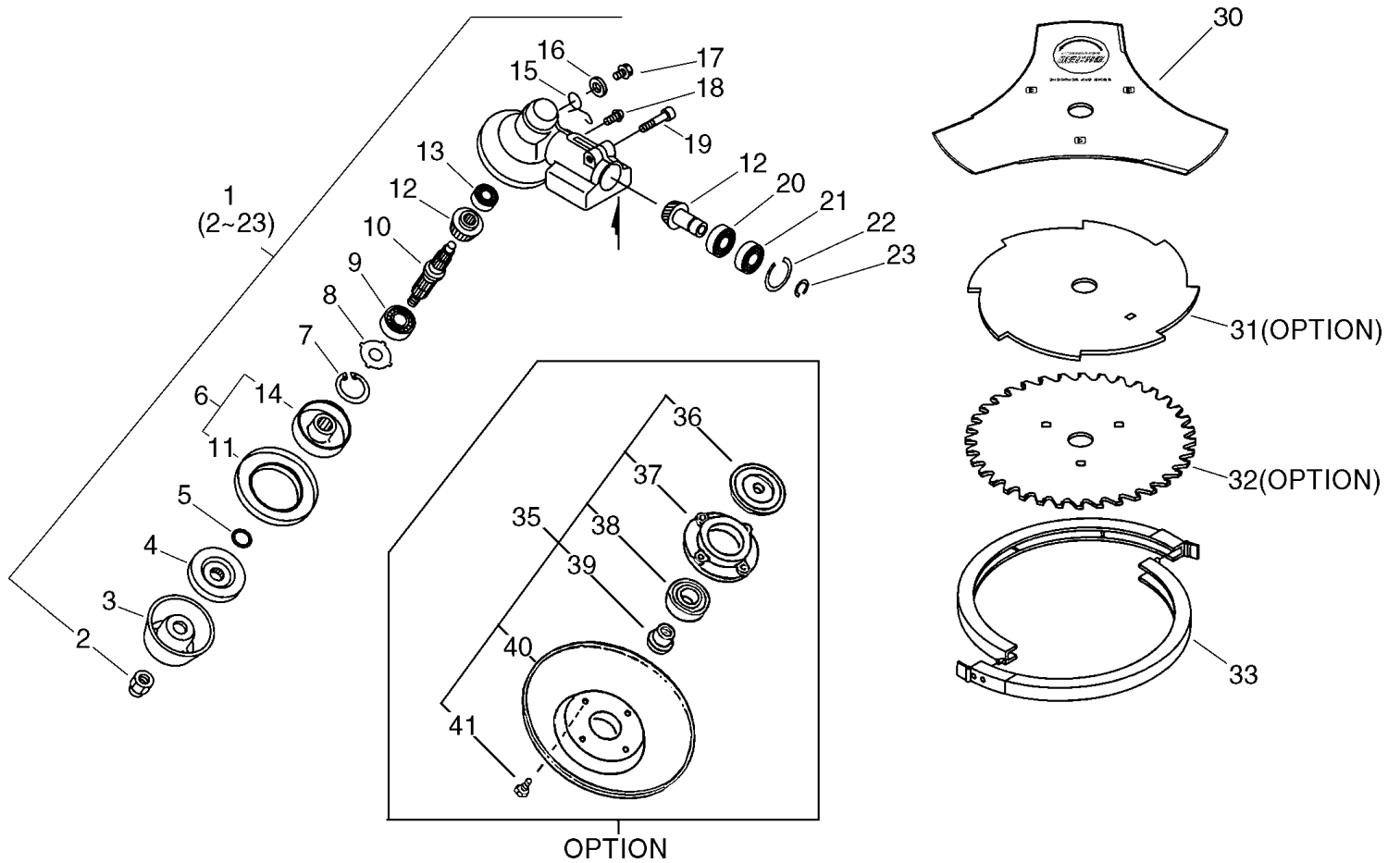
KEY	LV	PART NUMBER	Q'TY	DESCRIPTION	REMARKS
1		895610-00130	1	L-WRENCH (4MM)	
2		895112-00330	1	SPANNER 8*10	
3		X602-000020	1	TOOL,WRENCH	
4		897518-01131	1	LOCKING TOOL	
5		P021-002861	1	GOGGLES	
6		898510-39130	1	BAG, TOOL	
10		P021-002620	1	SHIELD,BLADE(W/KNIFE	
11	+	C550-000080	1	SHIELD,BLADE	
12	+	C554-000000	1	KNIFE,CORD	
13	+	900252-05012	1	SCREW 5*12	
15		C550-000100	1	SHIELD,BLADE	
16	+	900565-00005	1	NUT	
17		900242-05018	1	SCREW 5*18	
21		C550-000090	1	SHIELD,BLADE	
22		699013-56830	1	PLATE, SHIELD	
23		91118-05025	4	BOLT	



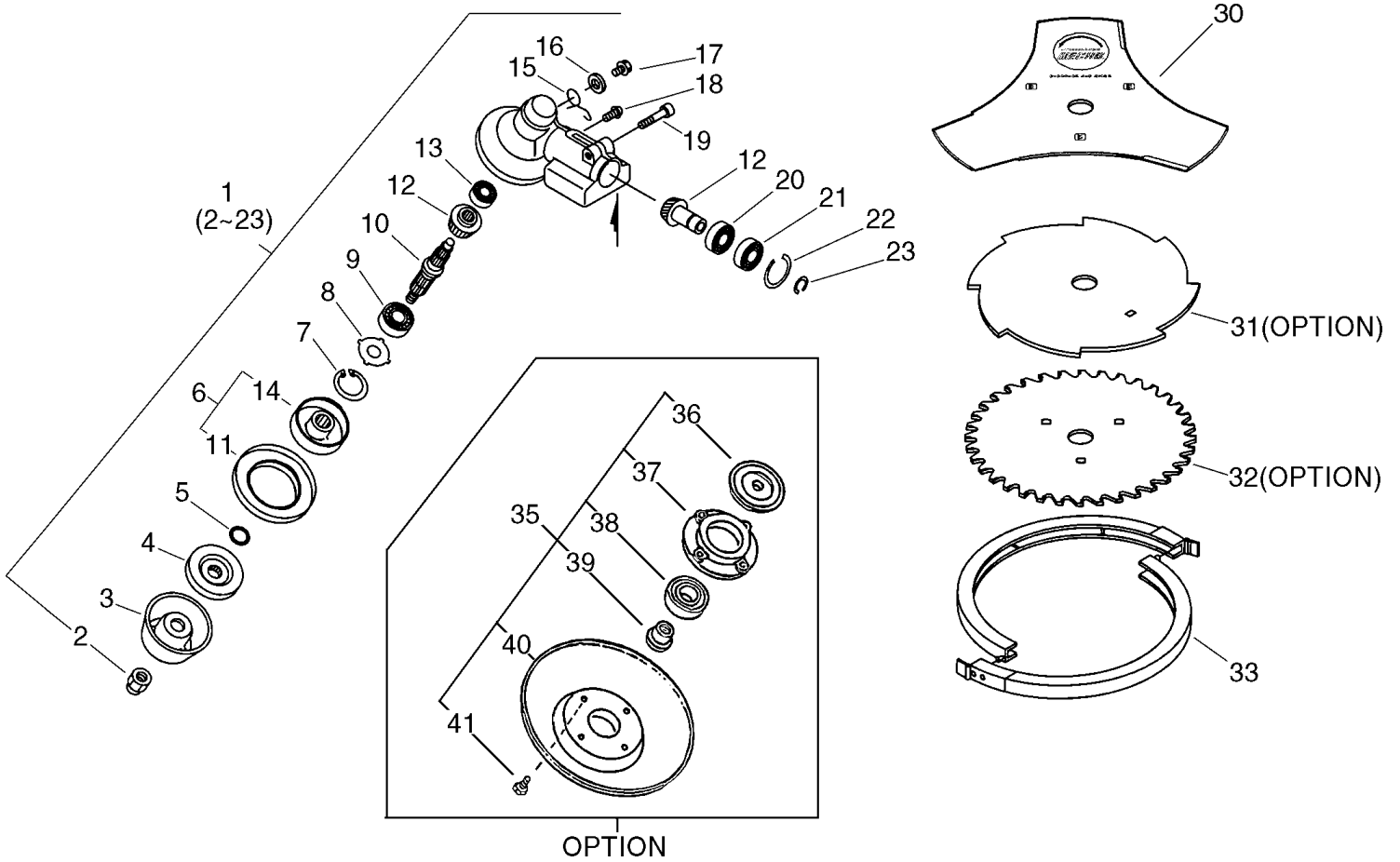
KEY	LV	PART NUMBER	Q'TY	DESCRIPTION	REMARKS
1		P021-002612	1	GRIP ASY,F-HANDLE	
2	+	900253-04016	3	SCREW 4*16	
3	+	900220-05030	1	SCREW 5*30	
4	+	900500-00005	1	NUT 5	
5		C460-000011	1	LOCKOUT,THROTTLE	
6		V452-000130	1	SPRING,TORSION	
7		C450-000022	1	TRIGGER,THROTTLE	
8		V452-000060	1	SPRING,TORSION	
9		163401-49230	1	SWITCH, IGNITION	
10		900502-00006	2	NUT 6 (3N)	
11		V430-000410	1	CABLE,BOWDEN	
12		178127-47530	1	TUBE	
13		159112-09961	1	CLIP	
14		224924-52130	2	CLIP	
15		P021-013000	1	RING, HARNESS ASSY	
16	+	301200-21330	1	HOOK ASS'Y	
17	++	301015-05330	1	HOOK, BAND	
18	+	91119-05012	1	BOLT	
19		P021-012820	1	FIXTURE,ASY HANDLE	
20	+	900565-50008	1	NUT	
21	+	91118-05030	3	BOLT	
23	+	605014-54230	1	WASHER	
24	+	V299-000110	1	KNOB,FASTENER	
33	+	C423-000041	1	FIXTURE,HANDLE	



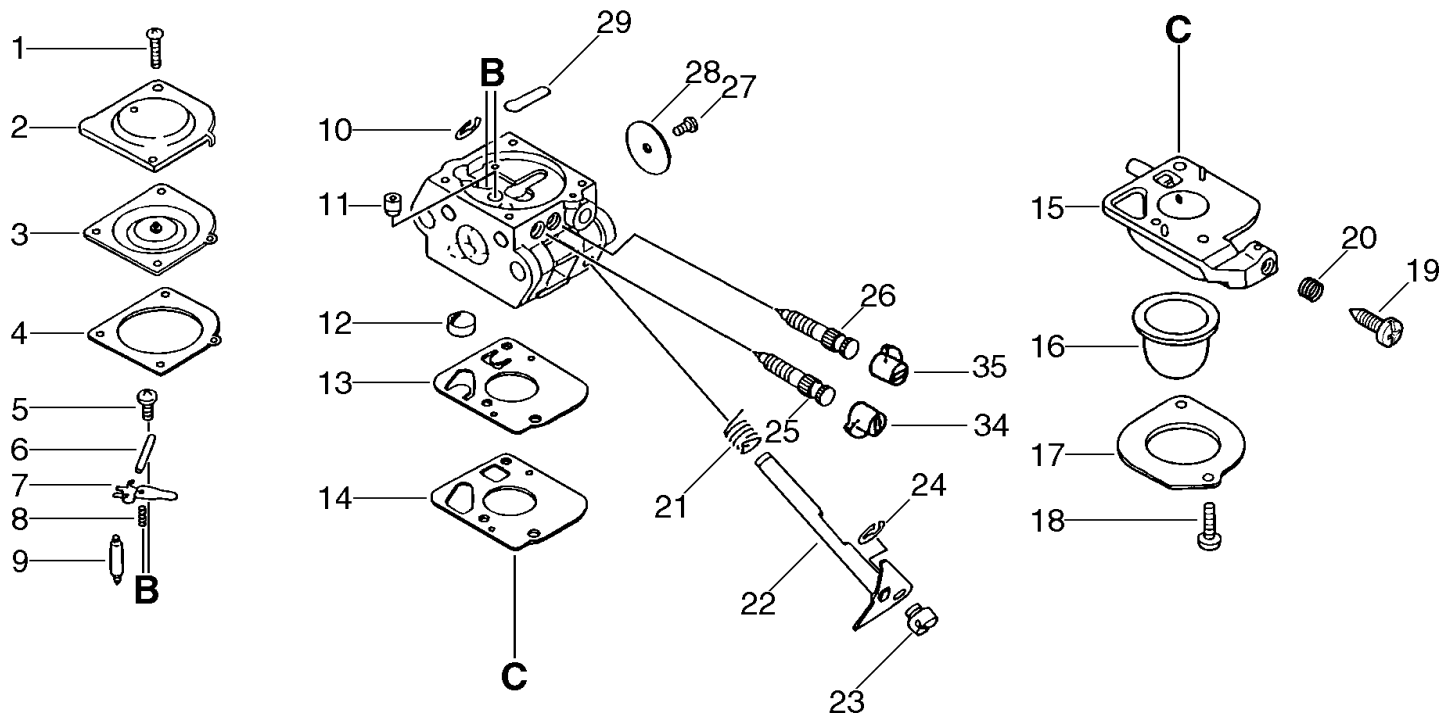
KEY	LV	PART NUMBER	Q'TY	DESCRIPTION	REMARKS
25		C400-000000	1	HANDLE,FRONT	
26		C403-000031	1	GRIP,HANDLE	
27		890617-43130	1	LABEL,CAUTION	
28		610206-28230	1	HOUSING ASS'Y D,SFT.	
29		610018-27830	1	SHAFT, DRIVE	
30		C062-000181	1	HARNESS,SHOULDER	
34		C463-000000	1	KNOB,LATCH	



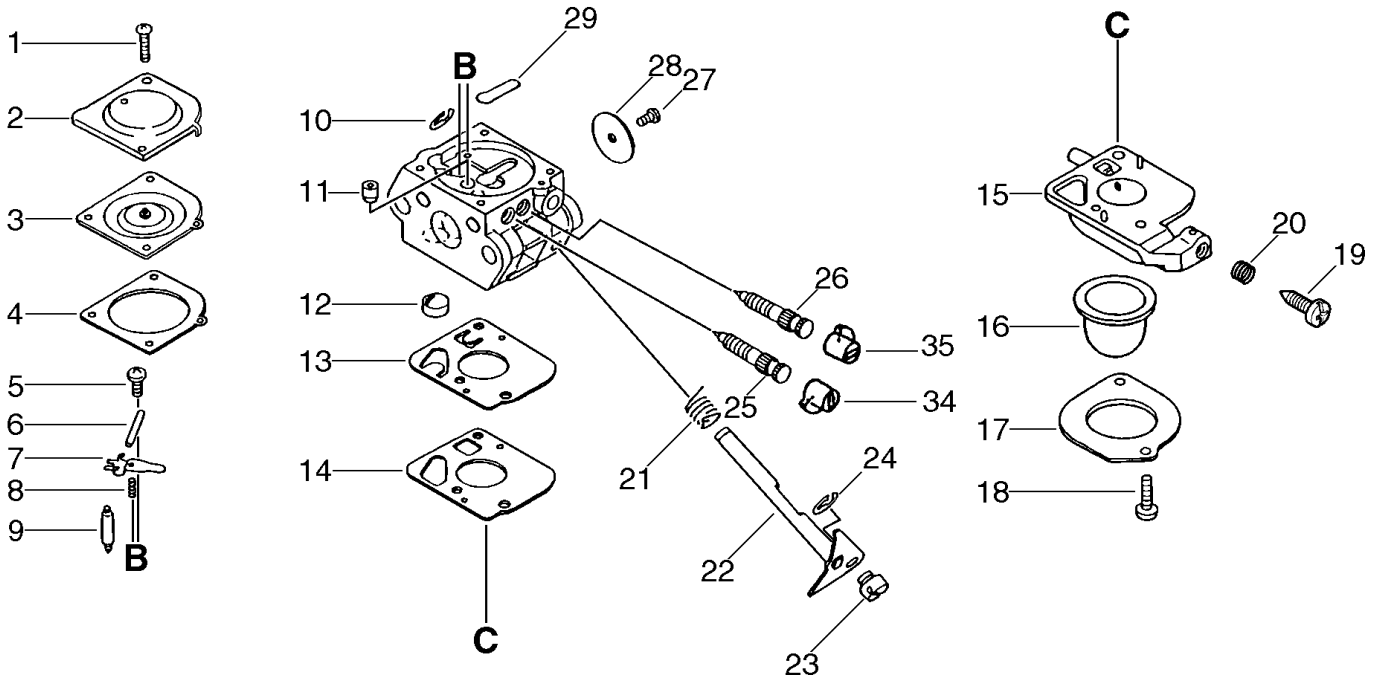
KEY	LV	PART NUMBER	Q'TY	DESCRIPTION	REMARKS
1		P021-012610	1	CASE,GEAR	
2	+	610320-52130	1	NUT 10	
3	+	699229-56830	1	PLATE, COVER	
4	+	610314-52130	1	PLATE, ADAPTER (L)	
5	+	900720-00012	1	O-RING 12	
6	+	C535-000001	1	FIXTURE, BLADE	
11	++	610352-56830	1	PLATE, CUP	
14	++	C535-000011	1	FIXTURE, BLADE	
7	+	900702-00032	1	CIRCLIP 32	
8	+	610444-56830	1	WASHER	
9	+	900812-06201	1	BEARING, BALL 6201	
10	+	610310-56830	1	SHAFT, P.T.O.	
12	+	610300-40830	1	GEAR SET	
13	+	900810-00626	1	BEARING, BALL 626	
15	+	610473-52131	1	SPRING	
16	+	900603-50008	1	WASHER	
17	+	610434-50031	1	BOLT 8*8	
18	+	900242-05010	1	SCREW 5*10	
19	+	91118-06025	1	BOLT	
20	+	900855-06900	1	BEARING, BALL 6900	
21	+	900858-06900	1	BEARING, BALL 6900Z	
22	+	900702-00022	1	CIRCLIP 22	
23	+	900706-00010	1	CIRCLIP 10	
30		X405-000011	1	SAW, BUSH CUTTER	



KEY	LV	PART NUMBER	Q'TY	DESCRIPTION	REMARKS
33		P021-007470	1	SCABBARD, BLADE	
OPTION					
31		696001-44731	1	BLADE, 8-CUTTER 9IN	
32		695001-44731	1	SAW, CIRCULAR 9*80T	
35		699200-56830	1	CAP ASSY, FREE	
36	+	610313-56830	1	PLATE, ADAPTER (U)	
37	+	699226-05430	1	HOLDER, BEARING	
38	+	900814-06202	1	BEARING, BALL 6202	
39	+	699227-04630	1	NUT	
40	+	699228-08930	1	PLATE, COVER	
41	+	900141-05012	4	BOLT 5*12	



KEY	LV	PART NUMBER	Q'TY	DESCRIPTION	REMARKS
		125200-52433	1	CARBURETOR	
1	+	125344-52130	2	SCREW	
2	+	125342-52130	1	COVER, DIAPHRAGM	
3	+	125341-49030	1	DIAPHRAGM	
4	+	125340-51030	1	GASKET, DIAPHRAGM	
5	+	125339-42030	1	SCREW	
6	+	125338-13930	1	PIN, METERING ARM	
7	+	125323-42030	1	LEVER, METERING	
8	+	125322-11520	1	SPRING, COIL	
9	+	125337-06960	1	VALVE, INLET NEEDLE	
10	+	125327-15130	1	CLIP	
11	+	P005-001050	1	NOZZLE, CHECK VALVE	
12	+	125326-42030	1	STRAINER	
13	+	125312-12820	1	DIAPHRAGM, FUEL PUMP	
14	+	125325-13310	1	GASKET, PUMP	
15	+	P005-000590	1	BASE, ASY PRIMER	
16	+	125381-08660	1	PUMP, PRIMING	
17	+	125363-11610	1	RING	
18	+	125310-11610	2	SCREW	
19	+	125334-06960	1	SCREW, THROTTLE ADJUST	
20	+	125333-06960	1	SPRING, IDLE ADJUSTER	
21	+	125313-42030	1	SPRING, THRT. RETURN	
22	+	P005-000390	1	SHAFT, THROTTLE	
23	+	125372-42030	1	SWIVEL	



KEY	LV	PART NUMBER	Q'TY	DESCRIPTION	REMARKS
24	+	125327-13930	1	CLIP	
25	+	P005-001710	1	SCREW,MAINN MIXTURE	
26	+	P005-001720	1	SCREW, IDLE MIXTURE	
27	+	125314-13930	1	SCREW	
28	+	125316-49030	1	VALVE, THROTTLE	
29	+	125345-15130	1	PLUG, WELCH	

KEY	LV	PART NUMBER	Q'TY	DESCRIPTION	REMARKS
		125303-13310	1	DIAPHRAGM/GASKET KIT	
903	+	125341-49030	1	DIAPHRAGM	
904	+	125340-51030	1	GASKET, DIAPHRAGM	
913	+	125312-12820	1	DIAPHRAGM, FUEL PUMP	
914	+	125325-13310	1	GASKET, PUMP	
		P005-001810	1	REBUILD KIT	
903	+	125341-49030	1	DIAPHRAGM	
904	+	125340-51030	1	GASKET, DIAPHRAGM	
906	+	125338-13930	1	PIN, METERING ARM	
907	+	125323-42030	1	LEVER, METERING	
908	+	125322-11520	1	SPRING, COIL	
909	+	125337-06960	1	VALVE, INLET NEEDLE	
912	+	125326-42030	1	STRAINER	
913	+	125312-12820	1	DIAPHRAGM, FUEL PUMP	
914	+	125325-13310	1	GASKET, PUMP	
929	+	125345-15130	1	PLUG, WELCH	

Index

Parts Number	Key No.	Parts Number	Key No.	Parts Number	Key No.
A011-000101	1 - 9	V430-000410	7 - 11	125340-51030	9 - 904
A051-000292	3 - 19	V452-000060	7 - 8	125341-49030	9 - 3
A052-000130	3 - 40	V452-000130	7 - 6	125341-49030	9 - 903
A101-000000	1 - 5	V471-001190	5 - 14	125342-52130	9 - 2
A320-000251	4 - 31	V471-001200	5 - 9	125344-52130	9 - 1
C062-000181	7 - 30	V553-000010	1 - 10	125345-15130	9 - 29
C400-000000	7 - 25	X405-000011	8 - 30	125345-15130	9 - 929
C403-000031	7 - 26	X502-000460	3 - 18	125363-11610	9 - 17
C423-000041	7 - 33	X505-000620	3 - 16	125372-42030	9 - 23
C450-000022	7 - 7	X547-000650	1 - 21	125381-08660	9 - 16
C460-000011	7 - 5	X602-000020	6 - 3	130010-42032	4 - 1
C463-000000	7 - 34	100013-11520	1 - 6	130016-42031	4 - 5
C535-000001	8 - 6	100014-11520	1 - 8	130017-42031	4 - 4
C535-000011	8 - 14	100015-04630	1 - 7	130111-00530	5 - 8
C550-000080	6 - 11	100204-52132	1 - 11	130301-04560	4 - 8
C550-000090	6 - 21	100212-42031	1 - 12	130302-50630	4 - 15
C550-000100	6 - 15	100215-03930	1 - 13	130310-04560	4 - 14
C554-000000	6 - 12	100242-42030	1 - 15	130410-44730	4 - 12
P005-000390	9 - 22	101010-44332	1 - 3	130415-40630	4 - 17
P005-000590	9 - 15	101011-06562	1 - 1	131004-55530	5 - 4
P005-001050	9 - 11	101511-44730	1 - 17	131005-44332	5 - 1
P005-001710	9 - 25	101514-42031	1 - 19	131016-55830	5 - 5
P005-001720	9 - 26	125200-52433	4 - 6	131051-56030	5 - 6
P005-001810	10 -	125200-52433	9 -	131205-07320	5 - 12
P021-000052	4 - 21	125303-13310	10 -	131300-56430	5 - 7
P021-001102	1 - 4	125310-11610	9 - 18	132010-56330	5 - 13
P021-002612	7 - 1	125312-12820	9 - 13	132013-09820	5 - 11
P021-002620	6 - 10	125312-12820	9 - 913	132115-46730	5 - 10
P021-002861	6 - 5	125313-42030	9 - 21	145642-04930	4 - 32
P021-007470	8 - 33	125314-13930	9 - 27	145863-42030	4 - 28
P021-012610	8 - 1	125316-49030	9 - 28	145866-42031	4 - 26
P021-012820	7 - 19	125322-11520	9 - 8	145876-42030	4 - 27
P021-013000	7 - 15	125322-11520	9 - 908	150112-42030	2 - 14
P021-013520	1 - 23	125323-42030	9 - 7	156601-52130	2 - 8
P022-002100	3 - 43	125323-42030	9 - 907	156801-44731	2 - 7
P022-004600	3 - 25	125325-13310	9 - 14	159010-10230	2 - 13
P022-004610	3 - 22	125325-13310	9 - 914	159011-03432	2 - 12
P022-004620	3 - 23	125326-42030	9 - 12	159012-03433	2 - 11
P022-004630	3 - 31	125326-42030	9 - 912	159112-09961	7 - 13
P022-004640	3 - 30	125327-13930	9 - 24	162010-52830	2 - 10
P022-004660	3 - 27	125327-15130	9 - 10	163401-49230	7 - 9
P022-004670	3 - 28	125333-06960	9 - 20	175000-52733	2 - 6
P022-004680	3 - 24	125334-06960	9 - 19	175005-47630	2 - 5
P022-004690	3 - 26	125337-06960	9 - 9	175018-52131	2 - 15
P022-004740	3 - 41	125337-06960	9 - 909	177228-27030	3 - 21
P022-005230	3 - 29	125338-13930	9 - 6	177234-12220	3 - 42
V104-000160	4 - 22	125338-13930	9 - 906	177246-11120	3 - 20
V299-000110	7 - 24	125339-42030	9 - 5	178127-47530	7 - 12
V376-000361	3 - 35	125340-51030	9 - 4	178510-48830	4 - 7

Index

Parts Number	Key No.	Parts Number	Key No.	Parts Number	Key No.
178515-04560	4 - 10	900242-05010	8 - 18		
178516-00830	4 - 11	900242-05018	6 - 17		
178810-05230	4 - 9	900242-05057	4 - 13		
224924-52130	7 - 14	900243-05016	5 - 2		
301015-05330	7 - 17	900252-05012	6 - 13		
301200-21330	7 - 16	900253-04016	7 - 2		
305110-42030	5 - 3	900253-05020	3 - 15		
605014-54230	7 - 23	900500-00005	4 - 2		
610018-27830	7 - 29	900500-00005	7 - 4		
610206-28230	7 - 28	900502-00006	7 - 10		
610223-44730	1 - 29	900565-00005	6 - 16		
610300-40830	8 - 12	900565-50008	7 - 20		
610310-56830	8 - 10	900603-50008	8 - 16		
610313-56830	8 - 36	900701-00012	2 - 2		
610314-52130	8 - 4	900702-00022	8 - 22		
610320-52130	8 - 2	900702-00028	2 - 4		
610352-56830	8 - 11	900702-00032	8 - 7		
610434-50031	8 - 17	900706-00010	8 - 23		
610444-56830	8 - 8	900720-00004	4 - 16		
610473-52131	8 - 15	900720-00012	8 - 5		
610910-27832	1 - 27	900807-06001	2 - 3		
610922-27432	1 - 25	900810-00626	8 - 13		
610923-27432	1 - 26	900812-06201	8 - 9		
695001-44731	8 - 32	900814-06202	8 - 38		
696001-44731	8 - 31	900855-06900	8 - 20		
699013-56830	6 - 22	900858-06900	8 - 21		
699200-56830	8 - 35	91118-05025	1 - 24		
699226-05430	8 - 37	91118-05025	6 - 23		
699227-04630	8 - 39	91118-05030	7 - 21		
699228-08930	8 - 40	91118-06025	8 - 19		
699229-56830	8 - 3	91119-05012	7 - 18		
890121-47530	4 - 19	94035-36201	1 - 14		
890617-43130	7 - 27				
895112-00330	6 - 2				
895610-00130	6 - 1				
897518-01131	6 - 4				
898510-39130	6 - 6				
900105-05055	4 - 29				
900141-05012	8 - 41				
900162-04022	2 - 9				
900162-05022	1 - 2				
900162-05028	1 - 16				
900220-05030	7 - 3				
900238-04012	1 - 20				
900238-04016	1 - 22				
900238-04016	3 - 33				
900238-05016	1 - 28				
900238-05020	4 - 3				
900242-04010	4 - 25				



KIORITZ CORPORATION

7-2 SUEHIROCHO 1-CHOME, OHME, TOKYO 198-8711, JAPAN
PHONE: 81-428-32-6118. FAX: 81-428-32-6145.

ECHO[®]

200704 No.64-042(640441)