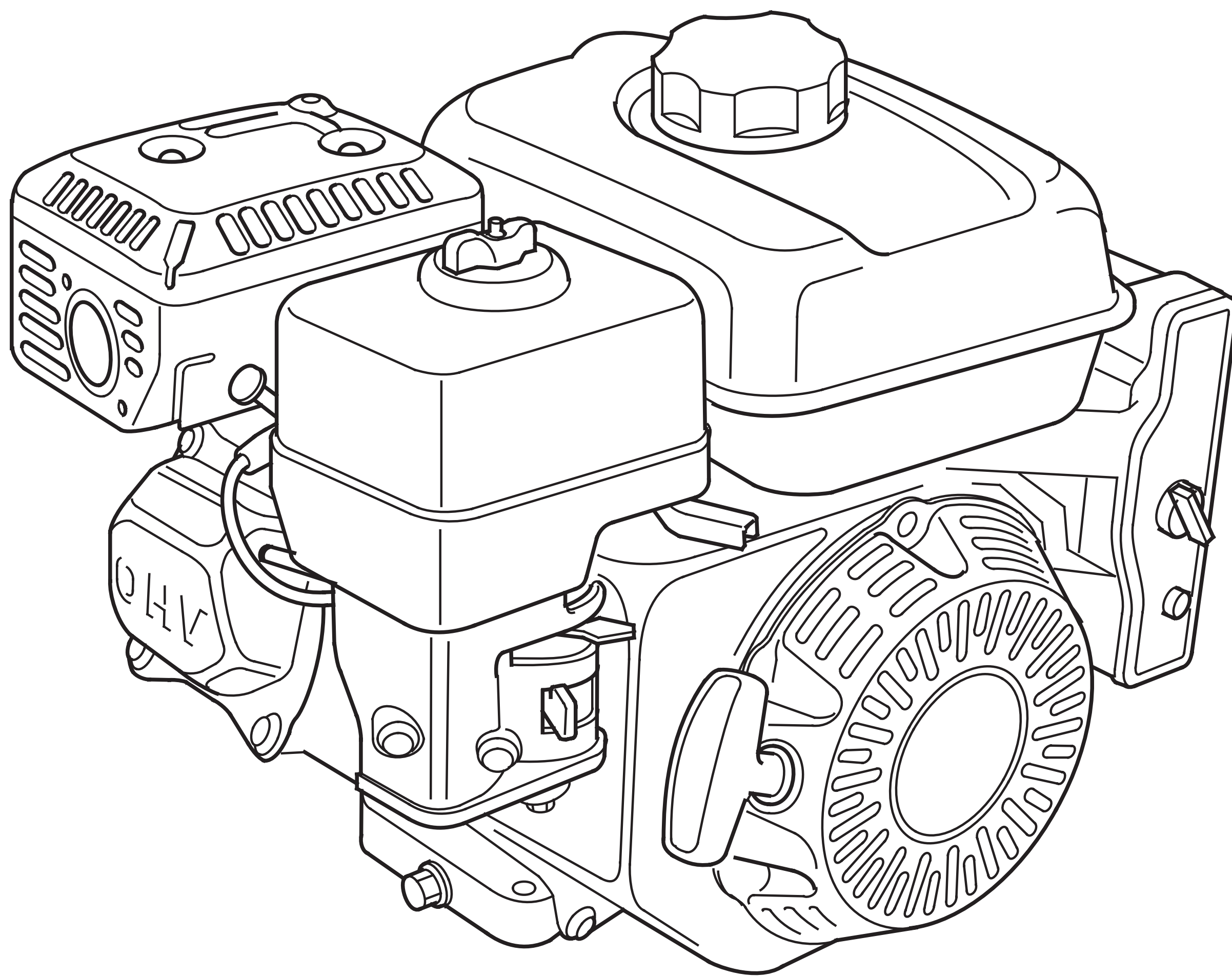


KIPOR

PARTS CATALOG

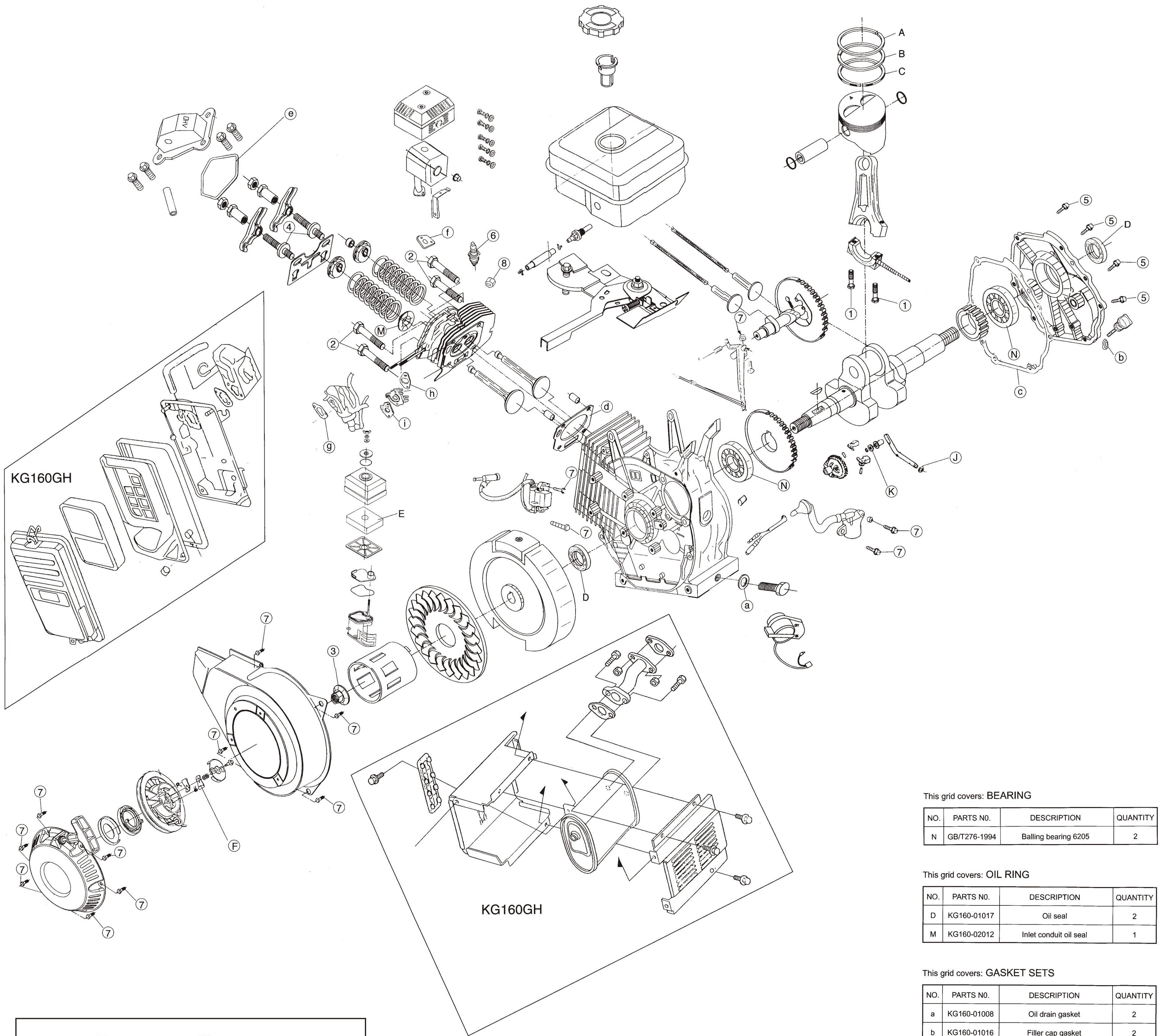


GASOLINE ENGINE
KG160

This catalog covers:
KG160

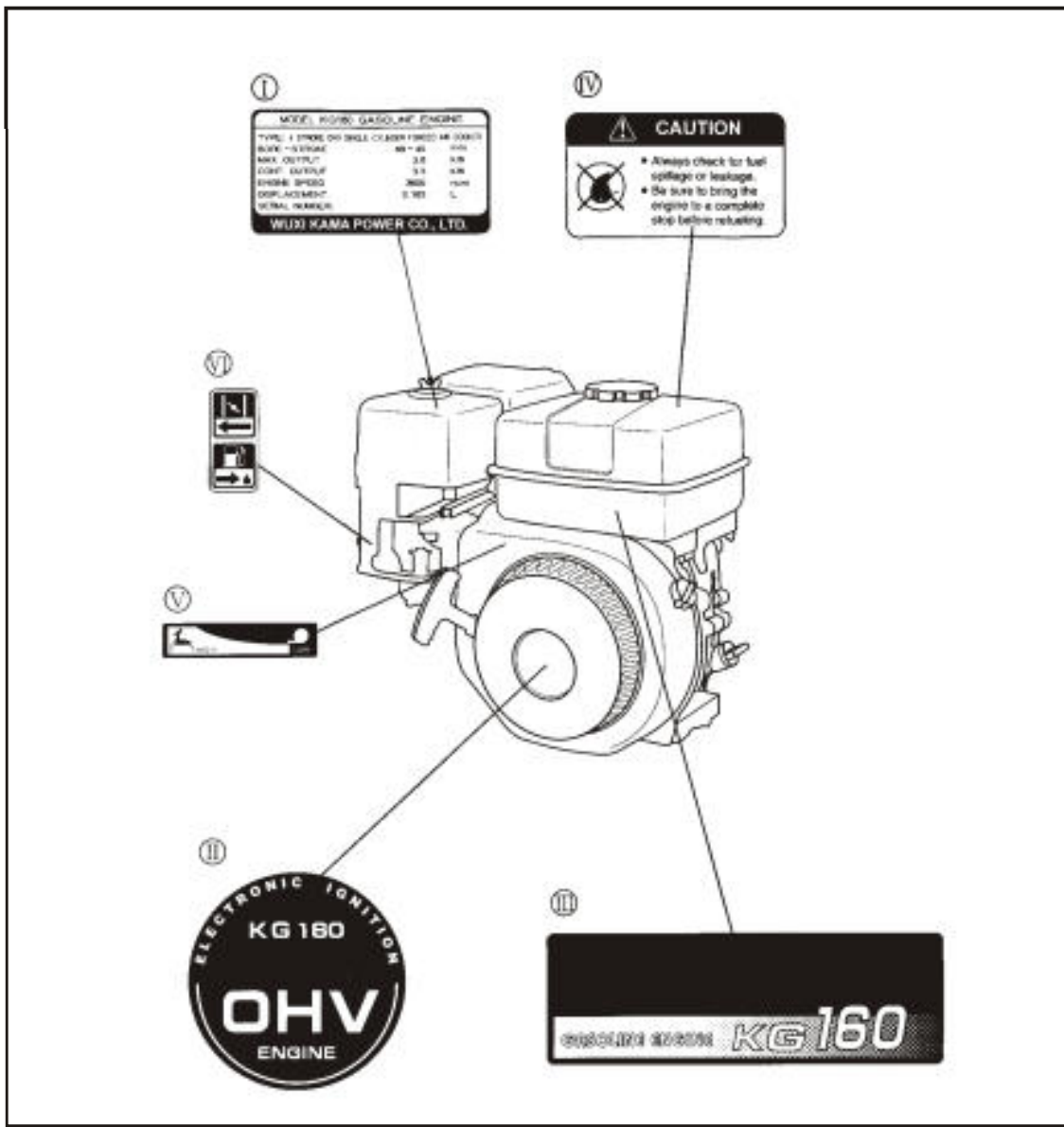
PARTS CATALOG

GASOLINE ENGINE
KG160



KG160GH

KG160GH



CAUTION
 The structure presented in this parts catalog may be different somewhat from that of our updated products in future.
 Please refer to the operation manual while using it.

This grid covers: EASILY WEARING PARTS

NO.	PARTS NO.	DESCRIPTION	QUANTITY	POSITION
A	KG160-04001	First air ring	1	(4)Piston connecting rod assembly
B	KG160-04002	Second air ring	1	(4)Piston connecting rod assembly
C	KG160-04100	Oil ring	1	(4)Piston connecting rod assembly
D	KG160-01017	Oil seal	2	(1)Cylinder block assembly
E	KG160-07005	Element	1	(7)Air cleaner assembly
F	KG160-12008	Ratchet	2	(12)Recoil starter/fan cover assembly

This grid covers: TORQUE OF MAIN BOLT & NUT

NO.	DESCRIPTION	TORQUE
ⓐ	Connecting rod bolt	14 ^{±2} / ₀
ⓑ	Cylinder head bolt	30 ± 2
ⓒ	Flywheel nut	80 ⁺¹⁰ / ₀
ⓓ	Rocker arm pivot bolt	24 ^{±2} / ₀
ⓔ	Crankcase cover bolt	23 ^{±2} / ₀
ⓕ	Spark plug	25 ± 2
ⓖ	Standard M6 bolt/nut	10 ^{±2} / ₀

This grid covers: BEARING

NO.	PARTS NO.	DESCRIPTION	QUANTITY
N	GB/T276-1994	Balling bearing 6205	2

This grid covers: OIL RING

NO.	PARTS NO.	DESCRIPTION	QUANTITY
D	KG160-01017	Oil seal	2
M	KG160-02012	Inlet conduit oil seal	1

This grid covers: GASKET SETS

NO.	PARTS NO.	DESCRIPTION	QUANTITY
a	KG160-01008	Oil drain gasket	2
b	KG160-01016	Filler cap gasket	2
c	KG160-01005	Crankcase cover gasket	1
d	KG160-01004	Cylinder head gasket	1
e	KG160-03002	Cylinder head cover gasket	1
f	KG160-02014	Exhaust pipe gasket	1
g	KG160-07007	Carburetor gasket	1
h	KG160-02013	Inlet pipe gasket	1
i	KG160-02018	Carburetor gasket A	1
j	KG160-11006	Gasket	1
k	KG160-11008	Slide sheath gasket	1

This grid covers: TAGS

NO.	PARTS NO.	DESCRIPTION	QUANTITY
I	KG160-15001	Model tag I	1
II	KG160-15002	Model tag II	1
III	KG160-15003	Fuel tank tag	1
IV	KG160-15004	Caution tag	1
V	KG160-15005	Throttle operating tag	1
VI	KG160-15006	Choke operating tag	1

(1) CYLINDER BLOCK ASSEMBLY

NO.	PARTS NO.	DESCRIPTION	QUANTITY
1	KG160-01001	Cylinder block	1
2	KG160-01007	Drain screw plug	2
3	KG160-01008	Gasket of drain screw plug	2
4	KG160-01017	Oil seal	2
5	KG160-01004	Cylinder head cover gasket	1
6	KG160-01003	Cylinder head cover bolt	4
7	KG160-01012	Cylinder head cover aligning pin	2
8	KG160-01011	Crankcase cover aligning pin	2
9	GB/T276-1994	Balling bearing 6205	2
10	KG160-01005	Crankcase cover gasket	1
11	KG160-01006	Crankcase cover	1
12	GB/T5789-1986	Crankcase cover bolt M8 × 33.5	6
13	KG160-01015	Oil filler cap	1
14	KG160-01016	Oil filler cap gasket	2
15	KG160-01009	Governor arm shaft	1
16	KG160-01013	Air inducing plate	1
17	KG160-01100	Air guidance plate	1
18	KG160-01018	Oil filler screw plug	1

(2) CYLINDER HEAD

NO	PARTS NO.	DESCRIPTION	QUANTITY
1	KG160-02016	Rocker arm pivot adjusting nut	2
2	KG160-02008	Rocker arm pivot	2
3	KG160-02009	Air valve rocker arm	2
4	KG160-02007	Rocker arm pivot bolt	2
5	KG160-02011	Push rod guidance plate	1
6	KG160-02003	Adjusting cushion of exhaust valve	1
7	KG160-02002	Exhaust valve spring seat	1
8	KG160-02001	Inlet valve spring seat	1
9	KG160-02006	Valve spring	2
10	KG160-02014	Exhaust pipe gasket	1
11	GB/T6170-2000	Nut M8	2
12	GB/T899-1988	Stud AM8 × 20	2
13	KG160-02100	Cylinder head cover machinery unit	1
14	KG160-02005	Exhaust valve	1
15	KG160-02004	Inlet valve	1
16	KG160-02013	Inlet pipe gasket	1
17	KG160-02015	Inlet pipe stud	2
18	GB/T6177.1-2000	Nut M6	2
19	KG160-02012	Oil seal of inlet valve conduit	1
20	KG160-02017	Insulation cushion of carburetor	1
21	KG160-02018	Carburetor gasket A	1

(3) CYLINDER HEAD COVER

NO	PARTS NO.	DESCRIPTION	QUANTITY
1	KG160-03100	Cylinder head cover unit	1
2	KG160-03001	Rubber pipe	1
3	KG160-03002	Cylinder head cover gasket	1
4	GB/T5789-1986	Bolt M6 × 12	4

(4) PISTON CONNECTING ROD ASSEMBLY

NO	PARTS NO.	DESCRIPTION	QUANTITY
1	KG160-04001	First air ring	1
2	KG160-04002	Second air ring	1
3	KG160-04100	Oil ring	1
4	KG160-04003	Piston	1
5	KG160-04004	Piston pin	1
6	KG160-04005	Retainer ring	2
7	KG160-04201	Connecting rod body	1
8	KG160-04202	Connecting rod cover	1
9	KG160-04203	Connecting rod bolt	2

(6) CAMSHAFT ASSEMBLY

NO	PARTS NO.	DESCRIPTION	QUANTITY
1	KG160-06100	Camshaft	1
2	KG160-06001	Air valve tappet	2
3	KG160-06002	Air valve push rod	2

(7) AIR CLEANER ASSEMBLY

NO	PARTS NO.	DESCRIPTION	QUANTITY
1	KG160-07100	Bottom seat unit	1
2	KG160-07007	Carburetor gasket	1
3	KG160-07006	Element under cover	1
4	KG160-07005	Element	1
5	KG160-07004	Air cleaner upper case	1
6	GB/T3452.1-1992	O-ring 43 × 3.55	1
7	KG160-07003	Air cleaner upper case cover	1
8	KG160-07002	Rubber gasket	1
9	KG160-07001	Plain gasket	1
10	GB/T62-1988	Wing nut M6	1

(9) FUEL OIL SYSTEM

NO	PARTS NO.	DESCRIPTION	QUANTITY
1	KG160-09200	Fuel tank cover	1
2	KG160-09400	Filter screen	1
3	KG160-09100	Fuel tank weldment assem	1
4	KG160-09300	Fuel drain unit	1
5	KG160-09002	Fuel pipe	1
6	KG160-09004	Fuel pipe sheath	1
7	KG160-09003	Hold-down clip	2

(5) CRANKSHAFT ASSEMBLY

NO	PARTS NO.	DESCRIPTION	QUANTITY
1	KG160-05002	Timing gear	1
2	KG200-05001	Crankshaft	1
3	KG160-05007	Woodruff key	1
4	KG160-05003	Variable gear	1
5	KG160-05100	Flywheel unit	1
6	KG160-05006	Impeller	1
7	KG160-05005	Starting ratchet reel	1
8	KG160-05004	Flywheel nut	1

KG160GH

NO	PARTS NO.	DESCRIPTION	QUANTITY
1	KG160G-07001	Air cleaner cover	1
2	KG160G-07002	Element	1
3	KG160G-07003	Bottom cover	1
4	KG160G-07004	Air cleaner gasket	1
5	KG160G-07005	Air cleaner bottom case unit	1

(9) FUEL OIL SYSTEM

NO	PARTS NO.	DESCRIPTION	QUANTITY
1	KG160-09200	Fuel tank cover	1
2	KG160-09400	Filter screen	1
3	KG160-09100	Fuel tank weldment assem	1
4	KG160-09300	Fuel drain unit	1
5	KG160-09002	Fuel pipe	1
6	KG160-09004	Fuel pipe sheath	1
7	KG160-09003	Hold-down clip	2

(12) RECOIL STARTER/FAN COVER ASSEMBLY

NO	PARTS NO.	DESCRIPTION	QUANTITY
1	KG160-12001	Fan cover	1
2	GB/T5789-1986	Bolt M6 × 12	2
3	KG160-12006	Lock bolt	2
4	KG160-12005	Reel cover	1
5	KG160-12004	Steel ring	1
6	KG160-12008	Ratchet	2
7	KG160-12007	Ratchet spring	2
8	KG160-12002	Starter reel	1
9	KG160-12003	Recoil starter spring	1
10	KG160-12100	Starter outside case	1
11	KG160-12009	Starter rope	1
12	KG160-12011	Starter handle	1
13	GB/T5789-1986	Bolt M6 × 8	3

(10) CARBURETOR ASSEMBLY

NO	PARTS NO.	DESCRIPTION	QUANTITY
1	KG160-10001	Carburetor body	1
2	KG160-10002	Pilot jet	1
3	KG160-10003	Throttle stop screw	1
4	KG160-10004	Pilot screw	1
5	KG160-10005	Pilot screw spring	1
6	KG160-10006	O-ring	1
7	KG160-10007	Float pin	1
8	KG160-10008	Float valve	1
9	KG160-10009	Float valve element	1
10	KG160-10011	Float	1
11	KG160-10012	Main nozzle	1
12	KG160-10013	Main jet	1
13	KG160-10014	Float chamber	1
14	GB/T5789-1986	Hexagonal bolt M8 × 10	1

(8) MUFFLER ASSEMBLY

NO	PARTS NO.	DESCRIPTION	QUANTITY
1	KG160-08200	Muffler case weldment assem	1
2	KG160-08100	Muffler weldment assem	1
3	KG160-08300	Spark arrester	1
4	KG160-08001	Supporter	1
5	GB/T65-2000	Screw M5 × 10	5
6	GB/T848-1985	Gasket 5-140HV	5
7	GB/T93-1987	Gasket 5	5

KG160GH

NO	PARTS NO.	DESCRIPTION	QUANTITY
1	KG160G-08100	Exhaust pipe weldment assem	1
2	GB/T5789-1986	Bolt M6 × 15	2
3	KG160G-08001	Muffler gasket	1
4	KG160G-08200	Muffler outside frame weldment assem	1
5	KG160G-08300	Muffler weldment assem	1
6	KG160G-08400	Muffler inside frame weldment assem	1
7	KG160G-08002	Muffler sheet gasket	1
8	GB/T5789-1986	Bolt M6 × 12	2

(11) GOVERNOR AND CONTROL SYSTEM

NO	PARTS NO.	DESCRIPTION	QUANTITY
1	KG160-11200	Throttle control assembly	1
2	KG160-11003	Governor spring	1
3	GB/T6177.1-2000	Nut M6	1
4	KG160-11007	Bolt	1
5	KG160-11011	Governor arm	1
6	KG160-11001	Throttle return spring	1
7	KG160-11002	Governor rod	1
8	KG160-11012	Snap ring	1
9	KG160-11006	Gasket	1
10	KG160-11005	Speed-limiting push rod	1
11	KG160-11004	Slide sheath	1
12	KG160-11008	Slide sheath gasket	1
13	KG160-11009	Retainer ring	1
14	KG160-11102	Weight	2
15	KG160-11103	Weight pin	2
16	KG160-11104	Variable gear	1

(13) IGNITION SYSTEM

NO	PARTS NO.	DESCRIPTION	QUANTITY
1	GB/T7825-1987	Spark plug BP6ES	1
2	KG160-14100	Ignition winding	1
3	KG160-14200	Engine switch	1
4	GB/T5789-1986	Bolt M6 × 25	2
5	KG160-14300	Low oil alarm	1
6	GB/T5789-1986	Bolt M6 × 16	2