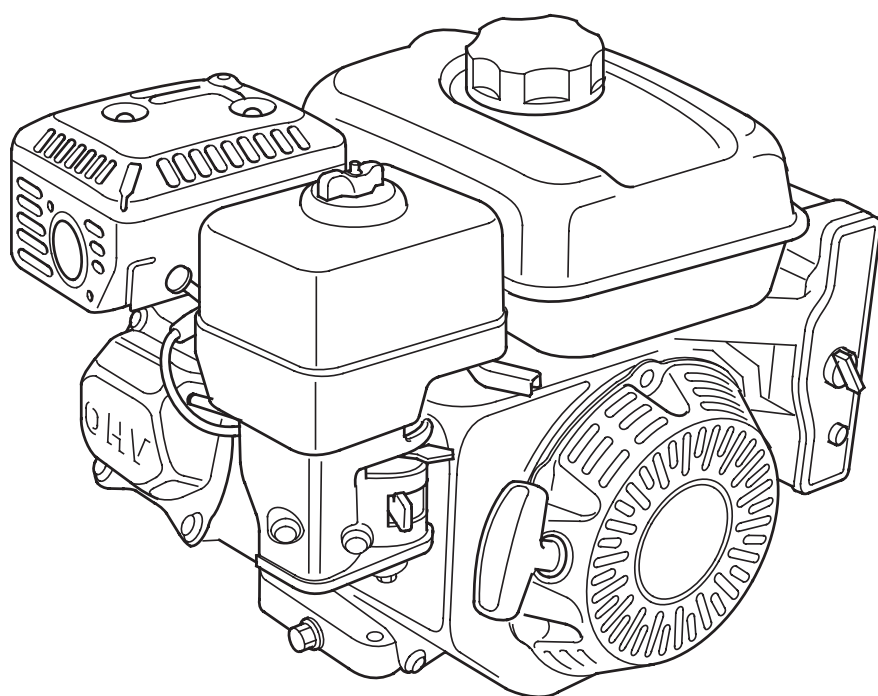


KIPOR

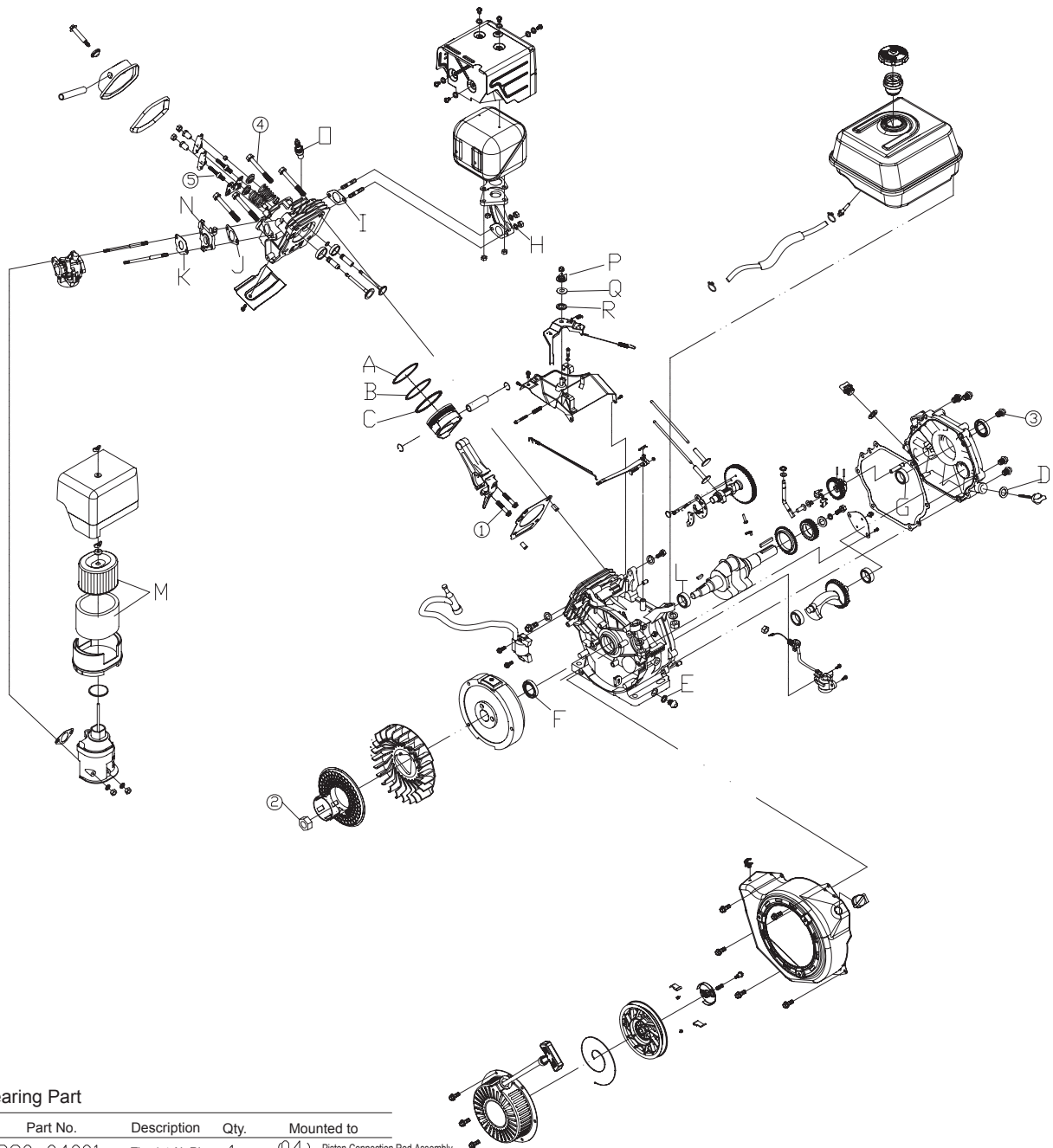
PARTS CATALOG



GASOLINE ENGINE
KG390

ASSEMBLY AND PART DRAWING

KG390



Easy Wearing Part

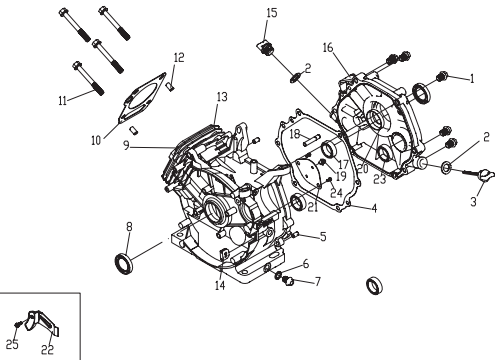
NO.	Part No.	Description	Qty.	Mounted to
A	KG390-04001	The 1st Air Ring	1	(04) Piston Connection Rod Assembly
B	KG390-04002	The 2nd Air Ring	1	(04) Piston Connection Rod Assembly
C	KG390-04100	Oil Ring Part	1	(04) Piston Connection Rod Assembly
D	KG240-01016	Oil Rule Gasket	2	(01) Cylinder Block Assembly
E	KM168F-10008	Oil Drain Screw Gasket	2	(01) Cylinder Block Assembly
F	KM168F-01021	Oil Seal	2	(01) Cylinder Block Assembly
G	GB/T276-1994	Rolling Bearing	1	(01) Cylinder Block Assembly
H	GB/T97.1-1985	Washer	2	(02) Cylinder Cover Assembly
I	KG240-02015	Exhaust Pipe Gasket	1	(02) Cylinder Cover Assembly
J	KG240-02014	Inlet Pipe Gasket	1	(02) Cylinder Cover Assembly
K	KG340-02021	Carburetor Gasket A	1	(02) Cylinder Cover Assembly
L	GB/T276-1994	Rolling Bearing	1	(05) Crankshaft Flywheel Assembly
M	KG340-07100A	Filter Element Part	1	(07) Air Filter Assembly
N	KG240-07004A	Carburetor Washer	1	(07) Air Filter Assembly
□	GB/T825-1987	Spark Plug	1	(14) Ignition System
P	KG240-11203	Tighten Gasket	1	(11) Speed Regulating and Controlling System
Q	KG160-11202	Saddle Type Washer	1	(11) Speed Regulating and Controlling System
R	KG160-11204	Friction Sheet	1	(11) Speed Regulating and Controlling System

Tighten Torque for Main Bolts and Nuts (Unit: N m)

Code	Description	Torque
①	Connection Rod Bolt	20-22
②	Flywheel Nut	125±5
③	Crankcase Cover Bolt	20-23
④	Cylinder Cover Bolt	42-46
⑤	Rocker Arm Bolt M6	20

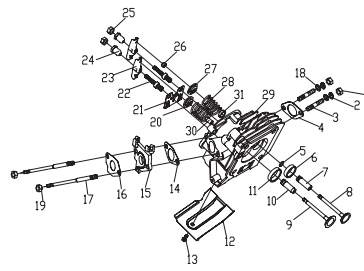
KG390-01000 Cylinder Block Assembly

No.	Part No.	Description	Qty.
1	GB/T5789-1986	Bolt M8X40	7
2	KG240-01016	Oil Rule Gasket	2
3	KG340-01015	Oil Rule	1
4	KG340-01005	Crankcase Cover Gasket	1
5	KG160-01011	Location Pin of Cylinder Cover	2
6	KM168F-10008	Oil Drain Screw Gasket	2
7	KG240-01007	Oil Drain Screw	2
8	KG340-01017	Oil Seal	2
9	KG390-01002	Cylinder Cover	1
10	KG390-01004	Cylinder Cover Gasket	1
11	KG240-01003	Cylinder Cover Bolt	4
12	KG240-01012	Location Pin of Cylinder Cover	2
13	KG390-01001	Cylinder Block	1
14	KG240-01013	Electric wiring Sheath	1
15	KG240-01018	Oil Filler Screw	1
16	KG340-01006	Crankcase Cover	1
17	GB/T276-1994	Rolling Bearing 6207	1
18	KG240-01009	Speed Regulating Shaft	1
19	KG160-01019	Wire Clip	1
20	KG340-01019	Bearing Shell	1
21	KG340-01021	Motor Seal Plat	1
22	KG340E-01022	Wire Pressure Plate	1
23	GB/T276-1994	Rolling Bearing 6202	2
24	GB/T5789-1986	Bolt M8X25	1
25	GB/T5789-1986	Bolt M8X12	1



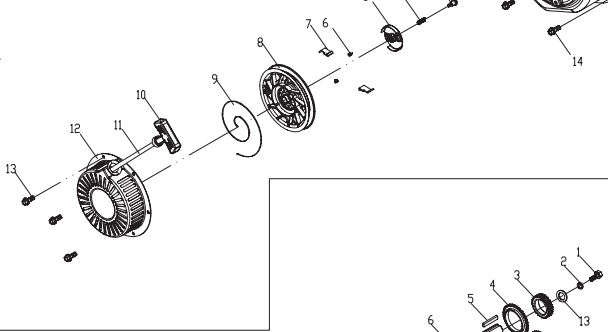
**Cylinder Cover Assembly
KG390-02000**

No.	Part No.	Description	Qty.
1	GB/T6171-2000	Nut M8	2
2	GB/T1971-1985	Washer 8	2
3	KG240-02017	Exhaust Pipe Stud	2
4	KG240-02015	Exhaust Pipe Gasket	1
5	KG240-02104	Oil Retainer Washer of Exhaust Valve Pipe	1
6	KG340-02103	Exhaust Valve Seat	1
7	KG240-02105	Exhaust Valve Pipe	1
8	KG340-02005	Exhaust Valve	1
9	KG340-02004	Inlet Valve	1
10	KG240-02106	Inlet Valve Pipe	1
11	KG340-02102	Inlet Valve Seat	1
12	KG340-02022	Wind Guard	1
13	GB/T5789-1986	Bolt M6X12	1
14	KG340-02014	Inlet Pipe Gasket	1
15	KG390-02019	Carburetor Insulation Block	1
16	KG340-02021	Carburetor Gasket A	1
17	KG340-02016	Inlet Pipe Stud	2
18	GB/T193-1987	Washer 8	2
19	GB/T61771-2000	Nut M6	2
20	KG240-02001	Spring Seat of Inlet Valve	1
21	KG240-02011	Guide Plate of Push Rod	1
22	KG160-02007	Rocker Arm Shaft Bolt	2
23	KG240-02009	Valve Rocker Arm	2
24	KG160-02008	Rocker Arm Shaft	2
25	KG160-02016	Adjusting Nut of Rocker Arm Shaft	2
26	KG240-02003	Adjusting Gasket of Exhaust Valve	1
27	KG240-02002	Spring Seat of Exhaust Valve	1
28	KG240-02006	Valve Spring	2
29	KG340-02101	Cylinder Cover	1
30	KG240-02012	Oil Seal of Inlet Valve Pipe	1
31	KG240-02013	Spring Lower Seat of Exhaust Valve	1



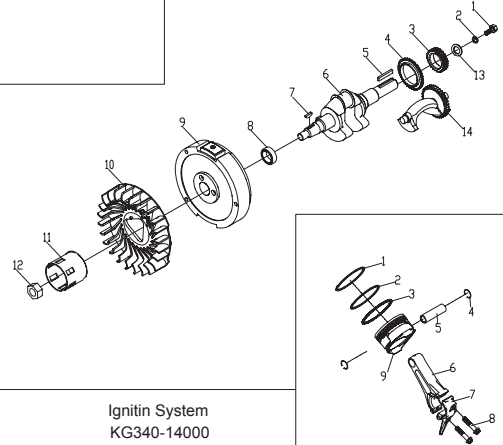
**Recoil Starter and Fan Cover
KG340-12000**

No.	Part No.	Description	Qty.
1	KG240-12001	Oil Supplying Pipe Cap Hood	1
2	KG340-12000	Fan Cover Weldment	1
3	KG240-12006	Tighten Bolt	1
4	KG240-12004	Friction Spring	1
5	KG240-12005	Pallet Guide Plate	1
6	KG240-12007	Pallet Spring	2
7	KG240-12008	Pallet	1
8	KG340-12002	Starter Reel	1
9	KG240-12003	Recoil Starter Spring	1
10	KG240-12011	Starting Handle	1
11	KG340-12009	Starting Pulling Rope	1
12	KG340-12100	Starter Outer Shell Part	1
13	GB/T5789-1986	Bolt M6X8	3
14	GB/T5789-1986	Bolt M6X12	5



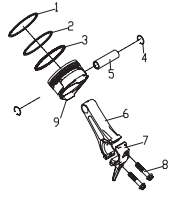
**Crankshaft Flywheel Assembly
KG340-05000**

No.	Part No.	Description	Qty.
1	KM168F-05007	Tighten Bolt of Output End	1
2	GB/T193-1987	Washer 10	1
3	KG340-05002	Timing Gear	1
4	KG340-05003	Driving Gear of Balance Shaft	1
5	GB/T1096-1979	Key 8X40	1
6	KG340-05001	Crankshaft	1
7	KG160-05007	Key	1
8	GB/T276-1994	Rolling Bear 6207	1
9	KG340-05100	Flywheel Part	1
10	KG340-05006	Impeller	1
11	KG340-05200	Starting Pull Wheel Part	1
12	KG240-05004	Flywheel Nut	1
13	KM178F-05008	Output End Washer	1
14	KG340-05005	Balance Shaft	1



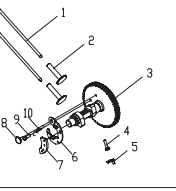
**Piston Connection Rod Assembly
KG390-04000**

No.	Part No.	Description	Qty.
1	KG390-04001	The 1st Air Ring	1
2	KG390-04002	The 2nd Air Ring	1
3	KG390-04100	Oil Ring Part	1
4	KG340-04005	Retainer Ring	2
5	KG340-04004	Piston Pin	1
6	KG340-04201	Connection Rod	1
7	KG340-04202	Connection Rod Cover	1
8	KG240-04203	Connection Rod Bolt	2
9	KG390-04003	Piston	1



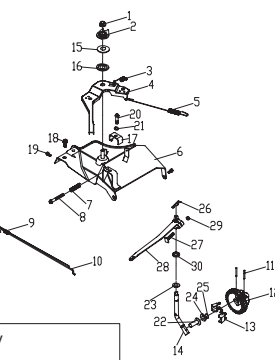
**Camshaft Assembly
KG390-06000**

No.	Part No.	Description	Qty.
1	KG340-06002	Valve Push Rod	2
2	KG240-06001	Valve Tappet	2
3	KG390-06108	Camshaft	1
4	KG240-06106	Fork Pin	1
5	KG240-06107	Fork	1
6	KG240-06101	Rocker Arm	1
7	KG240-06105	Centrifugated Block of Reductor	1
8	KG240-06104	Rocker Arm Pin	1
9	KG240-06102	Relief Spring Pin	1
10	KG160-06103	Pulling Spring	1



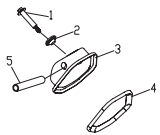
**Speed Adjusting and Controlling System
KG340-11000**

No.	Part No.	Description	Qty.
1	GB/T61771-2000	Nut M6	1
2	KG240-11203	Tighten Gasket	1
3	KG240-11206	Speed Adjusting Spring (I)	1
4	KG340-11201	Speed Adjusting Handle	1
5	KG340-11003	Speed Adjusting Spring	1
6	KG340-11210	Supporting Plate Weldment	1
7	KG160-11205	Adjusting Spring	1
8	GB/T1818-2000	Screw M5X30	1
9	KG240-11001	Idle Adjusting Spring	1
10	KG340-11002	Speed Adjusting Pull Rod	1
11	KG240-11103	Fly Ball Pin	2
12	KG340-11101	Small Gear of Speed Limiter	1
13	KG340-11102	Fly Ball	2
14	KG340-11005	Speed Limitation Push Rod	1
15	KG160-11202	Saddle Type Washer	1
16	KG160-11204	Friction Sheet	1
17	KG160-11208	Pushing Wire Cover	1
18	GB/T5783-2000	Bolt M6X20	1
19	GB/T5789-2000	Bolt M6X12	2
20	GB/T1818-2000	Screw M5X15	1
21	GB/T1971-1983	Washer 6	1
22	KG240-11004	Sliding Bush	1
23	KG160-11006	Gasket	1
24	KG240-11008	Push Rod Gasket	1
25	KG160-11009	Retainer Ring	1
26	KG240-11012	Clip Spring	1
27	KG160-11007	Square Head Bolt	1
28	KG340-11011	Speed Adjusting Arm	1
29	GB/T6187-2000	Nut M6	1
30	KM168F-11008	Oil Seal 81X14X2.6	1



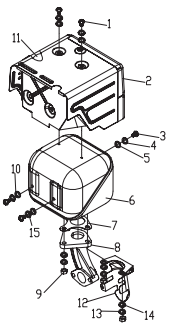
**Cylinder Cover Assembly
KG240-03000**

No.	Part No.	Description	Qty.
1	KG240-03003	Cylinder Cover Tighten Bolt	1
2	KG240-03004	Cylinder Cover Tighten Bolt Washer	1
3	KG240-03100	Cylinder Cover Part	1
4	KG240-03001	Cylinder Cover Seal Ring	1
5	KG240-03002	Ventilating Pipe	1



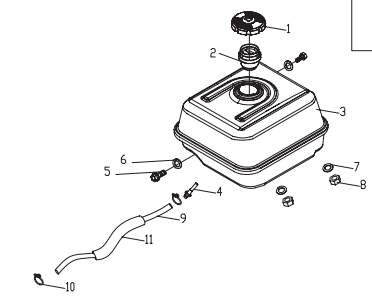
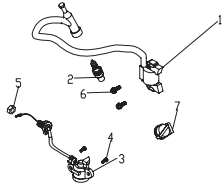
**Muffler Assembly
KG340-08000**

No.	Part No.	Description	Qty.
1	GB/T1818-1985	Cross Plug Head Screw M5X4	4
2	KG270-08200	Cover Shell Weldment	1
3	GB/T1818-1985	Cross Plug Head Screw M5X4	1
4	GB/T1971-1985	Washer 6	1
5	GB/T193-1987	Washer 6	1
6	KG270-08100	Muffler Weldment	1
7	KG240-08002	Muffler Gasket	1
8	KG240-08001	Exhaust Pipe	1
9	GB/T6170-1986	Nut M8	3
10	GB/T1971-1985	Washer 5	4
11	KG270-08300	Spark Arrester	1
12	KG240-08500	Exhaust Pipe Protection Cover Riveting Part	1
13	GB/T1971-1985	Washer 8	3
14	GB/T93-1987	Washer 8	3
15	GB/T93-1987	Washer 5	4



**Fuel System
KG340-09000**

No.	Part No.	Description	Qty.
1	KG160-09200	Fuel Tank Cover Part	1
2	KG160-09400	Filter Trap Part	1
3	KG340-09100	Fuel Tank Weldment	1
4	KG160-09300	Nozzle Assembly	1
5	GB/T5789-1986	Bolt M8X25	2
6	GB/T193-1987	Washer 8	2
7	GB/T1971-1985	Washer 8	2
8	GB/T6170-1986	Nut M8	2
9	KG340-09002	Oil Supplying Pipe	1
10	KG160-09003	Clip Hoop	2
11	KG240-09004	Protection Sheath of Oil Supplying Pipe	1

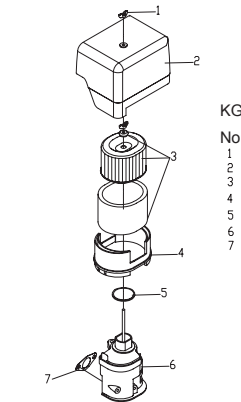


**Starting Motor Assembly
KG340E-15000**

No.	Part No.	Description	Qty.
1	KG340E-15000	Starting Motor Assembly	1
2	GB/T5789-1986	Bolt M8X35	2

**Flywheel Generator Assembly
KG340E-16000**

No.	Part No.	Description	Qty.
1	KG340-16100	Charging Motor Starter Winding Assembly	1
2	GB/T5789-1986	Bolt M6X35	4



KG340-07000a Air Filter Assembly

No.	Part No.	Description	Qty.
1	GB/T62-1988	Butterfly Nut M6	2
2	KG340-07001a	Upper Cover Shell	1
3	KG340-07100a	Filter Element Part	1
4	KG340-07002a	Lower Cover Shell	1
5	KG240-07003a	Seal Gasket	1
6	KG340-07200a	Bottom Seat Part	1
7	KG240-07004a	Carburetor Washer	1

